



SUBMITTAL/TECHNICAL DATA SHEET

DESCRIPTIONS

Three hour fire-rated single leaf panel for use in a ceiling application where control of temperature rise and heat transmission is required. Insulation helps in reducing sound transmission through the door.

SPECIFICATIONS

MATERIAL: Satin finish galvanized steel or 304 stainless steel.

FRAME: 16 ga (1.61 mm) steel up to and including 30" x 48" or 14ga (1.99 mm) steel for larger sizes. Depth "D"= 3-1/4" (83 mm).

FLANGE: Width - 7/8" (22mm) up to and including 36" x 36", for larger sizes 1-1/4" (31.75mm).

DOOR PANEL: 18 ga (1.31mm) galvanized steel with 22 ga (0.85mm) liner.

INSULATION: The door panel contains 2-1/2" (63 mm) of high temperature insulation material.

FINISH: Rust inhibitive off-white prime coat or # 4 stainless steel finish on exterior surface.

HINGES: The concealed continuous rod hinge is designed to secure the door panel. The hinge is placed on the long side of the door ("H" dimension) unless otherwise requested. Doors over 48" in a wall position a continuous piano hinge is standard.

PANEL CLOSER: The automatic panel closer will close and latch the door from an open position of approximately 90° as required by NFPA 80.

LATCH: The standard factory installed latch is a flush mount 1/4" allen key. All fire-rated locks are self-latching and include an interior latch release mechanism allowing the doors to be opened from the inside.

SIZES:
3 Hour Ceilings up to 24 x 36

See separate submittal for the FD Series;
Use this FD3 submittal for larger sizes -
See pg 2 for sizes.

For a complete list of options visit
www.AccessDoorsAndPanels.com

SKU: **FD3C**

3 HR OVERSIZED FIRE-RATED ACCESS PANEL

FOR CEILINGS



DIMENSIONS AND APPEARANCE

>> CLICK TO VIEW ADDITIONAL DETAILS AND PRICING <<

STANDARD SIZES:

Rough Opening = Order Size Height (H) = Hinge Side ✕			Door Size Inches	No. of Latches/ Locks	Weight Kgs
Model	Inches W x H	Metric (mm) W x H			
3 HR CEILINGS					
FD3C-2448	24 x 48	610 x 1219	23-5/8 x 47-5/8	2	30
FD3C-3030	30 x 30	762 x 762	29-5/8 x 29-5/8	1	23
FD3C-3036	30 x 36	762 x 914	29-5/8 x 35-5/8	2	28
FD3C-3048	30 x 48	762 x 1219	29-5/8 x 47-5/8	2	35
FD3C-3232	32 x 32	813 x 813	31-5/8 x 31-5/8	2	26
FD3C-3636	36 x 36	914 x 914	35-5/8 x 35-5/8	2	32

✕ Clear Opening Size = R.O. Width minus 4-1/4", Height minus 1-1/2"

Other sizes available upon request for all Models.

Second dimension given is the hinge side
(shown in Blue) unless otherwise specified.

LATCH AND LOCK OPTIONS		
Standard 1/4" Allen Key (A)	Optional Knurled Knob (KK)	Optional Mortise Lock (MPI)



Intertek

FIRE-RATING INFORMATION

Intertek Warnock Hersey Listed and Labeled:
3 Hour Fire Rating for vertical and horizontal
installation

Temp Rise Max: 43°C/77° F at 30 Min,
149°C/268° F at 60 Min.

Testing Standards:

Vertical: NFPA 252, UL 10B, CAN/ULC S10 4
Horizontal: UBC 43-7, CAN/ULC S112

Optional Smoke Gasket Testing Standards: UL
1784 per NFPA 105, ASTM E152, CAN4 S106,
UBC 7-2, UL 10 (b) NFPA 252 (90- minute)

THIS MODEL ALSO AVAILABLE FOR 3 HOUR
WALLS, AND DOUBLE LEAF
MODELS—SEE SEPARATE SUBMITTALS

For detailed specifications see submittal sheet

PROJECT DATA

Custom Sizes Available - Fast!

PROJECT NAME :	QTY	W	H	OPTIONS
ARCHITECT :				
DEALER :				
CONTRACTOR :				
LOCATION :	SPECIAL INSTRUCTIONS :			
DATE :	SUBMITTAL APPROVAL : (signature or stamp)			
TAGGING INSTRUCTIONS :				

Scan or



To view Pricing and
Additional Product Info.

TELEPHONE:
1-888-457-1275
FAX:
1-888-626-2907



PO BOX 66738 #76520,
SAINT LOUIS, MO
63166-6738
USA

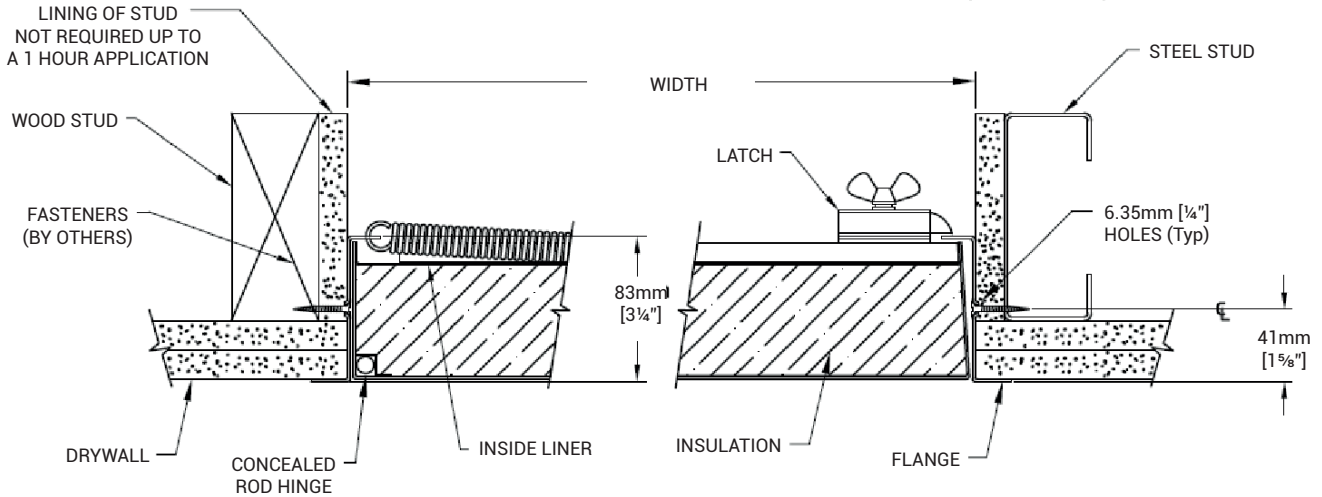


WEBSITE:
www.AccessDoorsAndPanels.com
E-MAIL:
info@AccessDoorsAndPanels.com



FD3C

3 HOUR OVERSIZED FIRE-RATED ACCESS PANEL FOR CEILING



SECTION A-A

