



JL INDUSTRIES

SUBMITTAL/TECHNICAL DATA SHEET

DESCRIPTIONS

A Specialty two hour fire-rated door for laundry or garbage chute access. The wider 1-3/4" Flange covers opening edges and the handle provides easy access to the chute.

SPECIFICATIONS

MATERIAL: Satin finish galvanized steel or 304 stainless steel.

FRAME: 16 ga (1.61mm) steel with mounting holes. Depth "D" = 2-3/4" (70mm).

FLANGE: Width 1-3/4" (45mm) with a 3/8" (9.52mm) return.

DOOR PANEL: 18 ga (1.31mm) with 22 ga (0.85mm) liner.

INSULATION: The door panel contains 1-1/2" (38mm) of high temperature insulation material.

FINISH: Rust-inhibitive off-white prime coat or # 4 polished stainless steel finish on exterior surface.

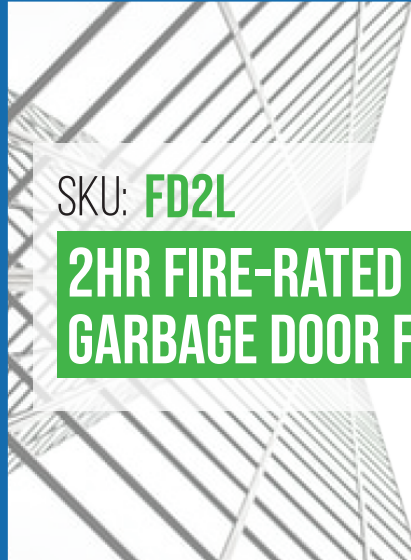
HINGES: The continuous stainless steel piano hinge is designed to secure the door panel and open to 180°. The hinge is placed on the long side of the door ("H" dimension) unless otherwise requested.

PANEL CLOSER: Listed concealed door closure that self-closes and latches the door as required by NFPA 80.

LATCH: The standard factory installed latch is a non-locking (N) chrome "T" handle. Interior latch release optional.

SIZES: Made to Order.
Minimum size is 16" x 16"
Maximum size 30" x 30"

CLEAR OPENING: Width minus 1-1/4",
Height minus 1-1/4".



SKU: **FD2L**

2HR FIRE-RATED LAUNDRY/ GARBAGE DOOR FOR WALLS



DIMENSIONS AND APPEARANCE

>> CLICK TO VIEW ADDITIONAL DETAILS AND PRICING <<

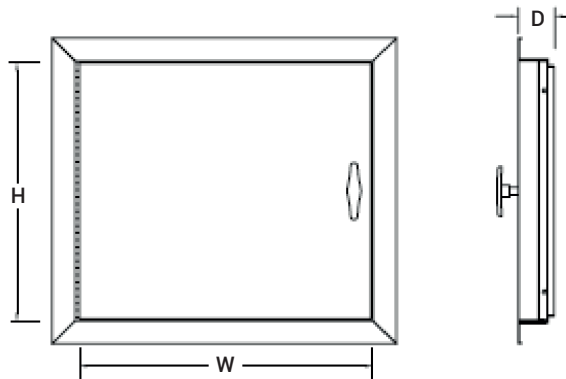
STANDARD SIZES:

Rough Opening = Order Size W x H H = Hinge Side		No. of Latches/ Locks	Weight	
Inches	Metric (mm)		Kgs	Lbs.
16 x 16	406 x 406	1	7.71	17
18 x 18	457 x 457	1	9.07	23
18 x 24	457 x 610	1	11.34	25
22 x 30	559 x 762	1	16.10	37
24 x 24	610 x 610	1	13.60	30
24 x 30	610 x 762	1	17.00	39
30 x 30	762 x 762	1	19.50	43

Clear Opening = W minus 1-1/4" (39mm)
H minus 1-1/4" (39mm)
Minimum size 16" x 16", Maximum size 30" x 30"

Other sizes available upon request.

Second dimension given is the hinge side (shown in Blue) unless otherwise specified.



For detailed specifications see submittal sheet

LATCH AND LOCK OPTIONS

Optional Mortise Lock (MPI)



Intertek

FIRE-RATING INFORMATION

Intertek Warnock Hersey Listed and Labeled:
2 Hour Fire Rating for vertical installation only
Temp Rise Max: 139°C / 250° F at 30 Min 250° C / 450° F at 60 Min.

Testing Standards:

Vertical: NFPA 252, UL 10B, CAN/ULC S104

Optional Smoke Gasket Testing Standards:
UL 1784 per NFPA 105, ASTM E152, CAN4 S106, UBC 7-2, UL 10 (b) NFPA 252 (90-minute)

For a complete list of options visit www.AccessDoorsAndPanels.com

PROJECT DATA

Custom Sizes Available - Fast!

Scan or Click



To view Pricing and Additional Product Info.

PROJECT NAME :	QTY	W	H	OPTIONS
ARCHITECT :				
DEALER :				
CONTRACTOR :				
LOCATION :	SPECIAL INSTRUCTIONS :			
DATE :	SUBMITTAL APPROVAL :			
TAGGING INSTRUCTIONS :	(signature or stamp)			

TELEPHONE:
1-888-457-1275
FAX:
1-888-626-2907



PO BOX 66738 #76520,
SAINT LOUIS, MO
63166-6738
USA



WEBSITE:
www.AccessDoorsAndPanels.com
E-MAIL:
info@AccessDoorsAndPanels.com



SUBMITTAL

TELEPHONE:
1-888-457-1275
FAX:
1-888-626-2907

PO BOX 66738 #76520,
SAINT LOUIS, MO
63166-6738
USA

WEBSITE:
www.AccessDoorsAndPanels.com
E-MAIL:
info@AccessDoorsAndPanels.com

FD2L

2HOUR FIRE-RATED LAUNDRY/GARBAGE DOOR FOR WALLS

