



SUBMITTAL/TECHNICAL DATA SHEET

APPLICATION

Fire-rated access panels for every type of installation meets testing standards: UL10B, CAN/ULC-S104, ASTM E152. Access panels are rated to 1-1/2 hours for 2 hour fire barriers for vertical surfaces in sizes up to 48" x 48" (24" x 48" for Heavy Gauge). All models feature a 2" thick insulated door, slam latch with spring-assisted closer and welded-on masonry anchors. Minimum size 8" x 8".

SPECIFICATIONS

FRAME & TRIM: 16 gauge steel with a 1" flange. Welded-on masonry anchor.

DOOR: 2" thick, insulated 20 gauge steel with continuous hinge.

FINISH: White powder coat paint.

LATCH: Universal turn ring and key lock (U).

SIZES:
Minimum 8" x 8", Maximum 48" x 48".
See Model FD2 for lengths greater than 48".

FIRE-RATING:
Wall Installation: 1-1/2 hour UL"B" label in a 2 hour fire barrier. File # R13067-1. Maximum size 48" x 48".

CSFM: This product has been approved by the California State Fire Marshall (CSFM) pursuant to Section 13144.1 of the California Health and Safety Code. See CSFM Listing No 3330-1223:101 for allowable values and/or conditions for use concerning material presented in this document. It is subject to reexamination, revision and possible cancellation.

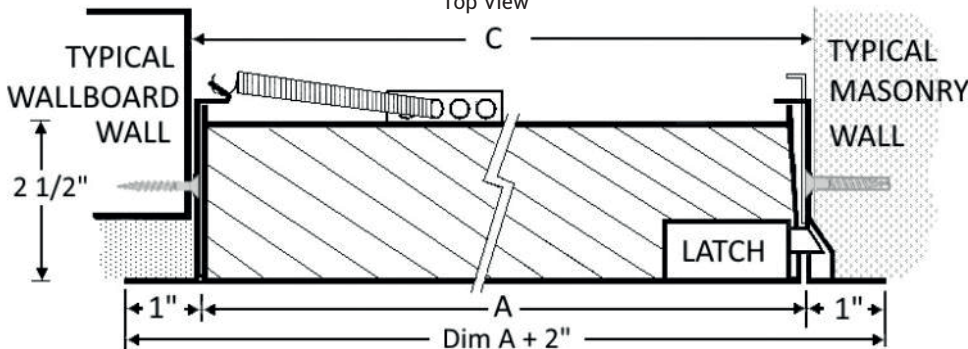
For a complete list of options visit www.AccessDoorsAndPanels.com



DIMENSIONS AND APPEARANCE

>> CLICK TO VIEW ADDITIONAL DETAILS AND PRICING <<

WALL INSTALLATION 1-1/2 HOUR UL"B" LABEL IN A 2 HOUR FIRE BARRIER
Use "C" Dimension for Installation Without Wallboard Liner, Add 1-5/8" to "A" for 5/8" Wallboard Liner of Opening on 4 Sides
Top View



SEE SEPARATE SUBMITTALS FOR 1- 3 HOUR CEILINGS, 3 HOUR WALLS OR DOUBLE LEAF DOORS
THIS DRAWING IS AN ILLUSTRATION ONLY - INSTALLATION CONDITIONS MAY VARY

Detail of Wall Model

Standard Color is White
Optional Colors at Additional Cost



For detailed specifications see submittal sheet



PROJECT DATA

Custom Sizes Available - Fast!

Scan or Click



To view Pricing and Additional Product Info.

PROJECT NAME :	QTY	W	H	OPTIONS
ARCHITECT :				
DEALER :				
CONTRACTOR :				
LOCATION :	SPECIAL INSTRUCTIONS :			
DATE :				
TAGGING INSTRUCTIONS :	SUBMITTAL APPROVAL : (signature or stamp)			

TELEPHONE:
1-888-457-1275
FAX:
1-888-626-2907



PO BOX 66738 #76520,
SAINT LOUIS, MO
63166-6738
USA



WEBSITE:
www.AccessDoorsAndPanels.com
E-MAIL:
info@AccessDoorsAndPanels.com



FD

2 HOUR FIRE-RATED INSULATED FLUSH ACCESS PANELS FOR WALLS

MODEL SIZE IS DOOR SIZE WIDTH X HEIGHT		OUTSIDE FRAME DIMENSIONS		2 HOUR FIRE BARRIER UL "B" RATED WALL OPENING		APPROXIMATE SHIPPING WEIGHT In Pounds			LATCH (ES)
INCHES	MM	WIDTH	HEIGHT	WIDTH	HEIGHT	FD	FDS	FD "H14"	
8" x 8"	203 x 203	10"	10"	8 3/8"	8 3/8"	6	6	11	1
10" x 10"	254 x 254	12"	12"	10 3/8"	10 3/8"	8	8	15	1
12" x 12"	305 x 305	14"	14"	12 3/8"	12 3/8"	10	10	17	1
14" x 14"	356 x 356	16"	16"	14 3/8"	14 3/8"	12	12	22	1
16" x 16"	406 x 406	18"	18"	16 3/8"	16 3/8"	15	15	17	1
18" x 18"	457 x 457	20"	20"	18 3/8"	18 3/8"	17	18	30	1
20" x 20"	508 x 508	22"	22"	20 3/8"	20 3/8"	21	22	51	1
20" x 30"	508 x 762	22"	32"	20 3/8"	30 3/8"	28	29	53	2
22" x 22"	559 x 559	24"	24"	22 3/8"	22 3/8"	26	27	58	1
22" x 30"	559 x 762	24"	32"	22 3/8"	30 3/8"	29	30	47	2
22" x 36"	559 x 914	24"	38"	22 3/8"	36 3/8"	36	37	60	2
24" x 24"	610 x 610	26"	26"	24 3/8"	24 3/8"	27	28	85	1
24" x 36"	610 x 914	26"	38"	24 3/8"	36 3/8"	37	38	-	2
24" x 48"	610 x 1219	26"	50"	24 3/8"	48 3/8"	54	56	-	2
30" x 30"	762 x 762	32"	32"	30 3/8"	30 3/8"	38	40	-	2
32" x 32"	813 x 813	34"	34"	32 3/8"	32 3/8"	43	41	-	2
36" x 36"	914 x 914	38"	38"	36 3/8"	36 3/8"	52	54	-	2
36" x 48"	914 x 1219	38"	50"	36 3/8"	48 3/8"	61	64	-	2
48" x 48"	1219 x 1219	50"	50"	48 3/8"	48 3/8"	100	110	-	2

Sizes not shown, available upon request up to 48" x 48"
For Sizes Where Height Exceeds 48", See our Expanded Line of FD2 Access Panels

OPTIONAL FEATURES

- Standard Universal Lock with turn ring and key (U)
- Slam latch with knurled knob (U2)
- Mortise slam lock prep for lock by others. This preparation will accept a 1-1/8" diameter mortise cylinder and the threading on the cylinder must be 7/8" long. Cam must have minimum "X" length of 7/16". This allows you to key to new or existing master key systems (U3)
- Mortise slam lock prep with model 06431 installed (U4)
- Optional color Code - XXXXXXXXXX

MATERIAL

- Steel with 20 gauge door and 16 gauge frame (standard).
- Steel with 16 gauge door and frame.
- Heavy Gauge Steel with 14 gauge door and 14 gauge frame.

G-Gray, R-Red, BK-Black, FB-Flat Black,
S-Sand, AB-AMS Beige, SB-Flat Beige,
B-Bronze, SI-Silver

OPTIONAL FEATURES AT ADDITIONAL COST



Standard (U)
Universal Ring/Key



Optional Knurled
Knob (U2)



Optional Mortise Lock
(U4)

