



www.acudor.com
 U.S.A.: info@acudor.com / 800.722.0501
 CANADA: info@acudor.ca / 844.228.3671
 INTERNATIONAL: info@acudorintl.com
 (905) 428.2240

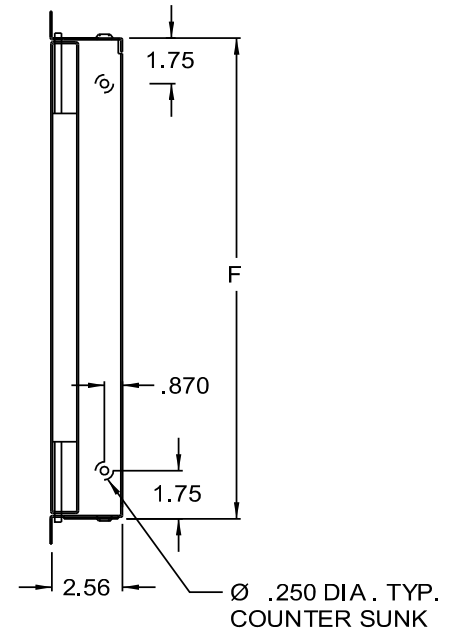
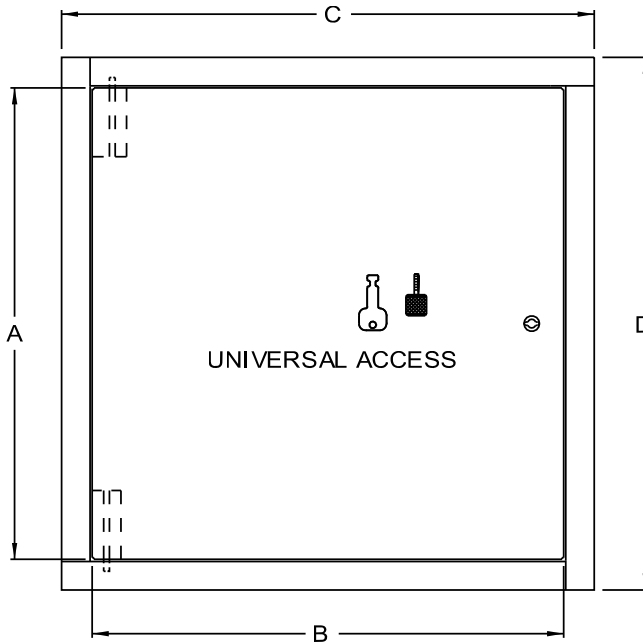
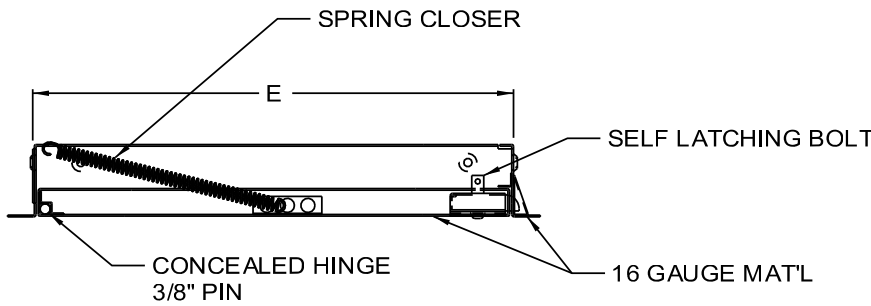
FB-5060

FIRE RATED - FOR WALLS

QTY.	NOMINAL SIZE	A	B	C	D	E	F	LOCK
	8 X 8 (203 X 203)	7.78 (198)	7.78 (198)	10 (254)	10 (254)	8.12 (206)	8.12 (206)	1
	10 x 10 (254 x 254)	9.78 (248)	9.78 (248)	12 (305)	12 (305)	10.12 (257)	10.12 (257)	1
	12 x 12 (305 x 305)	11.78 (299)	11.78 (299)	14 (356)	14 (356)	12.12 (308)	12.12 (308)	1
	14 x 14 (356 x 356)	13.78 (350)	13.78 (350)	16 (406)	16 (406)	14.12 (359)	14.12 (359)	1
	16 x 16 (406 x 406)	15.78 (401)	15.78 (401)	18 (457)	18 (457)	16.12 (409)	16.12 (409)	1
	18 x 18 (457 x 457)	17.78 (452)	17.78 (452)	20 (508)	20 (508)	18.12 (460)	18.12 (460)	1
	24 x 24 (610 x 610)	23.78 (604)	23.78 (604)	26 (660)	26 (660)	24.12 (613)	24.12 (613)	1

WALLS

Approved by Underwriters Laboratories (UL) for 1 1/2 hours "B" label in walls and ULC for 2 hours "B" label in walls.



STANDARD FEATURES: UNIVERSAL SELF LATCHING BOLT- OPERATED BY KNURLED KNOB / FLUSH KEY/ AND INSIDE TURN RELEASE.

OPTIONS: CARBON STEEL, PRIME COAT BAKED ENAMEL FINISH

LOCK TYPE

- RIM CYLINDER LOCK
- PREPARED FOR MORTISE CYLINDER LOCK

MATERIAL

- STAINLESS STEEL
- OTHER

FINISH

- #4 SATIN POLISH
- OTHER

ALL FIRE RATED:

SPECIAL SIZES CAN BE ORDERED, BUT BASIC CONSTRUCTION MUST REMAIN CONSTANT TO COMPLY WITH UL AND ULC REGULATIONS.

JOB NAME:

APPROVED BY:

CUSTOMER:

DATE:

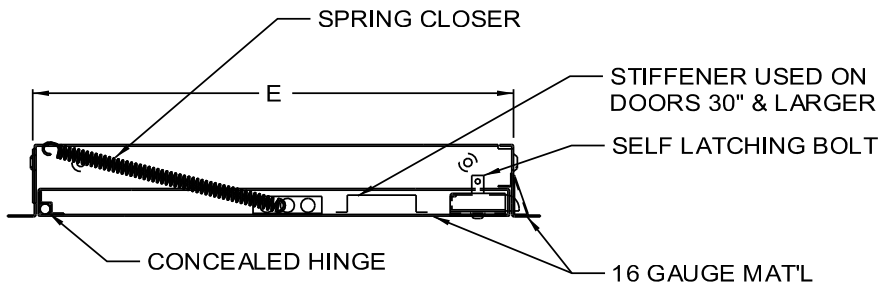


www.acudor.com
 U.S.A.: info@acudor.com / 800.722.0501
 CANADA: info@acudor.ca / 844.228.3671
 INTERNATIONAL: info@acudorintl.com
 (905) 428.2240

FB-5060

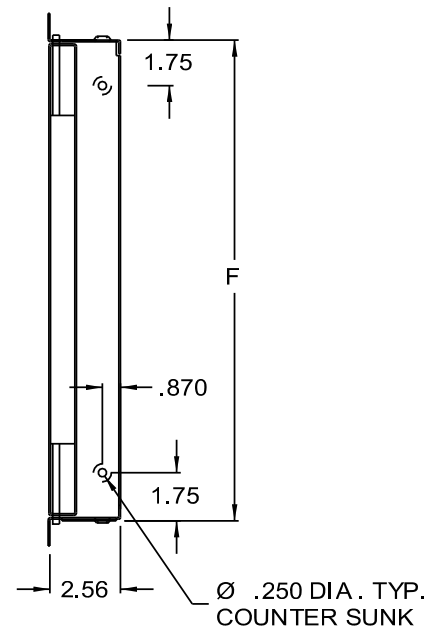
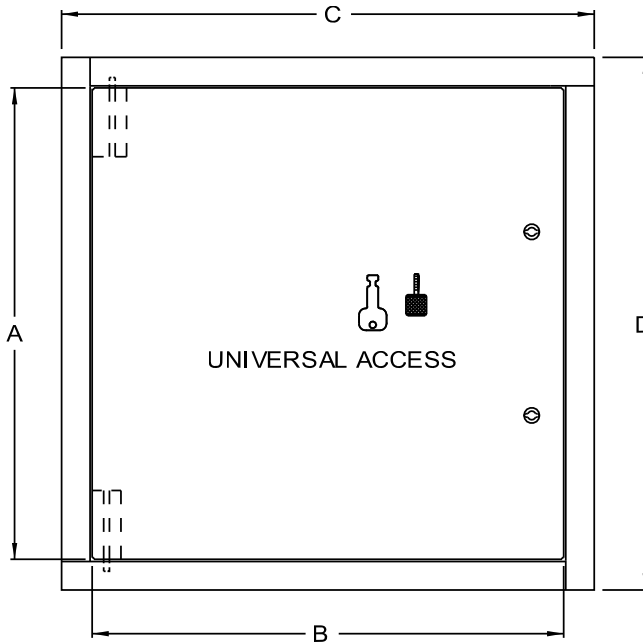
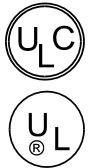
FIRE RATED - FOR WALLS

QTY.	NOMINAL SIZE	A	B	C	D	E	F	LOCK
	22 x 30 (559 x 762)	29.78 (756)	21.78 (553)	24 (610)	32 (813)	22.12 (562)	30.12 (765)	2
	22 x 36 (559 x 914)	35.78 (909)	21.78 (553)	24 (610)	38 (965)	22.12 (562)	36.12 (917)	2
	24 x 36 (610 x 914)	35.78 (909)	23.78 (604)	26 (660)	38 (965)	24.12 (613)	36.12 (917)	2
	24 x 48 (610 x 1219)	47.78 (1214)	23.78 (604)	26 (660)	50 (1270)	24.12 (613)	48.12 (1222)	2
	30 x 30 (762 x 762)	29.78 (756)	29.78 (756)	32 (813)	32 (813)	30.12 (765)	30.12 (765)	2
	36 x 36 (914 x 914)	35.78 (909)	35.78 (909)	38 (965)	38 (965)	36.12 (917)	36.12 (917)	2
	36 x 48 (914 x 1220)	47.78 (1214)	35.78 (909)	38 (965)	50 (1270)	36.12 (917)	48.12 (1222)	2



WALLS

Approved by Underwriters Laboratories (UL) for 1 1/2 hours "B" label in walls and ULC for 2 hours "B" label in walls.



STANDARD FEATURES: UNIVERSAL SELF LATCHING BOLT- OPERATED BY KNURLED KNOB / FLUSH KEY/ AND INSIDE TURN RELEASE.

OPTIONS: CARBON STEEL, PRIME COAT BAKED ENAMEL FINISH

- | | | |
|---|--|--|
| LOCK TYPE | MATERIAL | FINISH |
| <input type="checkbox"/> RIM CYLINDER LOCK | <input type="checkbox"/> STAINLESS STEEL | <input type="checkbox"/> #4 SATIN POLISH |
| <input type="checkbox"/> PREPARED FOR MORTISE CYLINDER LOCK | <input type="checkbox"/> OTHER | <input type="checkbox"/> OTHER |

ALL FIRE RATED:

SPECIAL SIZES CAN BE ORDERED, BUT BASIC CONSTRUCTION MUST REMAIN CONSTANT TO COMPLY WITH UL AND ULC REGULATIONS.

JOB NAME:

APPROVED BY:

CUSTOMER:

DATE: