

VB Series



Valve Box

Valve boxes are engineered to provide access to all types of valves and controls which are concealed in the wall. Elmdor Valve Boxes are fully enclosed and features rounded safety corners.

Door and Frame shall be 16 gage galvanized steel with a prime coat finish.

Frame is a one piece construction 1" wide and produces perfect concealment of the rough wall openings. Wall frame is provided with 1/4" mounting holes for fastening within the furred spaces allowing faster installation and giving maximum clearance.

Hinge is a concealed continuous piano hinge.

Latch is screwdriver operated.

Finish is a prime coat suitable for painting.

Guide Specification

Provide Elmdor VB series, Valve Box (specify model number and options). Access door and frame shall be fabricated from 16 gage, galvanized steel with a prime coat finish. The door shall have rounded safety corners and a concealed continuous piano hinge. Frame shall be one piece construction with no mitres or welds on the face. Latch shall be screwdriver operated. Elmdor Valve Box shall be fully enclosed with 16 gage, galvanized steel with a prime coat finish. Finish shall be a prime coat suitable for painting.

[Click here to Online Product Page and Pricing](#)



Member of U.S. Green
Building Council

VB

Revised: 3/24/09



MODEL NUMBER AND OPTIONS SELECTION

BASE MODEL NUMBER
 VB Valve Box

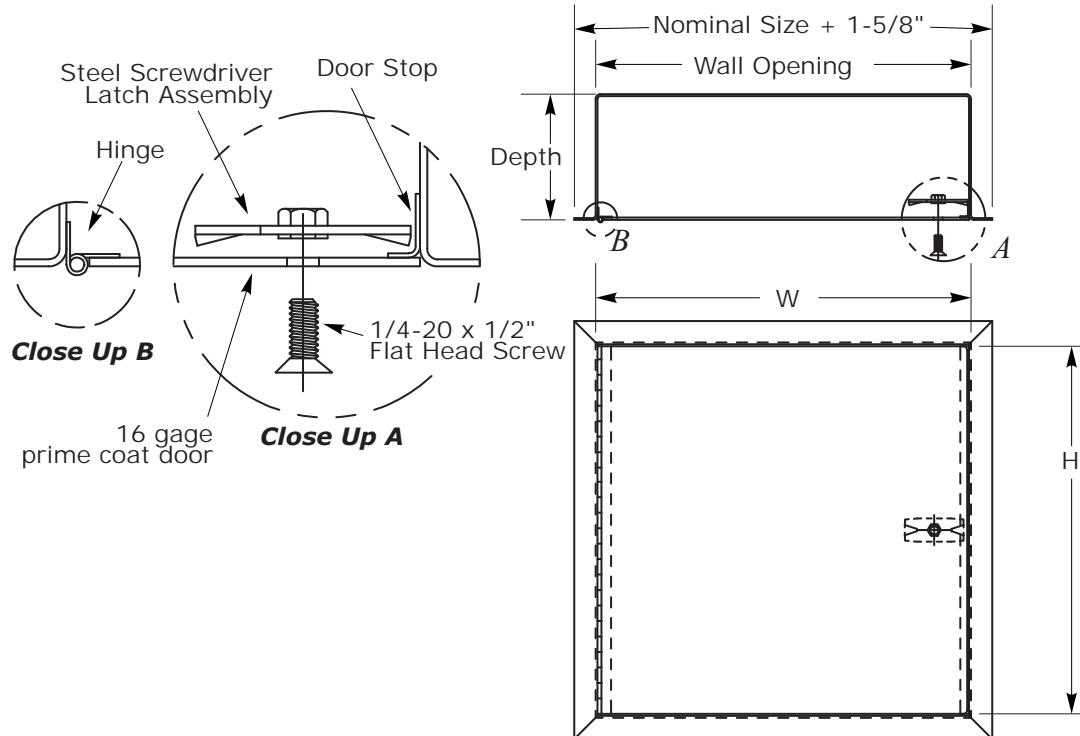
Suffix Options

- AKL Allen Key Latch
- CL Cylinder Lock
- SS Stainless Steel Construction.
(Type 304 No 4 Finish Satin Finish)
- TH T Handle

STANDARD AVAILABLE SIZES

Special sizes available upon request.

NOMINAL DOOR SIZE (W x H x Depth)	WALL OPENING	LATCH	WEIGHT
VB 8" x 8" x 4"	8-1/2" x 8-1/2"	1	10.0 lbs.
VB 8" x 8" x 6"	8-1/2" x 8-1/2"	1	12.0 lbs.
VB 12" x 12" x 4"	12-1/2" x 12-1/2"	1	18.0 lbs.
VB 12" x 12" x 6"	12-1/2" x 12-1/2"	1	20.0 lbs.
VB 14" x 14" x 4"	14-1/2" x 14-1/2"	1	26.0 lbs.
VB 14" x 14" x 6"	14-1/2" x 14-1/2"	1	28.0 lbs.
VB 16" x 16" x 4"	16-1/2" x 16-1/2"	1	32.0 lbs.
VB 16" x 16" x 6"	16-1/2" x 16-1/2"	1	34.0 lbs.



[Click here to Online Product Page and Pricing](#)

SELECTION SUMMARY & APPROVAL FOR MANUFACTURING	
Model Number & Options _____	Quantity _____
Company _____	Date _____
Contact _____	Title _____
Approval for Manufacturing/Signature _____	

VB

Revised: 3/24/09