

SUBMITTAL/TECHNICAL DATA SHEET



SKU: **E-40**

SINGLE LEAF ROOF SCUTTLE

TYPE E

SPECIFICATIONS

- 01. Frame with capflashing (corners full welded)
 - E-20 - 14 gauge P.B. Galv. steel
 - E-40 - 14 gauge P.B. Galv. steel
 - E-50 - 11 gauge aluminum
- 02. Pintle hinge
- 03. Gasket (All around cover)
- 04. Cover gauge
 - E-20 - 14 gauge P.B. Galv. steel
 - E-40 - 11 gauge aluminum
 - E-50 - 11 gauge aluminum
- 05. Cover liner
 - E-20 - 22 gauge P.B. Galv. steel
 - E-40 - 18 gauge aluminum
 - E-50 - 18 gauge aluminum
- 06. Spring lifting mechanism
- 07. 1" Rigid fiberglass cover insulation
- 08. Slam latch
- 09. Inside and outside handles with padlock hasps
- 10. Arm guide bracket
- 11. 1" Thick fiberglass cover insulation
- 12. Hold open arm with red vinyl grip
- 13. Neoprene gasket
- 14. Lock strike & padlock hasp
- 15. Bilclip® flashing system

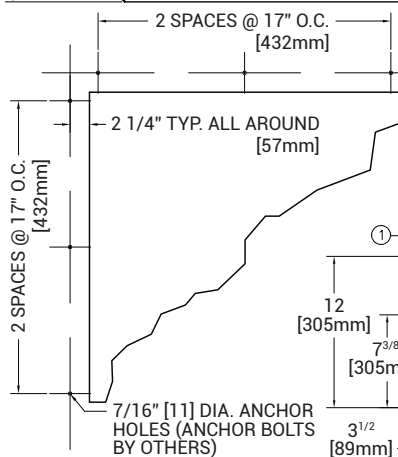
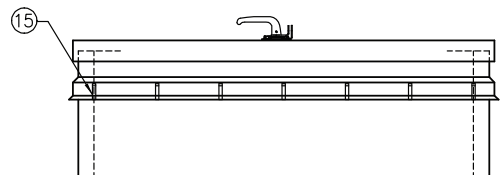
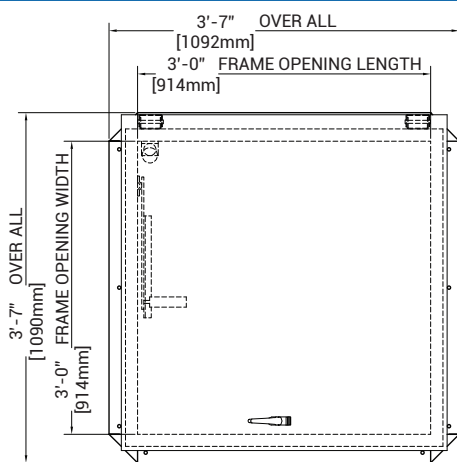
SHOP FINISH:

- STEEL: red oxide primer
- ALUMINUM: mill finish
- HARDWARE: non-corrosive materials (Unless otherwise specified)

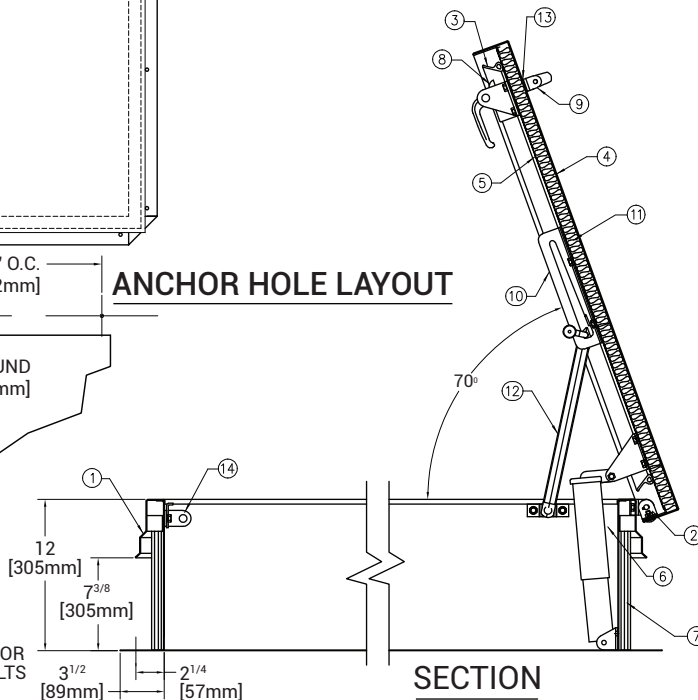
This product may be installed on either a flat or sloping roof. When installed on a slope, the hinge side must run parallel with the slope. If slope exceeds 30°, advise factory for modification.

DIMENSIONS AND APPEARANCE

>> CLICK TO VIEW ADDITIONAL DETAILS AND PRICING <<



ANCHOR HOLE LAYOUT



SECTION

For a complete list of options visit www.AccessDoorsAndPanels.com

QTY	TYPE	MATERIAL
<input type="checkbox"/>	E-20	STEEL COVER/STEEL FRAME
<input type="checkbox"/>	E-40	ALUM. COVER/STEEL FRAME
<input type="checkbox"/>	E-50	ALUM. COVER/ALUM. FRAME

TYPE E SIZE 3'-0" X 3'-0" (WIDTH X HEIGHT)

PROJECT DATA

Custom Sizes Available - Fast!

PROJECT NAME :	QTY	W	H	OPTIONS
ARCHITECT :				
DEALER :				
CONTRACTOR :				
LOCATION :	SPECIAL INSTRUCTIONS :			
DATE :				
TAGGING INSTRUCTIONS :	SUBMITTAL APPROVAL : (signature or stamp)			

Scan or Click



To view Pricing and Additional Product Info.

TELEPHONE:
1-888-457-1275
FAX:
1-888-626-2907



PO BOX 66738 #76520,
SAINT LOUIS, MO
63166-6738
USA



WEBSITE:
www.AccessDoorsAndPanels.com
E-MAIL:
info@AccessDoorsAndPanels.com