

SUBMITTAL/TECHNICAL DATA SHEET



SPECIFICATIONS

01. Frame with capflashing (corners full welded)
E-20 - 14 gauge P.B. Galv. steel
02. Pintle hinge
03. Gasket (All around cover)
04. Cover gauge
E-20 - 14 gauge P.B. Galv. steel
05. Cover liner
E-20 - 22 gauge P.B. Galv. steel
06. Spring lifting mechanism
07. 1" Fiberboard curb insulation
08. Slam latch
09. Inside and outside handles with padlock hasps
10. Arm guide bracket
11. 1" Fiberglass cover insulation
12. Hold open arm with red vinyl grip
13. Neoprene gasket
14. Guide arm (if req'd)
15. Bilclip® flashing system
16. Lock strike and padlock hasp

SHOP FINISH:

- COVER: red oxide primer
- FRAME: red oxide primer
- HARDWARE: non-corrosive materials
(Unless otherwise specified)

This product may be installed on either a flat or sloping roof. When installed on a slope, the hinge side must run parallel with the slope. If slope exceeds 30°, advise factory for modification.

For a complete list of options visit www.AccessDoorsAndPanels.com

QTY	TYPE	MATERIAL
<input type="checkbox"/>	E-20	STEEL COVER/STEEL FRAME

TYPE E SIZE 3'-0" X 3'-0" (WIDTH X HEIGHT)
914mm x 914mm

SKU: **E-20C**

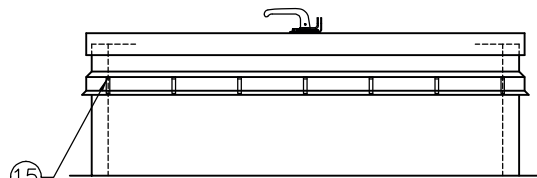
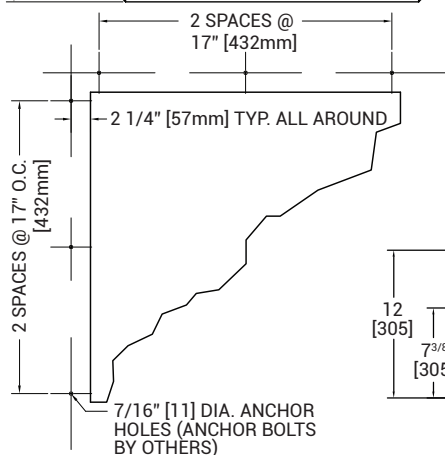
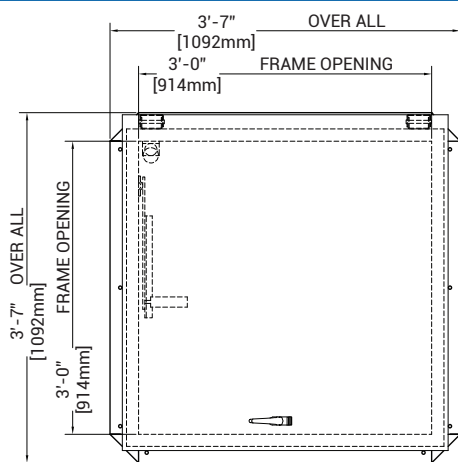
SINGLE LEAF ROOF ACCESS HATCH

TYPE E

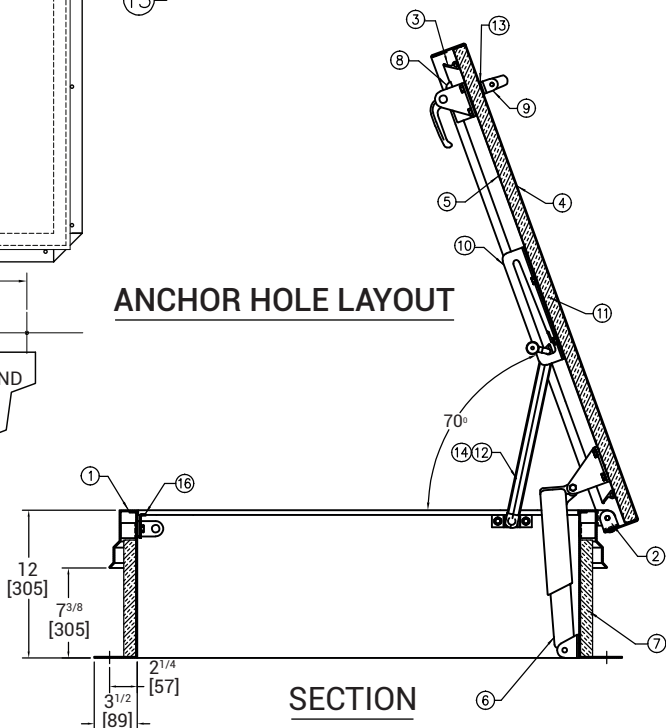


DIMENSIONS AND APPEARANCE

>> CLICK TO VIEW ADDITIONAL DETAILS AND PRICING <<



ANCHOR HOLE LAYOUT



SECTION

PROJECT DATA

Custom Sizes Available - Fast!

PROJECT NAME :	QTY	W	H	OPTIONS
ARCHITECT :				
DEALER :				
CONTRACTOR :				
LOCATION :	SPECIAL INSTRUCTIONS :			
DATE :				
TAGGING INSTRUCTIONS :	SUBMITTAL APPROVAL : (signature or stamp)			

Scan or Click



To view Pricing and Additional Product Info.

TELEPHONE:
1-888-457-1275
FAX:
1-888-626-2907



PO BOX 66738 #76520,
SAINT LOUIS, MO
63166-6738
USA



WEBSITE:
www.AccessDoorsAndPanels.com
E-MAIL:
info@AccessDoorsAndPanels.com