



High-quality, architecturally pleasing, innovative access doors for walls, ceilings, ducts, floors and roofs



RECESSED ACCESS DOOR DW-5015

Application

- For installation in drywall surfaces when it is required to conceal the door panel

Product Features

- Recessed 5/8" to receive drywall
- Door flange is a textured galvanized steel tapping bead with pre-punched holes

DW-5015 Access Door Specifications:

Material: Steel or Stainless Steel: 22 gage door, 22 gage mounting frame

Door: Recessed 5/8"

Door Frame: Galvanized steel drywall tapping bead on all sides

Hinge: Concealed

Standard Latch: 5/16" Square drive cam latch

Optional Latches/Locks: Cylinder lock and key, allen head cam latch, spanner head cam latch

Finish: Satin coat steel

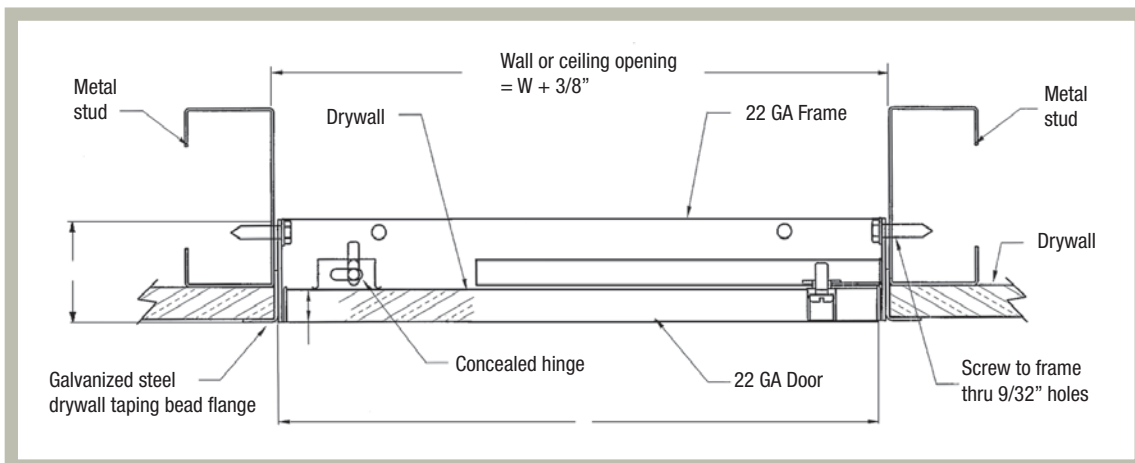


AVAILABLE SIZES *(Special sizes available upon request)*

NOMINAL DOOR SIZE W X H		WEIGHT PER DOOR		
inches	mm	Latches	lbs.	kg.
12 X 12	305 X 305	1	8.5	3.9
18 X 18	457 X 457	2	15	6.8
24 X 24	610 X 610	2	23	10.4
24 X 36	610 X 914	4	30	13.8

Wall or ceiling opening is $W + 3/8"$ (9 mm)

For detailed specifications see submittal sheet



[Click here to Online Product Page and Pricing](#)

For more information, contact AccessDoorsAndPanels www.AccessDoorsAndPanels.com

Phone: 1-800-609-2917

Fax: 1-888-626-2907

Email: info@accessdoorsandpanels.com