

DSH-SIZE CHART				
MODELS			SIZE	
STEEL	STEEL/ALUM	ALUM	WIDTH	LENGTH
DSH4848	DSH4848A	DSH4848B	4'-0" x 4'-0"	[1220mm] x [1220mm]
DSH4872	DSH4872A	DSH4872B	4'-0" x 6'-0"	[1220mm] x [1830mm]
DSH4890	DSH4890A	DSH4890B	4'-0" x 7'-6"	[1220mm] x [2285mm]
DSH4896	DSH4896A	DSH4896B	4'-0" x 8'-0"	[1220mm] x [2440mm]
DSH6060	DSH6060A	DSH6060B	5'-0" x 5'-0"	[1525mm] x [1525mm]
DSH6072	DSH6072A	DSH6072B	5'-0" x 6'-0"	[1525mm] x [1830mm]
DSH6084	DSH6084A	DSH6084B	5'-0" x 7'-0"	[1525mm] x [2135mm]
DSH6096	DSH6096A	DSH6096B	5'-0" x 8'-0"	[1525mm] x [2440mm]
DSH60120	DSH60120A	DSH60120B	5'-0" x 10'-0"	[1525mm] x [3050mm]
DSH6666	DSH6666A	DSH6666B	5'-6" x 5'-6"	[1675mm] x [1675mm]
DSH66144	DSH66144A	DSH66144B	5'-6" x 12'-0"	[1675mm] x [3660mm]
DSH7272	DSH7272A	DSH7272B	6'-0" x 6'-0"	[1830mm] x [1830mm]

DSH66144, DSH66144A & DSH-66144B HAS (4) COVERS

SPECIFICATIONS

- FRAME W/ CAPFLASHING (CORNERS FULL WELDED)
DSH - 14 GAUGE PAINT BOND GALV. STEEL
DSH A - 14 GAUGE PAINT BOND GALV. STEEL
DSH B - 11 GAUGE ALUMINUM
- PINTLE HINGE
- EPDM GASKET (ALL AROUND FRAME)
- COVER GAUGE
DSH - 14 GAUGE PAINT BOND GALV. STEEL
DSH A - 11 GAUGE ALUMINUM
DSH B - 11 GAUGE ALUMINUM
- COVER LINER
DSH - 22 GAUGE PAINT BOND GALV. STEEL
DSH A - 18 GAUGE ALUMINUM
DSH B - 18 GAUGE ALUMINUM
- GAS SPRINGS WITH INTEGRAL DAMPER & HOLD OPEN FEATURE
- 1" RIGID FIBERBOARD INSULATION
- FIXED CENTER DRAIN
- 165° FUSIBLE LINK (EXTRA LINK PROVIDED)
- THERMOLATCH II® POSITIVE HOLD/RELEASE MECHANISM
- COVER RESTRAINT CABLE
- 1" FIBERGLASS COVER INSULATION
DSH60120A - 2" FIBERGLASS COVER INSULATION
DSH60120B - 2" FIBERGLASS COVER INSULATION
- HOLD OPEN PIN RELEASE
- PULL GRIP TO OPEN FROM INSIDE 1/8" DIA. STEEL CABLE
- PULL GRIP TO OPEN FROM OUTSIDE 1/8" DIA. STEEL CABLE
- COVER LATCH BRACKET
- BILCLIP® FLASHING SYSTEM

SHOP FINISH:
 STEEL: RED OXIDE PRIMER
 ALUMINUM: MILL FINISH
 HARDWARE: ZINC PLATED & CHROMATE SEALED
 (UNLESS OTHERWISE SPECIFIED)

THIS PRODUCT MAY BE INSTALLED ON EITHER A FLAT OR SLOPING ROOF. WHEN INSTALLED ON A SLOPE, THE HINGE SIDE MUST RUN PARALLEL WITH THE SLOPE. IF SLOPE EXCEEDS 30°, ADVISE FACTORY FOR MODIFICATION.

CUSTOMER:

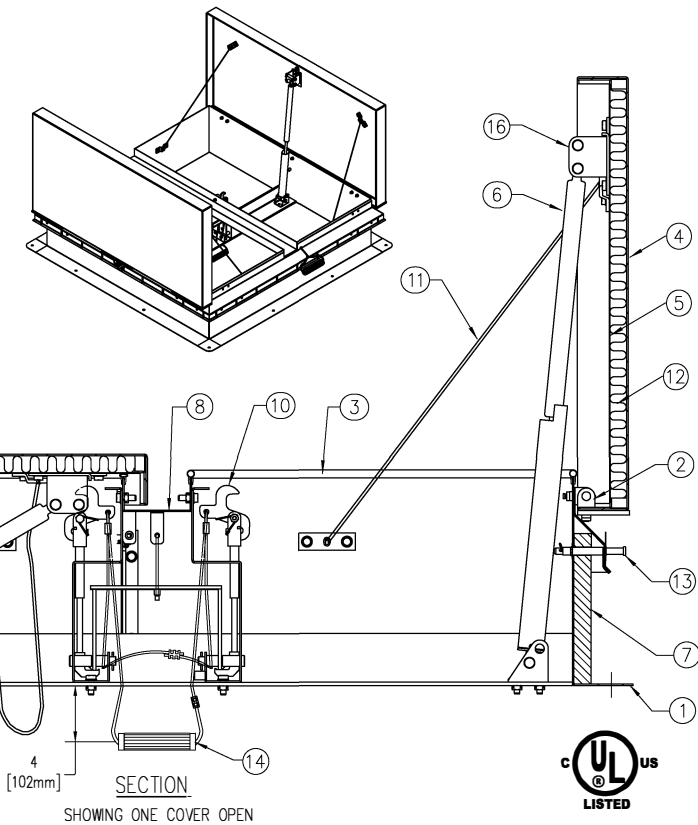
P.O. N°

JOB:

SALES REP:

DOUBLE LEAF FIRE VENT - TYPE DSH

QTY	MODEL	SIZE
<input type="text"/>	<input type="text"/>	<input type="text"/>



NOTE
 1. COVERS SHALL OPEN AGAINST 10 PSF (49 kg/m²) SNOW/WIND LOAD
 2. VENT ASSEMBLY RATED FOR 40 PSF (195 kg/m²) LIVE LOAD
 3. COVERS WILL REMAIN CLOSED UNDER 90 PSF (438 kg/m²) WIND UPLIFT FORCE

THERMOLATCH II CURB - MOUNTED RESET

VIEW C

- THERMOLATCH MECHANISM - COVERS WILL OPERATE ONLY WHEN ACTIVATED
 A. MANUALLY
 B. BY HEAT AT 165° FUSIBLE LINK
- MANUFACTURER TO PROVIDE LABEL WITH INSTRUCTIONS TO RESET LATCH ON INTERIOR OF FRAME