

# SUBMITTAL/TECHNICAL DATA SHEET



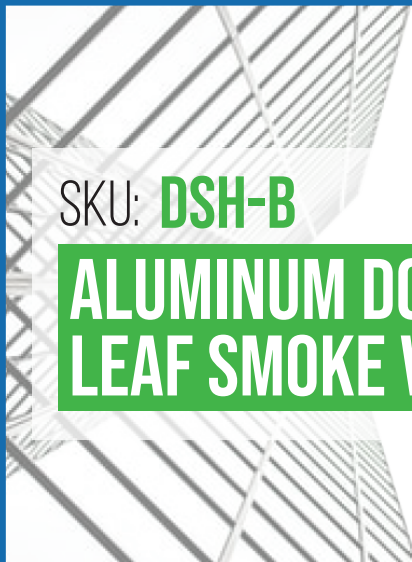
## SPECIFICATIONS

01. Frame with capflashing (corners full welded)  
DSH - 14 Gauge paint bond galv. Steel  
DSH A - 14 Gauge paint bond galv. Steel  
DSH B - 11 Gauge aluminum
02. Pintle hinge
03. EPDM gasket (All around frame)
04. Cover gauge  
DSH - 14 Gauge paint bond galv. Steel  
DSH A - 11 Gauge aluminum  
DSH B - 11 Gauge aluminum
05. Cover liner  
DSH - 22 Gauge paint bond galv. Steel  
DSH A - 18 Gauge aluminum  
DSH B - 18 Gauge aluminum
06. Gas springs with integral damper & hold open feature
07. 1" rigid fiberboard insulation
08. Fixed center drain
09. 165' fusible link (extra link provided)
10. Thermolatch II® positive hold/release mechanism
11. Cover restraint cable
12. 1" Fiberglass cover insulation  
DSH60120A - 2" fiberglass cover insulation  
DSH60120B - 2" fiberglass cover insulation
13. Hold open pin release
14. Pull grip to open from inside 1/8" DIA. steel cable
15. Pull grip to open from outside 1/8" DIA. steel cable
16. Cover latch bracket
17. Bilclip® flashing system

### SHOP FINISH:

- Steel: Red oxide primer
- Aluminum: Mill finish
- Hardware: Zinc plated & chromate sealed (Unless otherwise specified)

This product may be installed on either a flat or sloping roof. When installed on a slope, The hinge side must run parallel with the slope exceeds 30°. Advise factory for modification.



SKU: **DSH-B**

## ALUMINUM DOUBLE LEAF SMOKE VENT



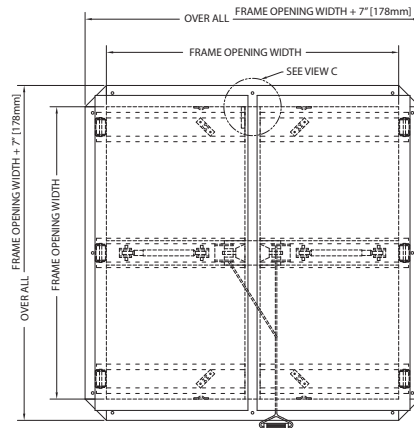
## DIMENSIONS AND APPEARANCE

>> CLICK TO VIEW ADDITIONAL DETAILS AND PRICING <<

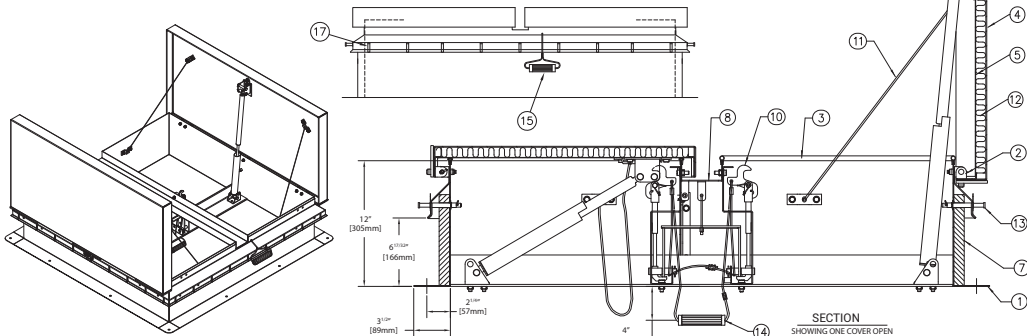
### STANDARD SIZE CHART:

STEEL	STEEL/ALUM	ALUM	SIZE WIDTH X LENGTH
DSH4848	DSH4848A	DSH4848B	4'-0" x 4'-0" [1220mm] X [1220mm]
DSH4872	DSH4872A	DSH4872B	4'-0" x 6'-0" [1220mm] X [1830mm]
DSH4890	DSH4890A	DSH4890B	4'-0" x 7'-6" [1220mm] X [2285mm]
DSH4896	DSH4896A	DSH4896B	4'-0" x 8'-0" [1220mm] X [2440mm]
DSH6060	DSH6060A	DSH6060B	5'-0" x 5'-0" [1525mm] X [1525mm]
DSH6072	DSH6072A	DSH6072B	5'-0" x 6'-0" [1525mm] X [1830mm]
DSH6084	DSH6084A	DSH6084B	5'-0" x 7'-0" [1525mm] X [2135mm]
DSH6096	DSH6096A	DSH6096B	5'-0" x 8'-0" [1525mm] X [2440mm]
DSH60120	DSH60120A	DSH60120B	5'-0" x 10'-0" [1525mm] X [3050mm]
DSH6666	DSH6666A	DSH6666B	5'-0" x 5'-6" [1525mm] X [1675mm]
DSH66144	DSH66144A	DSH66144B	5'-0" x 12'-0" [1525mm] X [3660mm]
DSH7272	DSH7272A	DSH7272B	6'-0" x 6'-0" [1830mm] X [1830mm]

DSH 66144, DSH66144A & DSH-66144B HAS (4) COVERS



FOR DETAILS SEE THE SECOND PAGE



For a complete list of options visit [www.AccessDoorsAndPanels.com](http://www.AccessDoorsAndPanels.com)

QTY    MODEL    SIZE (INCHES)  
                                WIDTH X LENGTH

## PROJECT DATA

Custom Sizes Available - Fast!

Scan or Click



To view Pricing and Additional Product Info.

PROJECT NAME :	QTY	W	H	OPTIONS
ARCHITECT :				
DEALER :				
CONTRACTOR :				
LOCATION :	SPECIAL INSTRUCTIONS :			
DATE :				
TAGGING INSTRUCTIONS :	SUBMITTAL APPROVAL : (signature or stamp)			

TELEPHONE:  
1-888-457-1275  
FAX:  
1-888-626-2907



PO BOX 66738 #76520,  
SAINT LOUIS, MO  
63166-6738  
USA

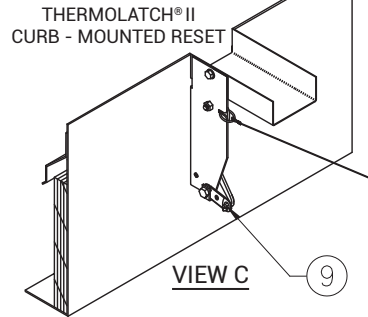
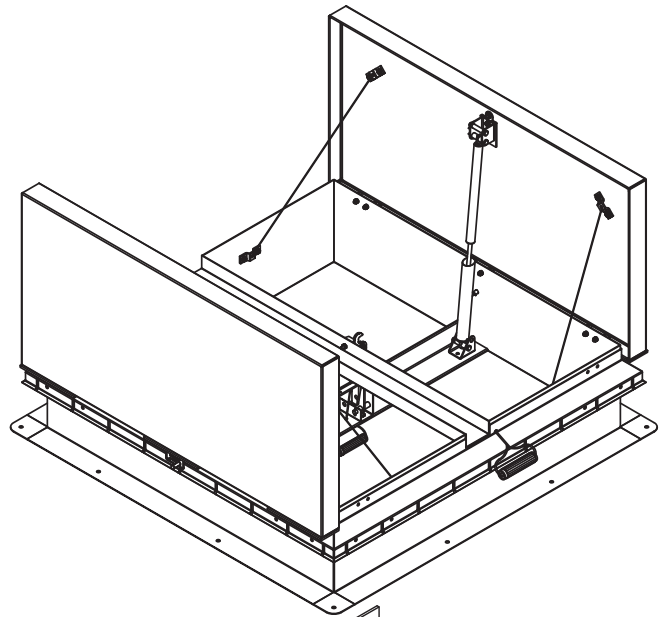
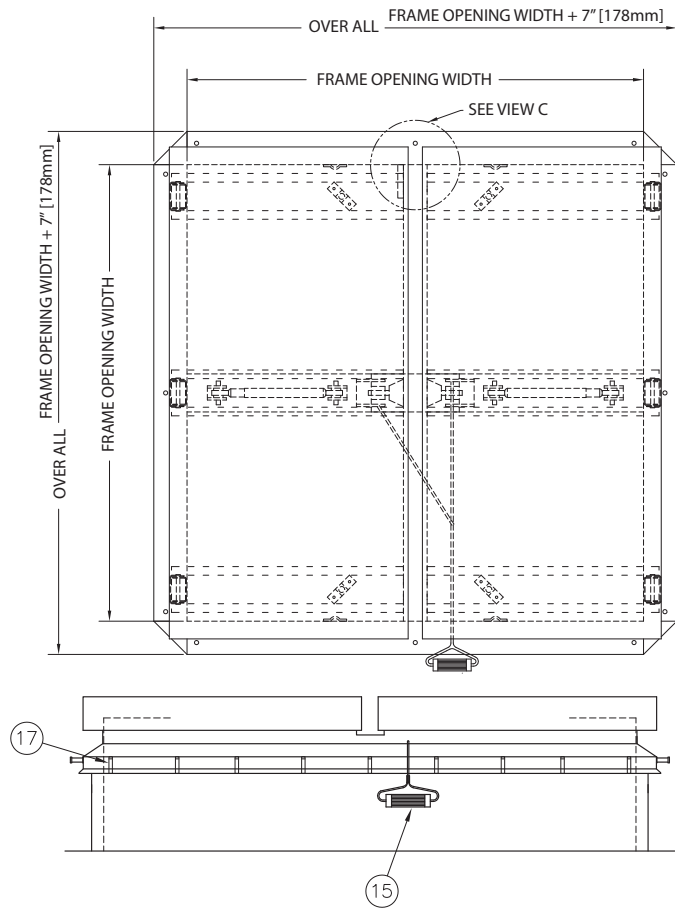


WEBSITE:  
[www.AccessDoorsAndPanels.com](http://www.AccessDoorsAndPanels.com)  
E-MAIL:  
[info@AccessDoorsAndPanels.com](mailto:info@AccessDoorsAndPanels.com)



# DSH-B

# ALUMINUM AUTOMATIC DOUBLE LEAF SMOKE VENT



**NOTE:**  
1. COVERS SHALL OPEN AGAINST 10 PSF (49KG/M<sup>2</sup>) SNOW/WIND LOAD  
2. VENT ASSEMBLY RATED FOR 40 PSF (195KG/M<sup>2</sup>) LIVE LOAD  
3. COVERS WILL REMAIN CLOSED UNDER 90 PSF (438KG/M<sup>2</sup>) WIND UPLIFT FORCE

1. THERMOLATCH MECHANISM - COVERS WILL OPERATE ONLY WHEN ACTIVATED  
A. MANUALLY  
B. BY HEAT AT 1650 FUSIBLE LINK  
2. MANUFACTURER TO PROVIDE LABEL WITH INSTRUCTIONS TO RESET LATCH ON INTERIOR OF FRAME

