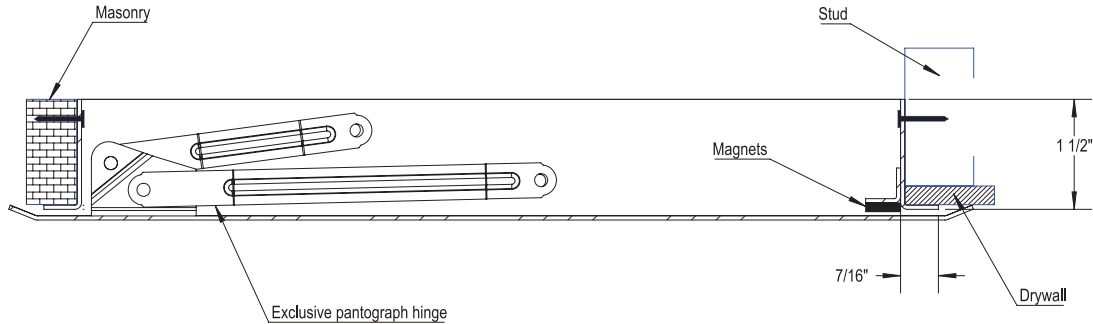


ACCESS DOOR WITH HIDDEN FLANGE & LATCH
 FOR ALL SURFACE TYPES

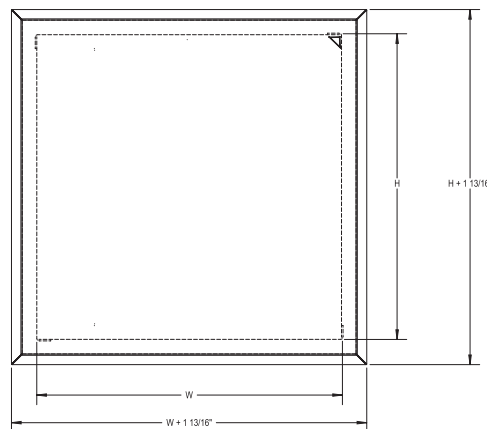
CONTOUR
CTR-MAG
INSTALLATION

DIMENSION AND APPEARANCE

LEED ready: This product contributes to LEED® credits.

 Your odd sizes:
 Made in 5 days

DOOR SIZE - W x H INCHES (MM)		WEIGHT	
		LBS	KG
8 1/4" X 8 1/4"	(210 x 210)	3	1.4
8 1/4" X 12"	(210 x 304)	4	1.8
10" X 10"	(254 x 254)	4	1.8
12" X 12"	(304 x 304)	6	2.7
12" X 18"	(304 x 457)	7	3.2
14" X 14"	(355 x 355)	8	3.6
16" X 16"	(406 x 406)	9	4.1
18" X 18"	(457 x 457)	10	4.5
18" X 24"	(457 x 609)	13	5.9
20" X 20"	(508 x 508)	13	5.9
22" X 22"	(558 x 558)	15	6.8
22" X 30"	(558 x 762)	17	7.7
22" X 36"	(558 x 914)	19	8.6
24" X 24"	(609 x 609)	17	7.7
24" X 30"	(609 x 762)	19	8.6
24" X 36"	(609 x 914)	24	10.9
* 24" X 48"	(609 x 1219)	31	14.1
* 36" X 36"	(914 x 914)	33	14.9

* For ceilings only



Rough wall opening = door size + 1/4"


DESCRIPTION AND MATERIAL SPECIFICATION
CENDREX PARTNERS
Material: 16 gauge steel frame and door.

Hinge: Concealed double arm pantograph system.

Lock / latch: Concealed magnets for locking mechanism.

Finish: High quality white powder coat finish.

Packaging: Individually wrapped. 1 per box.

POPULAR OPTIONS For complete list of options go to:
www.AccessDoorsAndPanels.com
Material: Galvanneal steel

Lock: screwdriver cam latch, key operated cylinder cam latch, hex head cam latch, pinned hex head cam latch, handle operated cam latch, mortise preparation for cylinder (cylinder optional), ring/tool key operated slam latch.

Gasket: Neoprene gasket

Retaining cables

PROJECT DATA

PROJECT NAME:	QTY	W	H	OPTIONS
ARCHITECT:				
DEALER:				
CONTRACTOR:				
LOCATION:	SPECIAL INSTRUCTIONS:			
DATE:				
TAGGING INSTRUCTIONS:	SUBMITTAL APPROVAL: (signature or stamp)			