

## APPLICATION

CAD recessed access door is designed for use in acoustical, drywall, or tiled surfaces. The door panel is recessed 5/8" (16) to allow the insertion of various types of material. Only the thickness of the door and frame edges are exposed. It has a unique white finish.

## SPECIFICATIONS

**MATERIAL:** 16 gauge satin coat steel door and 16 gauge satin coat steel frame. The CADSS Stainless Steel Series is 16 gauge #304 stainless steel door and frame

**DOOR:** Recessed 5/8" (15) door pan to accept tile, drywall or other finishing materials

**FRAME:** Flush to surface

**HINGE:** Concealed pivot pins

**STANDARD LOCK:** Flush mounted, screwdriver operated cam

**OPTIONAL LOCK:** Allen key, cylinder key, or vandal resistant latch. All of MIFAB's cylinder key locks are keyed alike

**FINISH:** Satin coat steel doors have a primed white finish. Stainless steel doors have a #4 brush satin finish

**PACKAGING:** Individual pack



SKU: **CAD**

## CEILING/WALL ACCESS DOOR

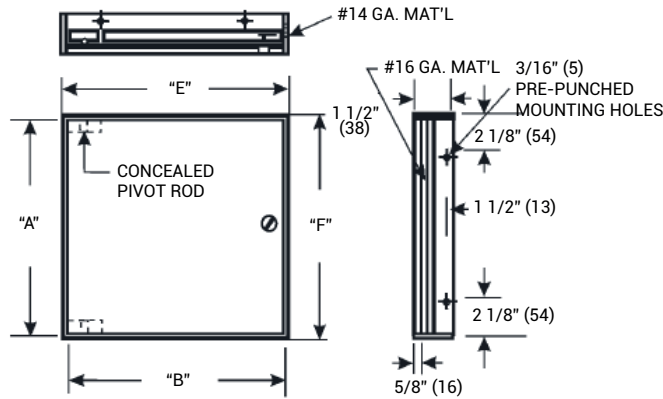


## DIMENSIONS AND APPEARANCE

>> [CLICK TO VIEW ADDITIONAL DETAILS AND PRICING](#) <<

### STANDARD SIZES:

| 'B' X 'A' | WALL OPENING        | SHIP WEIGHT (LBS.) | LATCHES | MILD STEEL MODEL # | STAINLESS STEEL MODEL # |
|-----------|---------------------|--------------------|---------|--------------------|-------------------------|
| 8" X 8"   | 8-3/16" X 8-3/16"   | 4.5                | 1       | CAD0808            | CADSS0808               |
| 12" X 12" | 12-3/16" X 12-3/16" | 7.0                | 1       | CAD1212            | CADSS1212               |
| 12" X 24" | 12-3/16" X 24-3/16" | 12.0               | 2       | CAD1224            | CADSS1224               |
| 14" X 14" | 14-3/16" X 14-3/16" | 9.0                | 2       | CAD1414            | CADSS1414               |
| 16" X 16" | 16-3/16" X 16-3/16" | 10.5               | 2       | CAD1616            | CADSS1616               |
| 18" X 18" | 18-3/16" X 18-3/16" | 12.00              | 3       | CAD1818            | CADSS1818               |
| 24" X 24" | 24-3/16" X 24-3/16" | 18.5               | 4       | CAD2424            | CADSS2424               |
| 24" X 36" | 24-3/16" X 36-3/16" | 22.0               | 5       | CAD2436            | CADSS2436               |



For detailed specifications see submittal sheet

(Dimension) Denotes Millimetres

Note: The hinge is always furnished on the "A" or height (longer) dimension, unless otherwise specified.

| SUFFIX | OPTIONAL VARIATIONS                                 |
|--------|---|
| ■ -A   | Allen key lock                                      |
| ■ -BA  | Buy American Act compliant product                  |
| ■ -C   | Cylinder key lock                                   |
| ■ -PA  | Pennsylvania Steel Act compliant product            |
| ■ -VP  | Vandal resistant hardware (VP Screwdriver included) |

### A-B

Recess - Door Size - Minus 3/16" (4)

### E-F

Overall Dimensions - Door Size - Plus 3/8" (9)

For a complete list of options visit [www.AccessDoorsAndPanels.com](http://www.AccessDoorsAndPanels.com)

## PROJECT DATA

Custom Sizes Available - Fast!

Scan or Click



To view Pricing and Additional Product Info.

|                        |  |   |   |         |
|------------------------|--|---|---|---------|
| PROJECT NAME :         | QTY  | W | H | OPTIONS |
| ARCHITECT :            |  |   |   |         |
| DEALER :               |  |   |   |         |
| CONTRACTOR :           |  |   |   |         |
| LOCATION :             | SPECIAL INSTRUCTIONS :                       |   |   |         |
| DATE :                 |  |   |   |         |
| TAGGING INSTRUCTIONS : | SUBMITTAL APPROVAL :<br>(signature or stamp) |   |   |         |

TELEPHONE:  
1-888-457-1275  
FAX:  
1-888-626-2907



PO BOX 66738 #76520,  
SAINT LOUIS, MO  
63166-6738  
USA

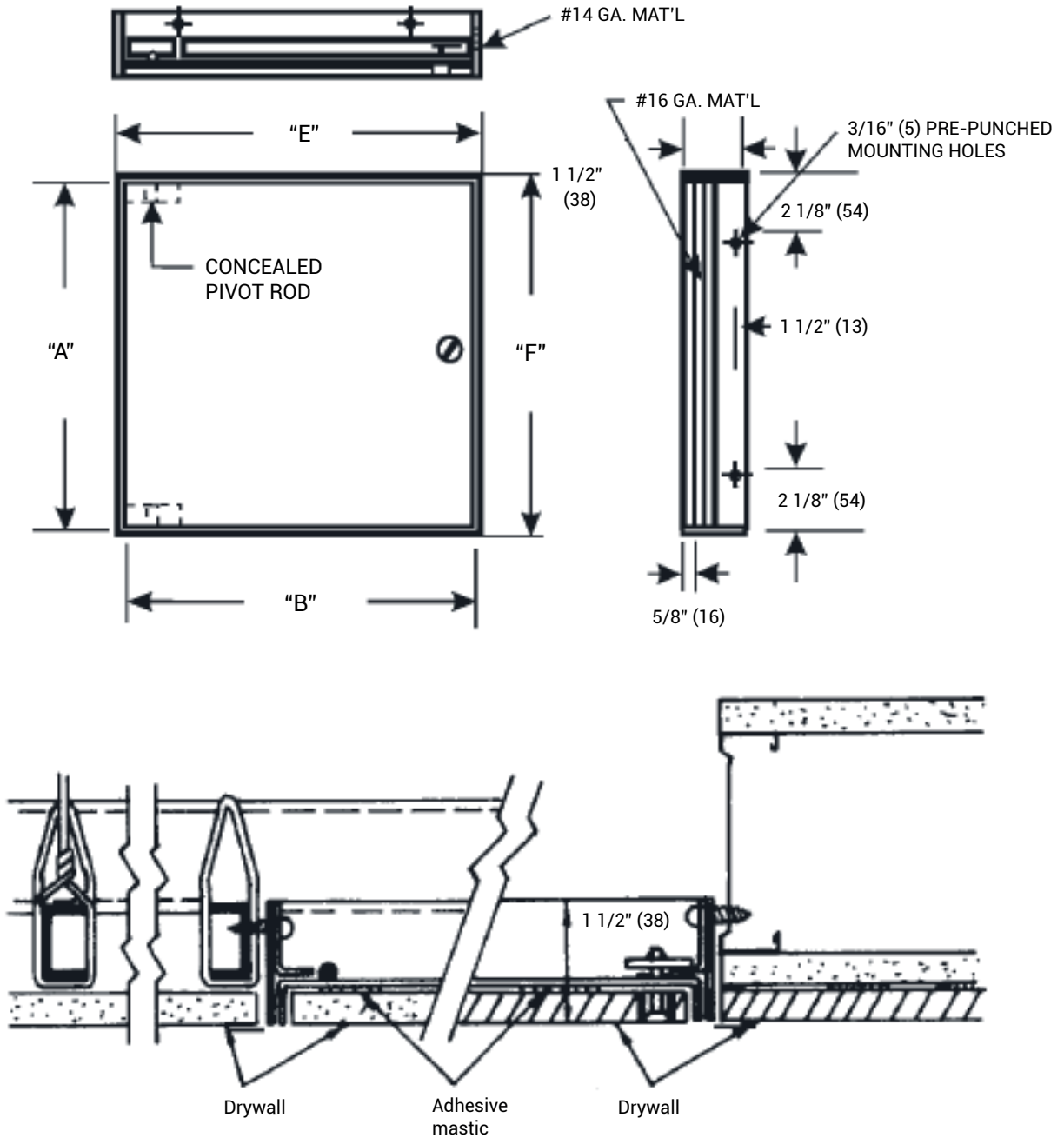


WEBSITE:  
[www.AccessDoorsAndPanels.com](http://www.AccessDoorsAndPanels.com)  
E-MAIL:  
[info@AccessDoorsAndPanels.com](mailto:info@AccessDoorsAndPanels.com)



# CAD

# CEILING OR WALL ACCESS DOOR



(Dimension) Denotes Millimetres

Note: The hinge is always furnished on the "A" or height (longer) dimension, unless otherwise specified.