

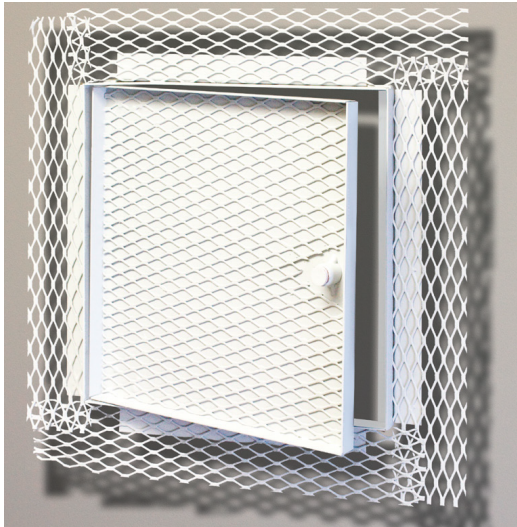
Location: \_\_\_\_\_



**CAD-PL**

**CEILING OR WALL ACCESS DOOR,  
PLASTER FINISH**

**Specification:** MIFAB Series CAD-PL recessed access door is designed for use in acoustic plaster walls and ceilings. The door panel is recessed 5/8" (16) and is lined with a self-furring metal lath to allow the insertion of plaster within the door panel. A 2 3/4" (70) wide metal lath extends from the perimeter of the frame. Only the thickness of the door and frame edges are exposed. It has a unique white finish.



**Material:** CAD-PL Series is 16 gage satin coat steel door and 16 gage satin coat steel frame. The CAD-PLSS Stainless Steel Series is 16 gage #304 stainless steel door and frame.

**Finish:** Satin coat steel doors have a primed white finish. Stainless steel doors have a #4 brush satin finish.

**Door:** Recessed 5/8" (15) door pan with self-furring metal lath to accept plaster.

**Frame:** Mounting flange is 1 1/8" (28) wide and recessed 5/8" (15) from the door and lined with a 2 3/4" (70) wide self-furring metal lath.

**Hinge:** Concealed pivot pins.

**Latch:** Standard - Flush mounted, screwdriver operated cam. Optional - Allen key, cylinder key, or vandal resistant latch. All of MIFAB's cylinder key lock are keyed alike.

**Packaging:** Individual pack.

**SUFFIX OPTIONAL VARIATIONS**

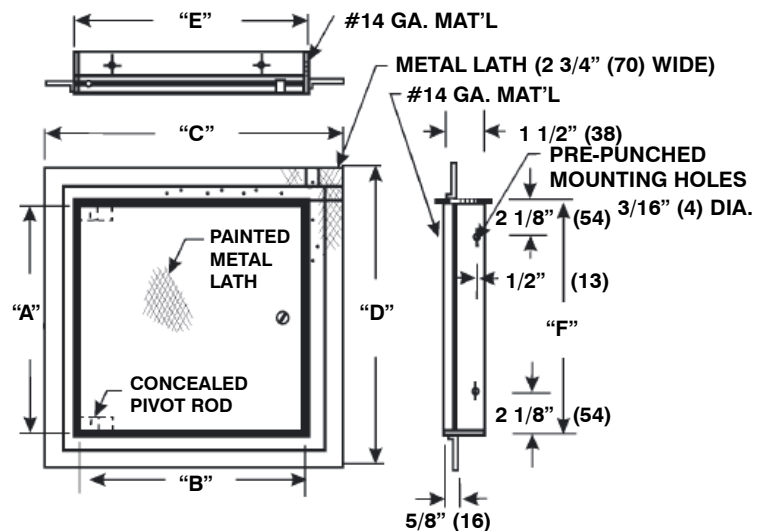
- A Allen key lock
- BA Buy American Act compliant product
- C Cylinder key lock
- PA Pennsylvania Steel Act compliant product
- VP Vandal resistant hardware (VP Screwdriver included)

"B" x "A"	WALL OPENING	SHIP WEIGHT (Lbs.)	LATCHES	MILD STEEL MODEL #	STAINLESS STEEL MODEL #
12" x 12"	12-3/16" x 12-3/16"	8.5	1	CAD-PL1212	CAD-PLSS1212
12" x 24"	12-3/16" x 24-3/16"	15.0	2	CAD-PL1224	CAD-PLSS1224
18" x 18"	18-3/16" x 18-3/16"	15.0	2	CAD-PL1818	CAD-PLSS1818
24" x 24"	24-3/16" x 24-3/16"	23.0	4	CAD-PL2424	CAD-PLSS2424
24" x 36"	24-3/16" x 36-3/16"	27.0	5	CAD-PL2436	CAD-PLSS2436

**A-B** Recess - Door Size - Minus 3/16" (4)

**C-D** Overall Dimensions - Door Size - Plus 5 1/2" (140)

**E-F** Wall Opening - Door Size - Plus 3/8" (9)



(Dimension) Denotes Millimetres

**Note:** The hinge is always furnished on the "A" or height (longer) dimension, unless otherwise specified.

Job Name: _____	Page No: _____
Section No: _____	Contract: _____
Schedule No: _____	Purchase Order No: _____