

Location: \_\_\_\_\_



**CAD-FL**

**CEILING OR WALL ACCESS DOOR,  
FLUSH DOOR WITH FRAME**

**Specification:** MIFAB Series CAD-FL access door is designed for flush installation in drywall or plaster surfaces. The door panel is flush with the frame. When installed flush with the wall or ceiling, only the door panel is exposed. A mounting bracket is recessed 5/8" (16) from the door. It has a unique white finish.



**Material:** CAD-FL Series is a 16 gage satin coat door and a 16 gage satin coat frame. The CAD-FLSS Stainless Steel Series is 16 gage #304 stainless steel door and frame.

**Finish:** Satin coat steel doors have a primed white finish. Stainless steel doors have a #4 brush satin finish.

**Door:** Flush to frame. Turned back around edges for extra rigidity.

**Frame:** Flush to surface. Mounting flange is 1 1/8" (28) wide and recessed 5/8" (15) from the door.

**Hinge:** Concealed pivot pins.

**Latch:** Standard – Flush mounted, screwdriver operated cam. Optional – Allen key, cylinder key, paddle latch, or vandal resistant latch. All of MIFAB's cylinder key locks are keyed alike.

**Packaging:** Individual pack.

**SUFFIX OPTIONAL VARIATIONS**

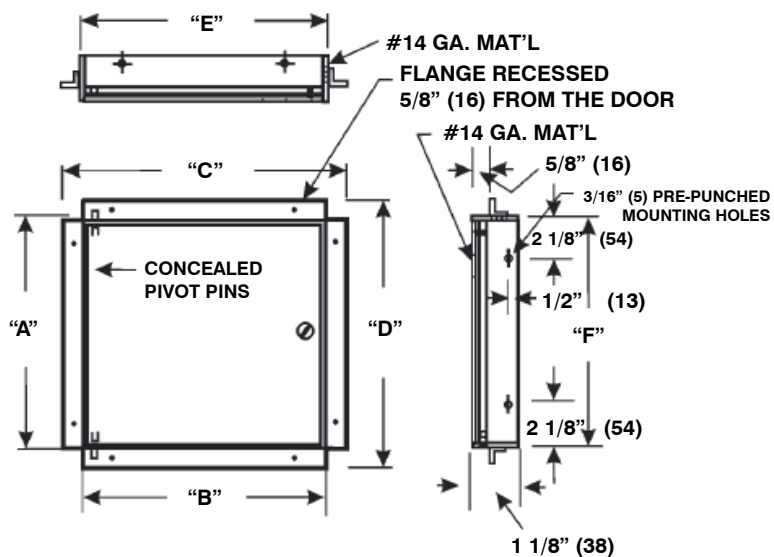
- A Allen key lock
- BA Buy American Act compliant product
- C Cylinder key lock
- PA Pennsylvania Steel Act compliant product
- PL Paddle latch
- VP Vandal resistant hardware  
(VP Screwdriver included)

"B" x "A"	WALL OPENING	SHIP WEIGHT (Lbs.)	LATCHES	MILD STEEL MODEL #	STAINLESS STEEL MODEL #
8" x 8"	6-3/16" x 8-3/16"	4.0	1	CAD-FL0808	CAD-FLSS0808
8" x 12"	8-3/16" x 12-3/16"	5.0	1	CAD-FL0812	CAD-FLSS0812
10" x 10"	10-3/16" x 10-3/16"	5.5	1	CAD-FL1010	CAD-FLSS1010
12" x 12"	12-3/16" x 12-3/16"	6.0	1	CAD-FL1212	CAD-FLSS1212
12" x 16"	12-3/16" x 16-3/16"	7.0	1	CAD-FL1216	CAD-FLSS1216
12" x 18"	12-3/16" x 18-3/16"	8.0	1	CAD-FL1218	CAD-FLSS1218
12" x 24"	12-3/16" x 24-3/16"	11.4	3	CAD-FL1224	CAD-FLSS1224
14" x 14"	14-3/16" x 14-3/16"	7.8	1	CAD-FL1414	CAD-FLSS1414
16" x 16"	16-3/16" x 16-3/16"	9.6	1	CAD-FL1616	CAD-FLSS1616
16" x 20"	16-3/16" x 20-3/16"	11.4	1	CAD-FL1620	CAD-FLSS1620
18" x 18"	18-3/16" x 18-3/16"	11.4	3	CAD-FL1818	CAD-FLSS1818
18" x 24"	18-3/16" x 24-3/16"	15.0	3	CAD-FL1824	CAD-FLSS1824
20" x 24"	20-3/16" x 24-3/16"	17.0	3	CAD-FL2024	CAD-FLSS2024
20" x 30"	20-3/16" x 30-3/16"	19.0	5	CAD-FL2030	CAD-FLSS2030
24" x 24"	24-3/16" x 24-3/16"	18.3	3	CAD-FL2424	CAD-FLSS2424
24" x 30"	24-3/16" x 30-3/16"	20.0	5	CAD-FL2430	CAD-FLSS2430
24" x 36"	24-3/16" x 36-3/16"	24.5	5	CAD-FL2436	CAD-FLSS2436
30" x 30"	30-3/16" x 30-3/16"	24.5	5	CAD-FL3030	CAD-FLSS3030
36" x 36"	36-3/16" x 36-3/16"	28.0	5	CAD-FL3636	CAD-FLSS3636

**A-B** Door Size

**C-D** Overall Dimensions - Door Size - Plus 2 1/4" (57)

**E-F** Wall Opening - Door Size - Plus 1/2" (13)



(Dimension) Denotes Millimetres

**Note:** The hinge is always furnished on the "A" or height (longer) dimension, unless otherwise specified.

Job Name: _____	Page No: _____
Section No: _____	Contract: _____
Schedule No: _____	Purchase Order No: _____