

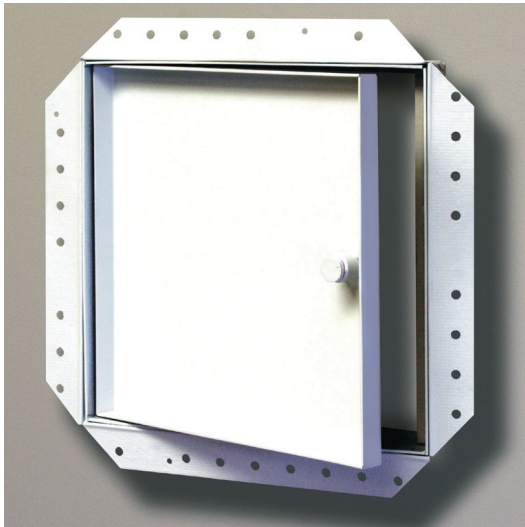
Location: \_\_\_\_\_



**CAD-DW**

**CEILING OR WALL ACCESS DOOR WITH DRYWALL BEAD**

**Specification:** MIFAB Series CAD-DW recessed access door is designed for use in acoustical, drywall, or tiled surfaces. The door panel is recessed 5/8" (16) to allow the insertion of various types of material. The outer frame has a galvanized drywall taping bead. Drywall cement can be applied over the beading at the same time as the wallboard joins and corners. It has a unique white finish.



**Material:** CAD-DW Series is 16 gage satin coat steel door and 16 gage satin coat steel frame. The CAD-DWSS is 16 gage #304 stainless steel door and frame.

**Finish:** Satin coat steel doors have a primed white finish. Stainless steel doors have a #4 brush satin finish.

**Door:** Recessed 5/8" (15) door pan to accept tile, drywall or other finishing materials.

**Frame:** Drywall corner bead on all sides.

**Hinge:** Concealed pivot pins.

**Latch:** Standard – Flush mounted, screwdriver operated cam.

Optional – Allen key, cylinder key, or vandal resistant latch. All of MIFAB's cylinder key locks are keyed alike.

**Packaging:** Individual pack.

**SUFFIX OPTIONAL VARIATIONS**

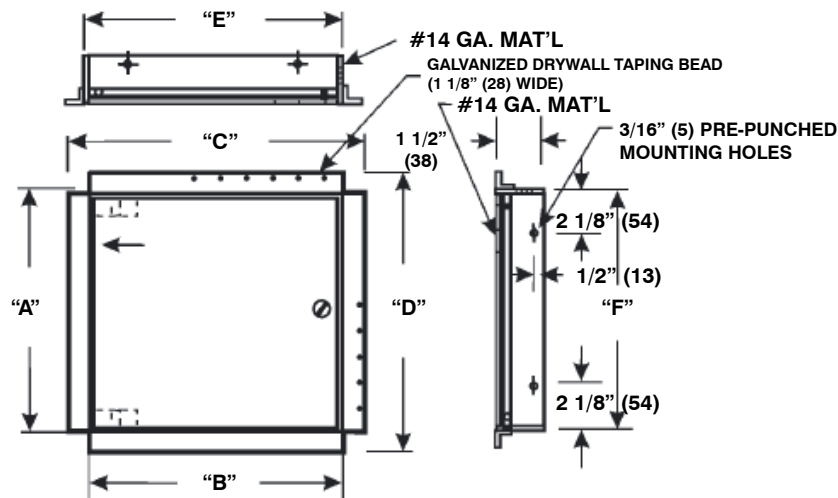
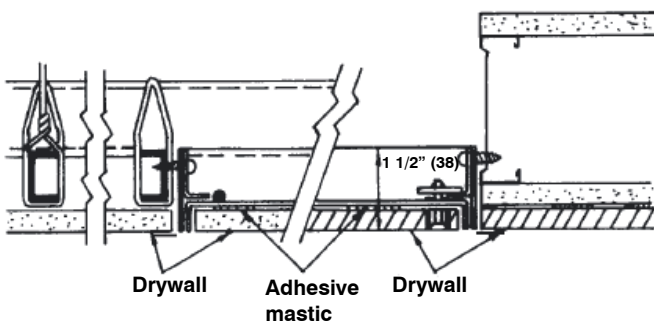
- A Allen key lock
- BA Buy American Act compliant product
- C Cylinder key lock
- PA Pennsylvania Steel Act compliant product
- VP Vandal resistant hardware (VP Screwdriver included)
- WR Water Resistant

"B" x "A"	WALL OPENING	SHIP WEIGHT (Lbs.)	LATCHES	MILD STEEL MODEL #	STAINLESS STEEL MODEL #
8" x 8"	8-3/16" x 8-3/16"	5.0	1	CAD-DW0808	CAD-DWSS0808
12" x 12"	12-3/16" x 12-3/16"	7.5	1	CAD-DW1212	CAD-DWSS1212
12" x 24"	12-3/16" x 24-3/16"	13.0	2	CAD-DW1224	CAD-DWSS1224
14" x 14"	14-3/16" x 14-3/16"	9.5	2	CAD-DW1414	CAD-DWSS1414
16" x 16"	16-3/16" x 16-3/16"	11.5	2	CAD-DW1616	CAD-DWSS1616
18" x 18"	18-3/16" x 18-3/16"	13.0	3	CAD-DW1818	CAD-DWSS1818
24" x 24"	24-3/16" x 24-3/16"	19.5	4	CAD-DW2424	CAD-DWSS2424
24" x 36"	24-3/16" x 36-3/16"	23.0	5	CAD-DW2436	CAD-DWSS2436

**A-B** Recess - Door Size - Minus 3/16" (4)

**C-D** Overall Dimensions - Door Size - Plus 2 1/4" (57)

**E-F** Wall Opening - Door Size - Plus 3/8" (9)



(Dimension) Denotes Millimetres

**Note:** The hinge is always furnished on the "A" or height (longer) dimension, unless otherwise specified.

Job Name: _____	Page No: _____
Section No: _____	Contract: _____
Schedule No: _____	Purchase Order No: _____