

SUBMITTAL/TECHNICAL DATA SHEET



DESCRIPTION

Coastal Zone Exterior Access Door is the industry's only high velocity and impact tested door. With a design pressure of +/- 80psf, this door is sure to withstand mother nature's toughest storms.

FEATURES

- Impact, Air + Wind Pressure Tested
- Insulated for Temperature Control
- Custom Sizes

SPECIFICATIONS

MODEL: BXTL-H/BXTA-H

DOOR: 24 gauge Steel

FRAME: .080 inch 6063-T5 Extruded Aluminum

SIZE:
Min: 18 inches by 18 inches
Max: 36 inches by 48 inches

INSTALLATION: Wall

FLANGE: 1 inch Exposed

HINGE: Stainless Steel Continuous Piano

FINISH: Paint Grip Door and Mill Flange

INSULATION: 2 inch Polyurethane; R-11

GASKETING: EPDM Self-Adhesive, Continuous

COMPLIANCE: Florida Product Approval # FL22309

WARRANTY: 1 year

For a complete list of options visit www.AccessDoorsAndPanels.com



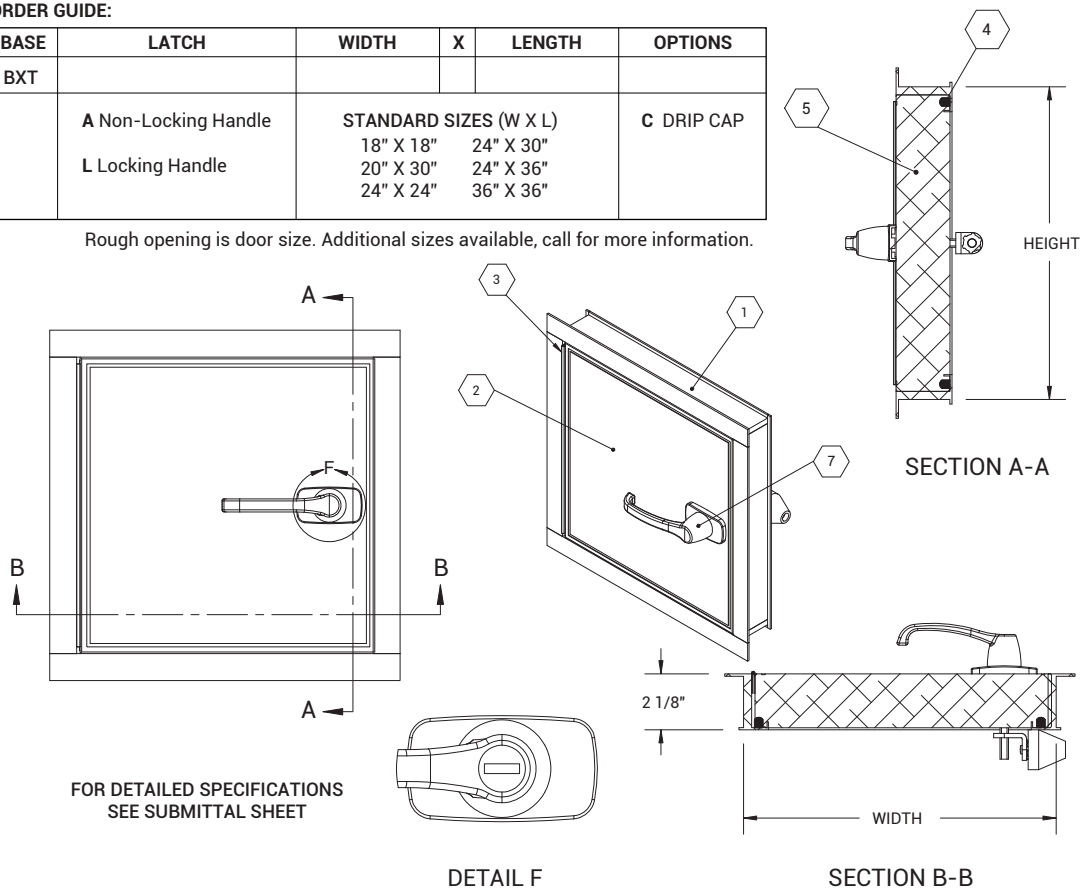
DIMENSIONS AND APPEARANCE

>> CLICK TO VIEW ADDITIONAL DETAILS AND PRICING <<

ORDER GUIDE:

BASE	LATCH	WIDTH	X	LENGTH	OPTIONS
BXT					
	A Non-Locking Handle	STANDARD SIZES (W X L)			C DRIP CAP
	L Locking Handle	18" X 18"	24" X 30"	20" X 30"	24" X 36"
		24" X 24"	36" X 36"		

Rough opening is door size. Additional sizes available, call for more information.



FOR DETAILED SPECIFICATIONS SEE SUBMITTAL SHEET

PROJECT DATA

Custom Sizes Available - Fast!

PROJECT NAME :	QTY	W	H	OPTIONS
ARCHITECT :				
DEALER :				
CONTRACTOR :				
LOCATION :	SPECIAL INSTRUCTIONS :			
DATE :				
TAGGING INSTRUCTIONS :	SUBMITTAL APPROVAL : (signature or stamp)			

Scan or Click



To view Pricing and Additional Product Info.

TELEPHONE:
1-888-457-1275
FAX:
1-888-626-2907



PO BOX 66738 #76520,
SAINT LOUIS, MO
63166-6738
USA

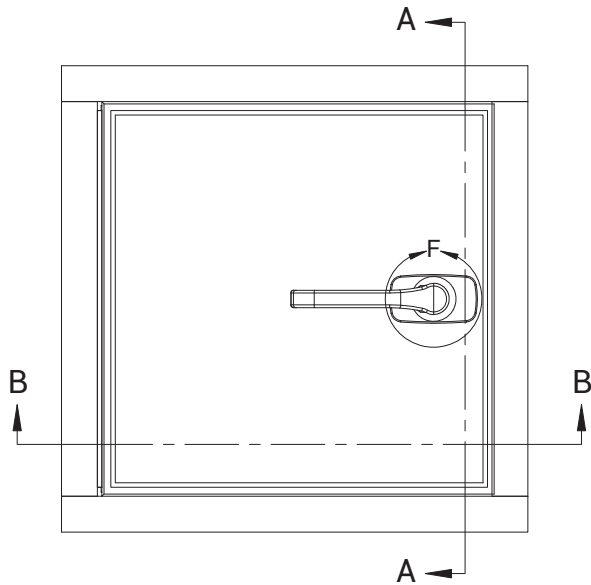


WEBSITE:
www.AccessDoorsAndPanels.com
E-MAIL:
info@AccessDoorsAndPanels.com



BXTL-H

COASTAL ZONE ACCESS DOOR



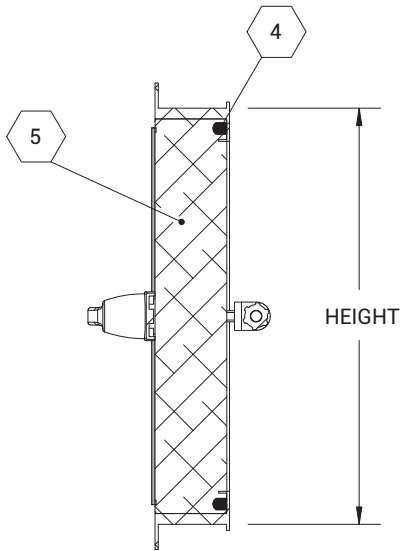
NOTES:

- ① FRAME: 6063-T5 Ext Aluminum, Mill Finish
- ② DOOR:
- ③ HINGE:
- ④ GASKET: EPDM Self-adhesive, Continuous Four Sides
- ⑤ INSULATION: Foam Insulation, 2-1/4lb Density, 12 R-Value
- ⑥ LATCH: No Latch
- ⑦ LOCK: Lockable Handle

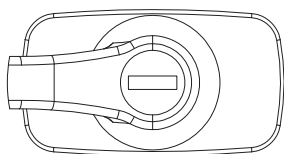
OPTIONS:

Drip Cap (C)

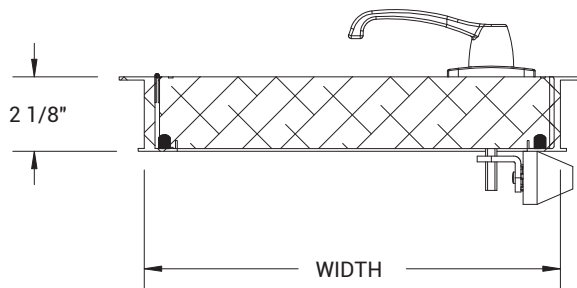
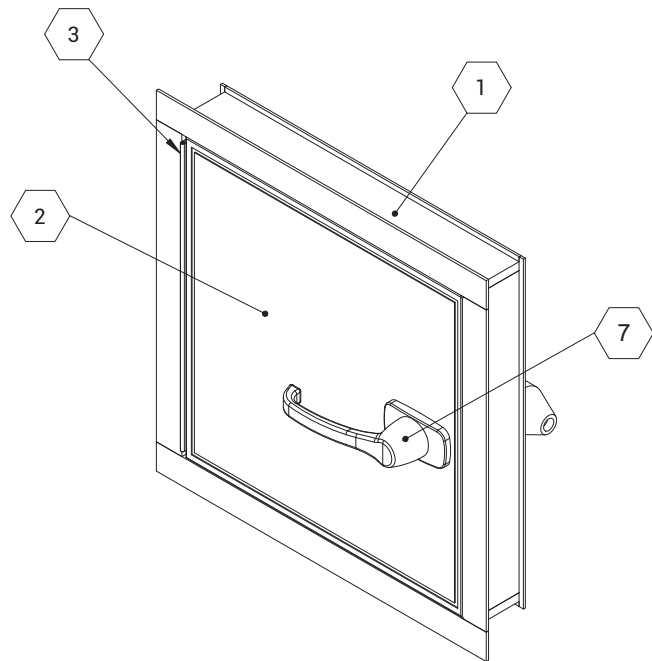
ROUGH OPENING: W" X H"
CLEAR OPENING: W - 3.75" X H - 2.25"
DEGREE OF OPENING: 180°
LATCHING POINTS: Varies



SECTION A-A



DETAIL F



SECTION B-B



BXTL-H

COASTAL ZONE ACCESS DOOR

