

# SUBMITTAL/TECHNICAL DATA SHEET



## DESCRIPTION

Fire-Rated Uninsulated Access Door provides access through openings in fire-rated vertical surfaces.

## FEATURES

- Fire-Rated
- Self-Closing
- Wall Installation Only
- Custom Sizing

## SPECIFICATIONS

MODEL: BUT/BUW/BUP

DOOR: 14 gauge Steel

FRAME: 16 gauge Steel

SIZE:  
 Min: 6 inches by 6 inches  
 BUT: Max: 24 inches by 72 inches or 48 inches by 48 inches  
 BUW/BUP: Max: 36 inches by 48 inches

INSTALLATION: Wall

FLANGE: 1 inch Exposed, Drywall Bead or Plaster Bead

HINGE:  
 BUT: Flush Continuous Piano  
 BUW/BUP: Concealed Pin

CERTIFICATION: UL listed "B" label for 1-1/2 hours

FINISH: White Powder Coat

WARRANTY: 1 year

OPTIONS: Flanges, Latches, Materials, Gaskets, Anchors



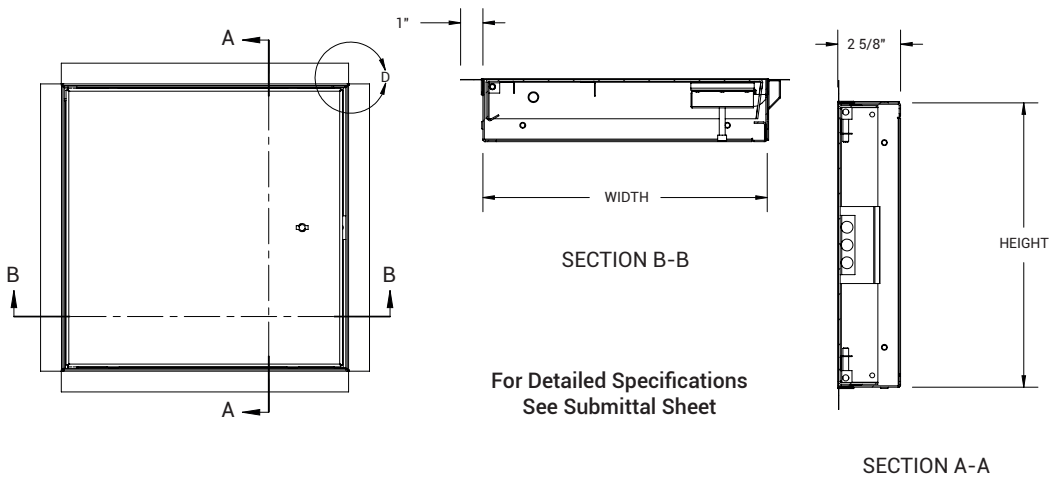
## DIMENSIONS AND APPEARANCE

>> CLICK TO VIEW ADDITIONAL DETAILS AND PRICING <<

### ORDER GUIDE:

BASE	FLANGE	LATCH	WIDTH	X	LENGTH	OPTIONS
BU						
	T 1 inch Flange	K Knurled Knob / Key Operated Latch Bolt	STANDARD SIZES (W X L)			B Galvannealed
	W Drywall Bead	M Mortise Lock (1-1/8" Prep)	8" X 8"	18" X 18"	24" X 30"	G Gasketing
	P Plaster Bead		10" X 10"	18" X 24"	24" X 36"	M Masonry Anchors
			12" X 12"	20" X 30"	24" X 48"	S Type 304 Stainless Steel
			12" X 18"	22" X 22"	30" X 30"	
			12" X 24"	22" X 30"	32" X 32"	
			14" X 14"	22" X 36"	36" X 36"	
			16" X 16"	24" X 24"	36" X 48"	

Rough opening is door size + 1/4 inch minimum. Additional sizes available, call for more information.



For a complete list of options visit [www.AccessDoorsAndPanels.com](http://www.AccessDoorsAndPanels.com)

## PROJECT DATA

Custom Sizes Available - Fast!

Scan or Click



To view Pricing and Additional Product Info.

PROJECT NAME :	QTY	W	H	OPTIONS
ARCHITECT :				
DEALER :				
CONTRACTOR :				
LOCATION :	SPECIAL INSTRUCTIONS :			
DATE :	SUBMITTAL APPROVAL : (signature or stamp)			
TAGGING INSTRUCTIONS :				

TELEPHONE:  
1-888-457-1275  
 FAX:  
1-888-626-2907



PO BOX 66738 #76520,  
 SAINT LOUIS, MO  
 63166-6738  
 USA

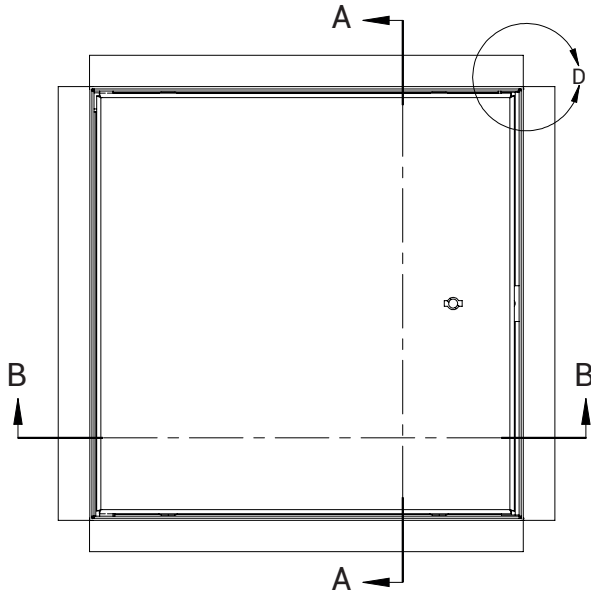


WEBSITE:  
[www.AccessDoorsAndPanels.com](http://www.AccessDoorsAndPanels.com)  
 E-MAIL:  
[info@AccessDoorsAndPanels.com](mailto:info@AccessDoorsAndPanels.com)



# BUW

# UNINSULATED FIRE-RATED SECURITY ACCESS DOOR



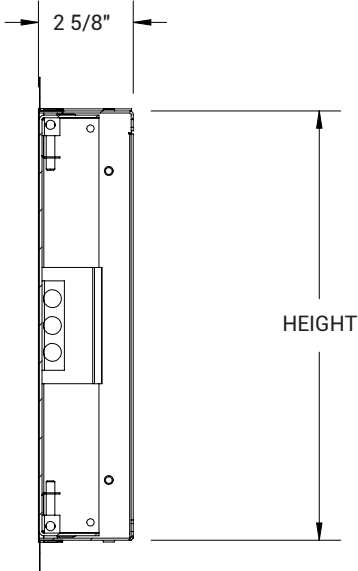
**NOTES:**

- ① FRAME:
- ② DOOR: Cold Rolled Steel, 14 ga
- ③ FINISH: White Powder Coat
- ④ HINGE:
- ⑤ SECONDARY LATCH: Varies
- ⑥ LOCK: Knurled Knob/Keyed Slam Latch

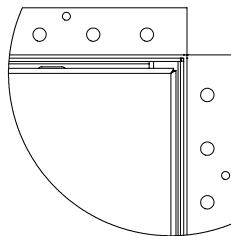
**OPTIONS:**

- Gasket Installed (G)
- Masonry Anchors (M)

ROUGH OPENING: W + 0.25" X H + 0.25"  
CLEAR OPENING: W - 2.375" X H - 1.125"  
DEGREE OF OPENING: 120°

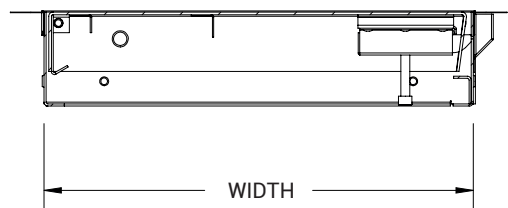
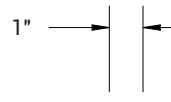
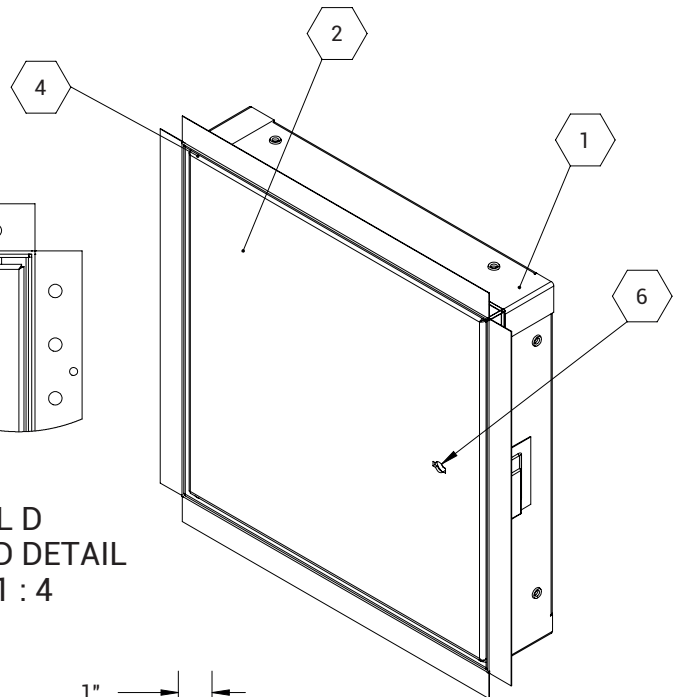


SECTION A-A



DETAIL D  
DRYWALL BEAD DETAIL  
SCALE 1 : 4

VERTICAL  
1-1/2 HOUR "B" LABEL



SECTION B-B



# BUW

# UNINSULATED FIRE-RATED SECURITY ACCESS DOOR

