

# SUBMITTAL/TECHNICAL DATA SHEET



## DESCRIPTION

Double Door SafeMAX Smoke Vent provides UL793 listed performance and is engineered with metal covers providing an emphasis on reliability and affordability. SafeMAX Smoke Vents are ideal for factory and storage/warehouse occupancies.

## FEATURES

- Greater Effective Vent Area
- Double Leaf Design
- Optional Winch or Linear Actuator
- UL Listed

## SPECIFICATIONS

**DOOR:** Double Leaf

### MATERIAL:

Aluminum: 11 gauge

Steel: 14 gauge galvalneal

### FINISH:

Aluminum: Mill

Steel: Powder Coat, High Reflectance

White

**COVER:** Formed metal cover with liner internally stiffened to withstand a live load of 40psf.

**CURB:** Single wall curb with EZ tab counterflash and mounting flange.

**INSULATION:** 1 inch polyiso R-6 in cover and around curb.

**GASKET:** Extruded EPDM adhesive backed gasket seal, continuous around cover.

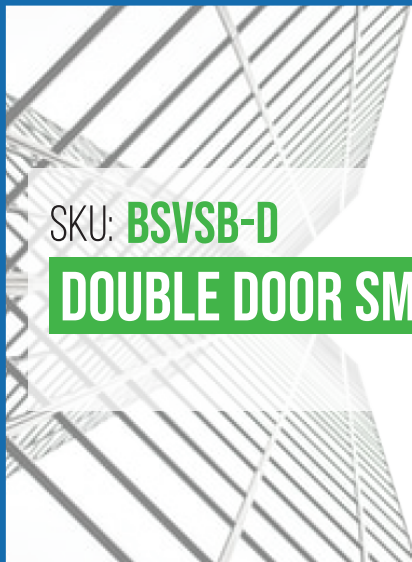
**HINGE:** Heavy-duty pintle hinge with stainless steel hinge pins.

**HOLD OPEN ARM:** Zinc plated steel automatic hold open arm locks cover in open position.

**LATCH:** Zinc plated steel rotary latch designed to hold covers closed against 90psf for double doors. Opens manually by external and internal pull cables. Opens automatically with a fusible link at standard temperature 165°F.

**WARRANTY:** 5 year

For a complete list of options visit [www.AccessDoorsAndPanels.com](http://www.AccessDoorsAndPanels.com)



SKU: **BSVSB-D**

## DOUBLE DOOR SMOKE VENT

SAFEMAX™



## DIMENSIONS AND APPEARANCE

>> CLICK TO VIEW ADDITIONAL DETAILS AND PRICING <<

### ORDER GUIDE:

BASE	MATERIAL	W	X	L	DOOR	CURB	OPENING	LINK TEMP	CLOSING	OPTIONS		
BSVS					D				R	-		
	A - Aluminum Curb & Cover	STANDARD SIZES (IN.)			D - Double Leaf	1 - SINGLE WALL 2 - DOUBLE WALL 3 - CURB MOUNT	N - NO ELECTRICAL	165	R - ROOFTOP CLOSE	OP1 - DOOR POSITION SENSOR		
	B - Steel Curb and Aluminum Cover	48" X 48"	48" X 72"	48" X 96"			L - 24VDC/24VAC	212			280	W - MANUAL WINCH
	W - Steel Curb and Cover	72" X 72"	60" X 60"	H - 110VAC/240VAC			350	360			450	L - LINEAR ACTUATOR

Additional sizes and options available, call for more information.

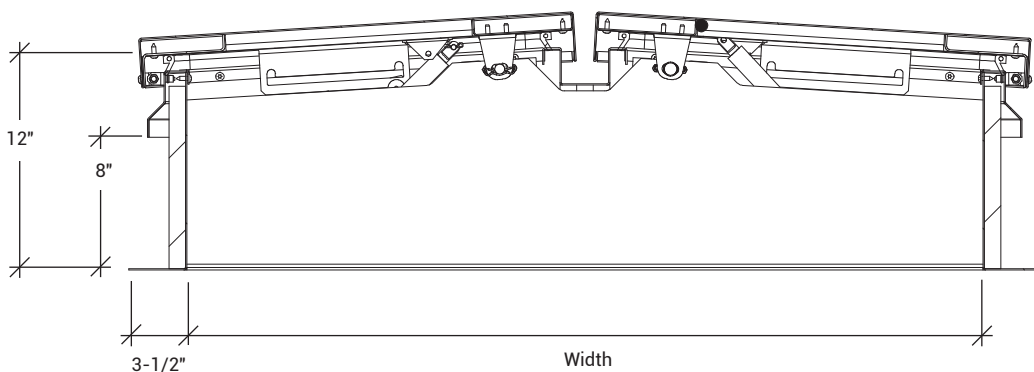
### SPECIFICATIONS:

SPRINGS: Gas spring with damper opens cover against 10psf snow load in not less than 2 sec.

Certification: UL 793 listed

Minimum Size: 48 inches by 48 inches

Maximum Size: 60 inches by 120 inches | 72 inches by 96 inches.



## PROJECT DATA

Custom Sizes Available - Fast!

PROJECT NAME :	QTY	W	H	OPTIONS
ARCHITECT :				
DEALER :				
CONTRACTOR :				
LOCATION :	SPECIAL INSTRUCTIONS :			
DATE :	SUBMITTAL APPROVAL : (signature or stamp)			
TAGGING INSTRUCTIONS :				

Scan or Click



To view Pricing and Additional Product Info.

TELEPHONE:  
1-888-457-1275  
FAX:  
1-888-626-2907

PO BOX 66738 #76520,  
SAINT LOUIS, MO  
63166-6738  
USA



WEBSITE:  
[www.AccessDoorsAndPanels.com](http://www.AccessDoorsAndPanels.com)  
E-MAIL:  
[info@AccessDoorsAndPanels.com](mailto:info@AccessDoorsAndPanels.com)