

SUBMITTAL/TECHNICAL DATA SHEET



DESCRIPTIONS

Single Door SafeMAX Smoke Vent provides UL793 listed performance and is engineered with metal covers providing an emphasis on reliability and affordability. The single door configuration is ideal for factory and storage/warehouse occupancies along with hoist way and elevator shafts.

FEATURES

- Greater Effective Vent Area
- Optional Louvered Curb
- UL Listed
- FM Approved

SPECIFICATIONS

DOOR: Single Leaf

MATERIAL:

Aluminum: 11 gauge
Steel: 14 gauge galvalneal

COVER: Formed metal cover with liner internally stiffened to withstand a live load of 40psf

CURB: Single wall curb with EZ tab counterflash and mounting flange.

INSULATION: 1 inch polyiso R-6 in cover and around curb.

GASKET: Extruded EPDM adhesive backed gasket seal, continuous around cover.

HINGE: Heavy-duty pintle hinge with stainless steel hinge pins.

SPRINGS: Gas spring with damper opens cover against 10psf snow load in not less than 2 seconds.

HOLD OPEN ARM: Zinc plated steel automatic hold open arm locks cover in open position.

FINISH:

Aluminum: Mill
Steel: Powder Coat, Red Oxide

WARRANTY: 5 year

For a complete list of options visit www.AccessDoorsAndPanels.com



SKU: **BSVSA-S**

SAFEMAX™ SINGLE DOOR SMOKE VENT

ALUMINUM CURB & COVER



DIMENSIONS AND APPEARANCE

>> [CLICK TO VIEW ADDITIONAL DETAILS AND PRICING](#) <<

ORDER GUIDE:

BASE	FLANGE	WIDTH	X	LENGTH	DOOR	CURB	OPENING	LINK TEMP	CLOSING R	OPTIONS
BSVS					S					
	A - ALUMINUM CURB & COVER	30" X 30" 36" X 30" 36" X 36" 48" X 48" 48" X 72" 48" X 96"			S - SINGLE DOOR	1 - SINGLE WALL 2 - DOUBLE WALL 3 - CURB MOUNT	N - NO ELECTRICAL L - 24VDC/24VAC H - 110VAC / 240VAC	165 212 280 350 360 450	R - Rooftop Close	SFM - FM Labeled OP1 - Door Position Sensor B__ - Burglar Bars

Additional sizes and options available, call for more information.

For Detailed Specifications See Submittal Sheet

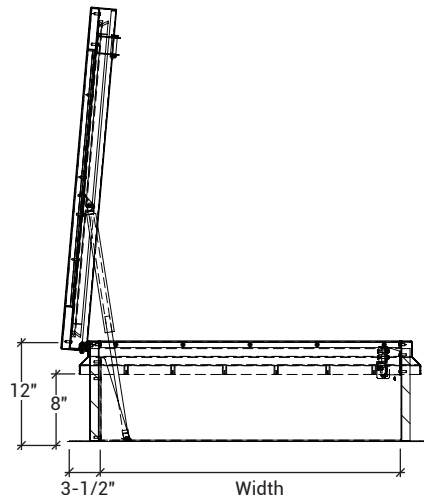


Certification: UL 793 listed

LATCH: Zinc plated steel rotary latch designed to hold covers closed against 30psf for single doors. Opens manually by external and internal pull cables. Opens automatically with a fusible link at standard temperature 165°F.

Minimum Size: 18 inches by 18 inches

Maximum Size: 48 inches by 96 inches



PROJECT DATA

Custom Sizes Available - Fast!

PROJECT NAME :	QTY	W	H	OPTIONS
ARCHITECT :				
DEALER :				
CONTRACTOR :				
LOCATION :	SPECIAL INSTRUCTIONS :			
DATE :				
TAGGING INSTRUCTIONS :	SUBMITTAL APPROVAL : (signature or stamp)			

Scan or Click



To view Pricing and Additional Product Info.

TELEPHONE:
1-888-457-1275
FAX:
1-888-626-2907



PO BOX 66738 #76520,
SAINT LOUIS, MO
63166-6738
USA

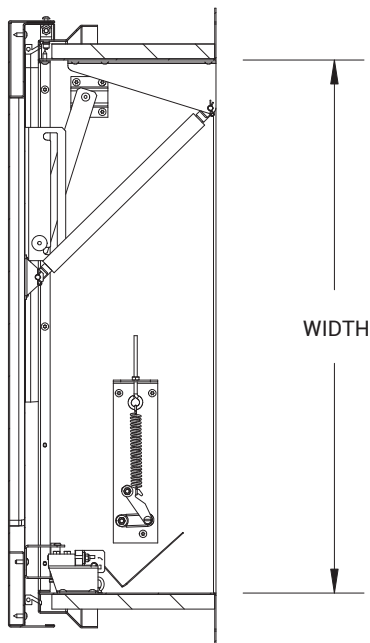
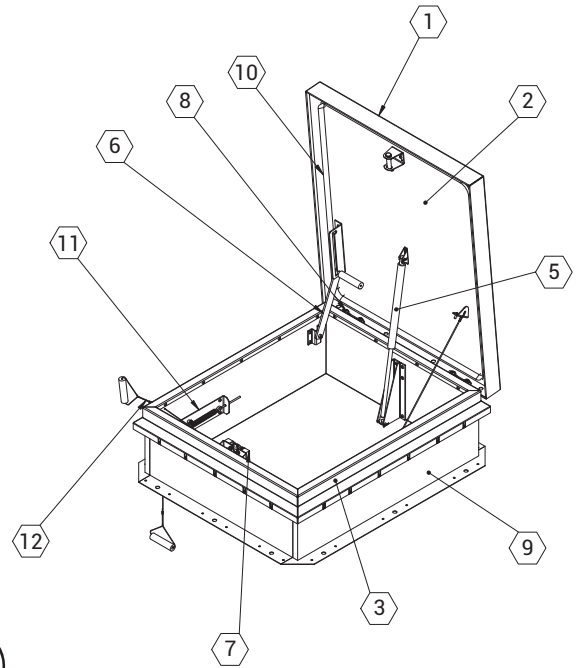
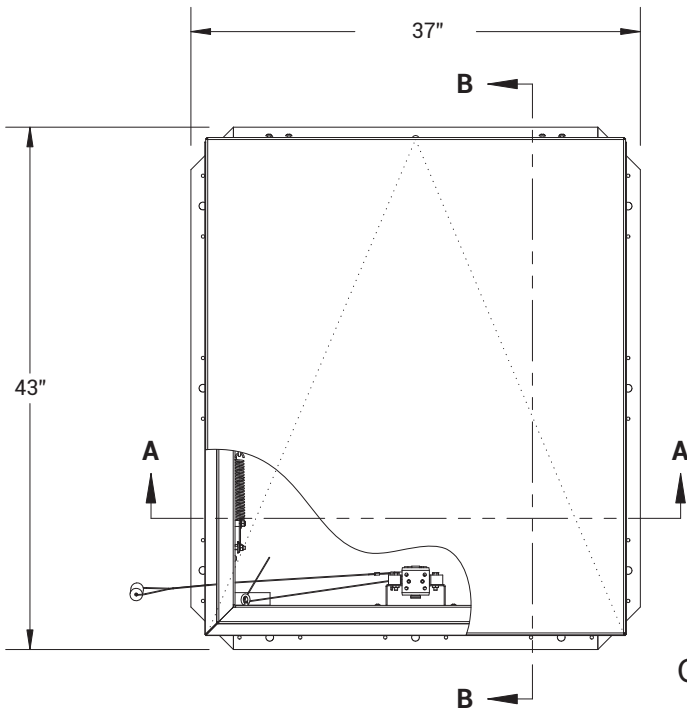


WEBSITE:
www.AccessDoorsAndPanels.com
E-MAIL:
info@AccessDoorsAndPanels.com



BSVSA-S

SINGLE DOOR SAFEMAX™ SMOKE VENT - ALUMINUM CURB & COVER



SECTION B-B

SPECIFICATIONS:

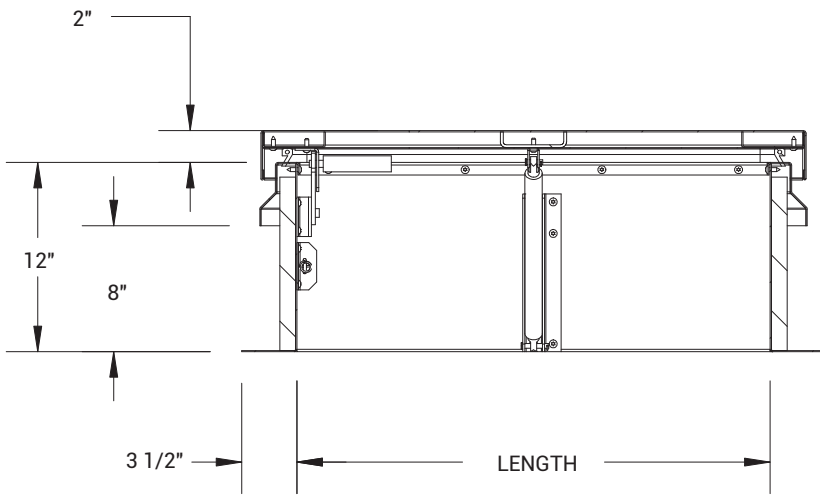
- ① **COVER:** 11 GAUGE ALUMINUM COVER STIFFENED TO WITHSTAND A LIVE LOAD OF 40 PSF WITH A MAX DEFLECTION OF 1/150 OF THE SPAN
- ② **LINER:** 18 GAUGE ALUMINUM.
- ③ **CURB AND COUNTERFLASH W/ EZ TAB:** 11 GAUGE ALUMINUM.
- ④ **FINISH:** COVER: MILL CURB: MILL
- ⑤ **GAS SPRING WITH DAMPER:** DESIGNED TO OPEN AGAINST A 10PSF SNOW LOAD IN NOT LESS THAN 2 SECONDS
- ⑥ **HOLD OPEN ARM:** LOCK COVER IN FULLY OPEN POSITION ZINC PLATED STEEL.
- ⑦ **LATCH:** ZINC PLATED ROTARY LATCH ASSEMBLY DESIGNED TO HOLD COVERS CLOSED AGAINST 30 PSF WIND UPLIFT ZINC PLATED STEEL LATCH STRIKERS ON COVERS.
- ⑧ **HINGES:** ZINC PLATED STEEL WITH STAINLESS STEEL HINGE PINS
- ⑨ **INSULATION:** 1" POLYISOCYANURATE IN COVER AND AROUND CURB PERIMETER, R-VALUE 6
- ⑩ **GASKET:** ADHESIVE BACKED EPDM RUBBER EXTRUSION
- ⑪ **THERMAL RELEASE MECHANISM:** VENT COVERS OPEN THERMALLY BY HEAT AT FUSIBLE LINK TEMPERATURE
- ⑫ **MANUAL OPENING:** VENT COVERS OPEN WITH INTERNAL AND EXTERNAL MANUAL PULL HANDLE, 1/16" DIA SST CABLE

SMOKE VENT SIZ:
36" (WIDTH) x 30" (LENGTH)

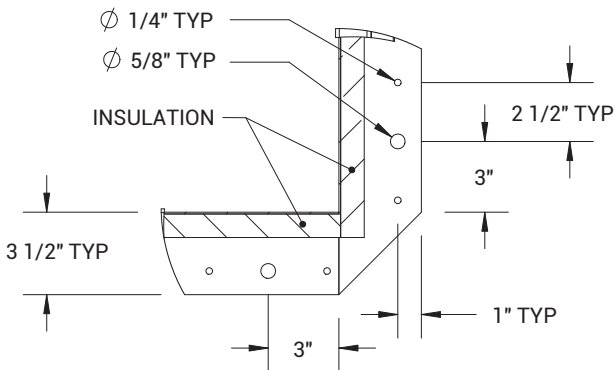
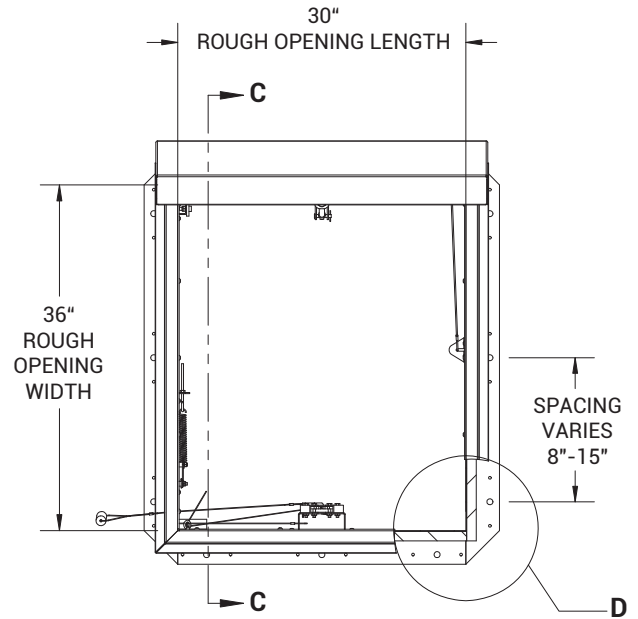


BSVSA-S

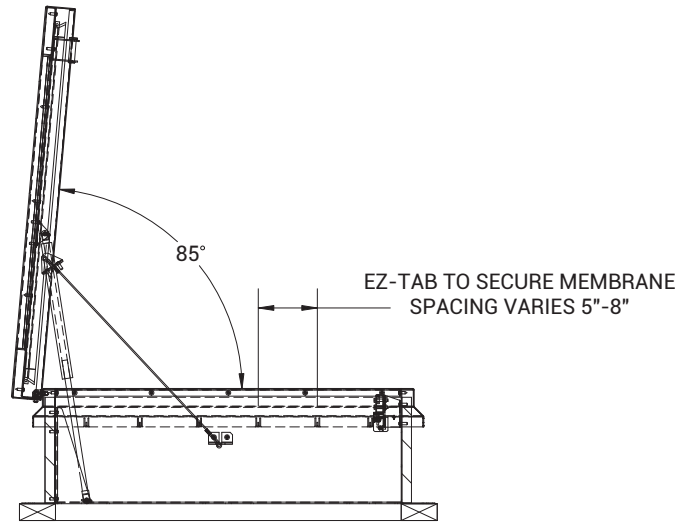
SINGLE DOOR SAFEMAX™ SMOKE VENT - ALUMINUM CURB & COVER



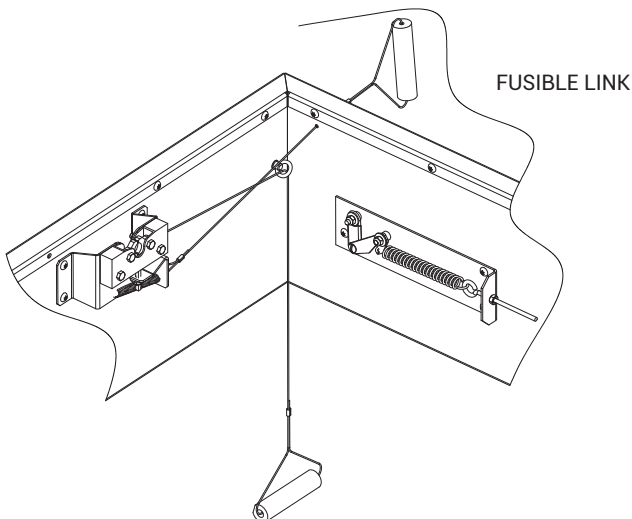
SECTION A-A



DETAIL D



SECTION C-C



FUSIBLE LINK

SMOKE VENT COVER OPENS WHEN ACTIVATED BY:

A. THERMAL RELEASE MECHANISM: RELEASED BY HEAT WITH A UL LISTED FUSIBLE LINK AT TEMPERATURE 1650000°F
OPTIONS: 165°F, 212°F, 280°F, 350°F, 360°F, 370°F, 386°F, 450°F

B. MANUAL OPENING: RELEASED BY EXTERNAL AND INTERNAL PULL CABLES WITH HANDLES AND 5FT OF INTERNAL CABLE PROVIDED

CONCRETE/WOOD/OTHER
MATERIAL PROVIDED BY OTHER
NIC