

SUBMITTAL/TECHNICAL DATA SHEET



DESCRIPTION

The Quad Door SafeMAX Smoke Vent provides UL793 listed performance and is engineered with metal covers providing an emphasis on reliability and affordability. SafeMAX Smoke Vents are ideal for factory and storage/warehouse occupancies.

FEATURES

- Quad Leaf Design
- Optional Winch or Linear Actuator
- UL Listed

SPECIFICATIONS

DOOR: Quad Leaf

MATERIAL:
Aluminum: 11 gauge
Steel: 14 gauge galvalneal

FINISH: Aluminum: Mill
Steel: Powder Coat, High Reflectance White

COVER: Formed metal cover with liner internally stiffened to withstand a live load of 40psf.

CURB: Single wall curb with EZ tab counterflash and mounting flange.

INSULATION: 1 inch polyiso R-6 in cover and around curb.

GASKET: Extruded EPDM adhesive backed gasket seal, continuous around cover.

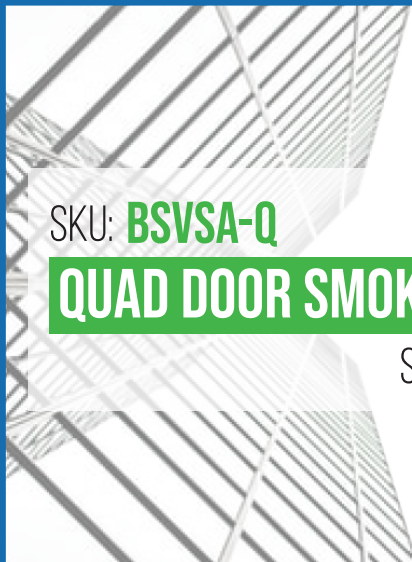
HINGE: Heavy-duty pintle hinge with stainless steel hinge pins.

HOLD OPEN ARM: Zinc plated steel automatic hold open arm locks cover in open position.

LATCH: Zinc plated steel rotary latch designed to hold covers closed against 90psf for quad doors. Opens manually by external and internal pull cables. Opens automatically with a fusible link at standard temperature 165°F.

WARRANTY: 5 year

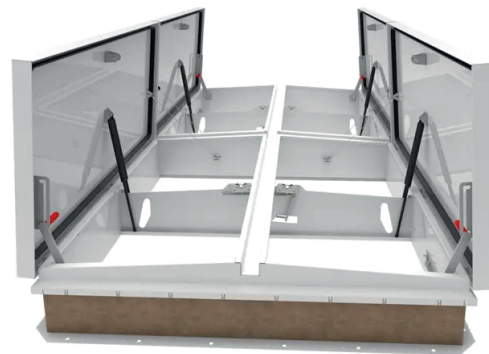
For a complete list of options visit www.AccessDoorsAndPanels.com



SKU: **BSVSA-Q**

QUAD DOOR SMOKE VENT

SAFEMAX™



DIMENSIONS AND APPEARANCE

>> CLICK TO VIEW ADDITIONAL DETAILS AND PRICING <<

ORDER GUIDE:

BASE	MATERIAL	W	X	L	DOOR	CURB	OPENING	LINK TEMP	CLOSING	OPTIONS
BSVS					Q				R	-
	A - Aluminum Curb & Cover	STANDARD SIZES (IN.)			Q - Quad Leaf	1 - SINGLE WALL 2 - DOUBLE WALL 3 - CURB MOUNT	N - NO ELECTRICAL L - 24VDC/24VAC H - 110VAC/240VAC A - LINEAR ACTUATOR	165	R - ROOFTOP CLOSE W - MANUAL WINCH L - LINEAR ACTUATOR	SFM - FM LABELED OP1 - DOOR POSITION SENSOR B - BURGLAR BARS
	B - Steel Curb and Aluminum Cover	48" X 48"						212		
		48" X 72"						280		
		48" X 96"						350		
	W - Steel Curb and Cover	60" X 60"						360		
		60" X 96"						450		
		60" X 120"								
		72" X 72"								
		72" X 96"								

Additional sizes and options available, call for more information.

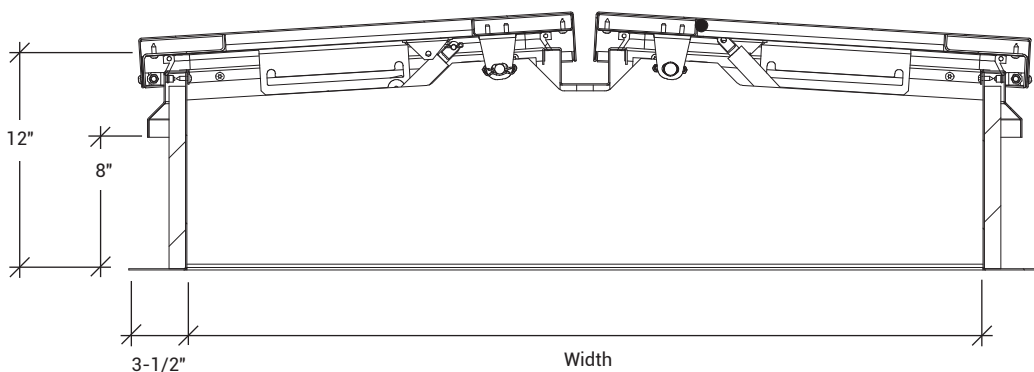
SPECIFICATIONS:

SPRINGS: Gas spring with damper opens cover against 10psf snow load in not less than 2 sec.

Certification: UL 793 listed

Minimum Size: 48 inches by 96 inches

Maximum Size: 60 inches by 240 inches | 72 inches by 192 inches.



PROJECT DATA

Custom Sizes Available - Fast!

PROJECT NAME :	QTY	W	H	OPTIONS
ARCHITECT :				
DEALER :				
CONTRACTOR :				
LOCATION :	SPECIAL INSTRUCTIONS :			
DATE :	SUBMITTAL APPROVAL : (signature or stamp)			
TAGGING INSTRUCTIONS :				

Scan or Click



To view Pricing and Additional Product Info.

TELEPHONE:
1-888-457-1275
FAX:
1-888-626-2907

PO BOX 66738 #76520,
SAINT LOUIS, MO
63166-6738
USA



WEBSITE:
www.AccessDoorsAndPanels.com
E-MAIL:
info@AccessDoorsAndPanels.com