

SUBMITTAL/TECHNICAL DATA SHEET



DESCRIPTION

Single Door LightMAX Smoke Vent provides UL793 listed performance and is engineered with metal covers providing an emphasis on reliability and affordability. The single door configuration is ideal for factory and storage/warehouse occupancies along with hoist way and elevator shafts.

FEATURES

- Single Door
- Multi-wall Light Transmission
- Optional Dome
- Optional Winch or Linear Actuator
- UL Listed

SPECIFICATIONS

DOOR: Single Leaf

MATERIAL:
Aluminum: 11 gauge
Steel: 14 gauge galvalneal

FINISH: Aluminum: Mill
Steel: Powder Coat, High Reflectance White

CURB: Single wall curb with EZ tab counterflash and mounting flange.

INSULATION: 1 inch polyiso R-6 in cover frame edge and around curb.

GASKET: Extruded EPDM adhesive backed gasket seal, continuous around cover.

HINGE: Heavy-duty pintle hinge with stainless steel hinge pins.

HOLD OPEN ARM: Zinc plated steel automatic hold open arm locks cover in open position.

SPRINGS: Gas spring with damper opens cover against 10psf snow load in not less than 2 sec.

CERTIFICATION: UL 793 listed.

MINIMUM SIZE: 18 inches by 18 inches.

MAXIMUM SIZE: 48 inches by 96 inches.

WARRANTY: 5 year

For a complete list of options visit www.AccessDoorsAndPanels.com



SKU: **BSVLB-S**

SINGLE DOOR SMOKE VENT

LIGHTMAX™

DIMENSIONS AND APPEARANCE

>> CLICK TO VIEW ADDITIONAL DETAILS AND PRICING <<

ORDER GUIDE:

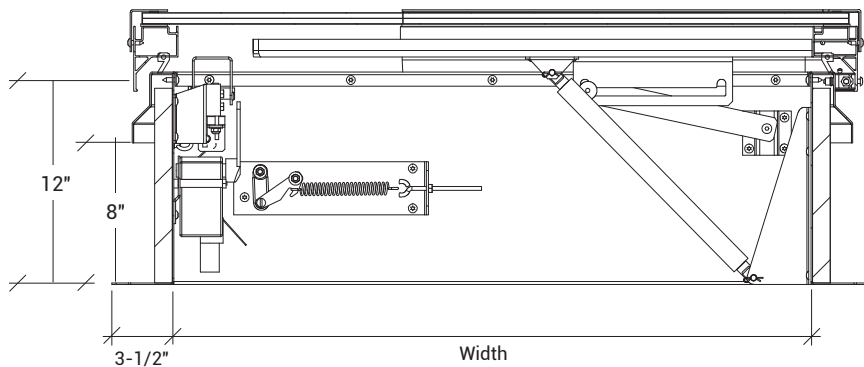
BASE	MATERIAL	W	X	L	DOOR	CURB	OPENING	LINK TEMP	CLOSING	OPTIONS	
BSVL					S				R	-	
	A - Aluminum Curb & Cover	STANDARD SIZES (IN.)			S - Single Door	1 - SINGLE WALL	N - NO ELECTRICAL	165	R - ROOFTOP CLOSE	DOME, POLYCARB. LPW - WHITE, LPC - CLEAR	
	B - Steel Curb and Aluminum Cover	30" X 30"				2 - DOUBLE WALL	L - 24VDC/24VAC	212	W - MANUAL WINCH	DOUBLE DOME, POLYCARB. LPWW - WHITE/WHITE LPCW - CLEAR/WHITE	
		36" X 30"				3 - CURB MOUNT	H - 110VAC/240VAC	280			
		36" X 36"						360			
		48" X 48"					450		MULTIWALL LMC - CLEAR, LMB - BLUE LMZ - BRONZE LMG - GREEN		

Additional sizes and options available, call for more information.



LATCH: Zinc plated steel rotary latch designed to hold covers closed against 30psf for single doors. Opens manually by external and internal pull cables. Opens automatically with a fusible link at standard temperature 165°F.

COVER: Extruded aluminum with 5/8 inch structural multi-wall white polycarbonate. Cover withstands a live load of 40psf.



PROJECT DATA

Custom Sizes Available - Fast!

PROJECT NAME :	QTY	W	H	OPTIONS
ARCHITECT :				
DEALER :				
CONTRACTOR :				
LOCATION :	SPECIAL INSTRUCTIONS :			
DATE :	SUBMITTAL APPROVAL : (signature or stamp)			
TAGGING INSTRUCTIONS :				

Scan or Click



To view Pricing and Additional Product Info.

TELEPHONE:
1-888-457-1275
FAX:
1-888-626-2907



PO BOX 66738 #76520,
SAINT LOUIS, MO
63166-6738
USA



WEBSITE:
www.AccessDoorsAndPanels.com
E-MAIL:
info@AccessDoorsAndPanels.com