

SUBMITTAL/TECHNICAL DATA SHEET



DESCRIPTION

Double Door LightMAX Smoke Vent is engineered with translucent covers using polycarbonate for the added sustainability benefit of natural daylighting. With options like color panels, and electrical operation, Babcock-Davis is sure to meet your building sustainability and fire and life safety needs.

FEATURES

- Double Leaf Design
- Multi-wall Light Transmission
- Optional Dome
- Optional Winch or Linear Actuator
- UL Listed

SPECIFICATIONS

DOOR: Double Leaf

MATERIAL:

Aluminum: 11 gauge
Steel: 14 gauge galvalneal

FINISH:

Aluminum: Mill
Steel: Powder Coat, High Reflectance White

CURB: Single wall curb with EZ tab counterflash and mounting flange.

INSULATION: 1 inch polyiso R-6 in cover frame edge and around curb.

GASKET: Extruded EPDM adhesive backed gasket seal, continuous around cover.

HINGE: Heavy-duty pintle hinge with stainless steel hinge pins.

HOLD OPEN ARM: Zinc plated steel automatic hold open arm locks cover in open position.

SPRINGS: Gas spring with damper opens cover against 10psf snow load in not less than 2 sec.

CERTIFICATION: UL 793 listed.

MINIMUM SIZE: 48 inches by 48 inches.

MAXIMUM SIZE: 60 inches by 120 inches, 72 inches by 96 inches.

WARRANTY: 5 year

For a complete list of options visit www.AccessDoorsAndPanels.com



SKU: **BSVLB-D**

DOUBLE DOOR SMOKE VENT

LIGHTMAX™

DIMENSIONS AND APPEARANCE

>> CLICK TO VIEW ADDITIONAL DETAILS AND PRICING <<

ORDER GUIDE:

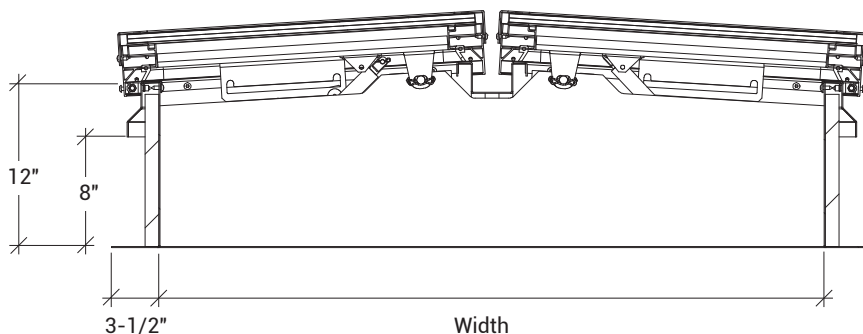
BASE	MATERIAL	W	X	L	DOOR	CURB	OPENING	LINK TEMP	CLOSING	OPTIONS
BSVL					D				R	-
	A - Aluminum Curb & Cover	STANDARD SIZES (IN.)			D - Double Door	1 - SINGLE WALL	N - NO ELECTRICAL	165	R - ROOFTOP CLOSE	DOME, POLYCARB. LPW - WHITE, LPC - CLEAR
		48" X 48"						212		
		48" X 72"				2 - DOUBLE WALL	L - 24VDC/24VAC	280	W - MANUAL WINCH	
		48" X 96"						350		
	B - Steel Curb and Aluminum Cover	60" X 60"				3 - CURB MOUNT	H - 110VAC/240VAC	360		
		60" X 96"					450	DOUBLE DOME, POLYCARB. LPWW - WHITE/WHITE LPCW - CLEAR/WHITE		
		60" X 120"							MULTIWALL LMC - CLEAR, LMB - BLUE LMZ - BRONZE LMG - GREEN	
		72" X 72"								
		72" X 96"								

Additional sizes and options available, call for more information.



LATCH: Zinc plated steel rotary latch designed to hold covers closed against 30psf for single doors. Opens manually by external and internal pull cables. Opens automatically with a fusible link at standard temperature 165°F.

COVER: Extruded aluminum with 5/8 inch structural multi-wall white polycarbonate. Cover withstands a live load of 40psf.



PROJECT DATA

Custom Sizes Available - Fast!

Scan or Click



To view Pricing and Additional Product Info.

PROJECT NAME :	QTY	W	H	OPTIONS
ARCHITECT :				
DEALER :				
CONTRACTOR :				
LOCATION :	SPECIAL INSTRUCTIONS :			
DATE :	SUBMITTAL APPROVAL : (signature or stamp)			
TAGGING INSTRUCTIONS :				

TELEPHONE:
1-888-457-1275
FAX:
1-888-626-2907



PO BOX 66738 #76520,
SAINT LOUIS, MO
63166-6738
USA



WEBSITE:
www.AccessDoorsAndPanels.com
E-MAIL:
info@AccessDoorsAndPanels.com