

# SUBMITTAL/TECHNICAL DATA SHEET



## DESCRIPTION

Quad Door LightMAX Smoke Vent is engineered with translucent covers using polycarbonate for the added sustainability benefit of natural daylighting. With options like color panels, and electrical operation, Babcock-Davis is sure to meet your building sustainability and fire and life safety needs.

## FEATURES

- Quad Leaf Design
- Multi-wall Light Transmission
- Optional Dome
- Optional Winch or Linear Actuator
- UL Listed

## SPECIFICATIONS

DOOR: Quad Leaf

### MATERIAL:

Aluminum: 11 gauge  
Steel: 14 gauge galvalneal

### FINISH:

Aluminum: Mill  
Steel: Powder Coat, High Reflectance White

CURB: Single wall curb with EZ tab counterflash and mounting flange.

INSULATION: 1 inch polyiso R-6 in cover frame edge and around curb.

GASKET: Extruded EPDM adhesive backed gasket seal, continuous around cover.

HINGE: Heavy-duty pintle hinge with stainless steel hinge pins.

HOLD OPEN ARM: Zinc plated steel automatic hold open arm locks cover in open position.

SPRINGS: Gas spring with damper opens cover against 10psf snow load in not less than 2 sec.

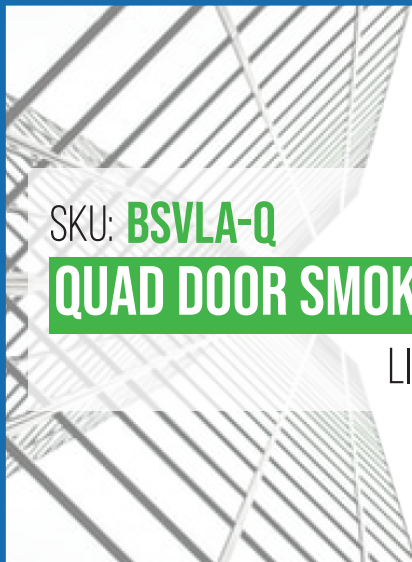
CERTIFICATION: UL 793 listed.

MINIMUM SIZE: 48 inches by 96 inches.

MAXIMUM SIZE: 60 inches by 240 inches, 72 inches by 192 inches.

WARRANTY: 5 year

For a complete list of options visit [www.AccessDoorsAndPanels.com](http://www.AccessDoorsAndPanels.com)



SKU: **BSVLA-Q**

**QUAD DOOR SMOKE VENT**

LIGHTMAX™



## DIMENSIONS AND APPEARANCE

>> CLICK TO VIEW ADDITIONAL DETAILS AND PRICING <<

### ORDER GUIDE:

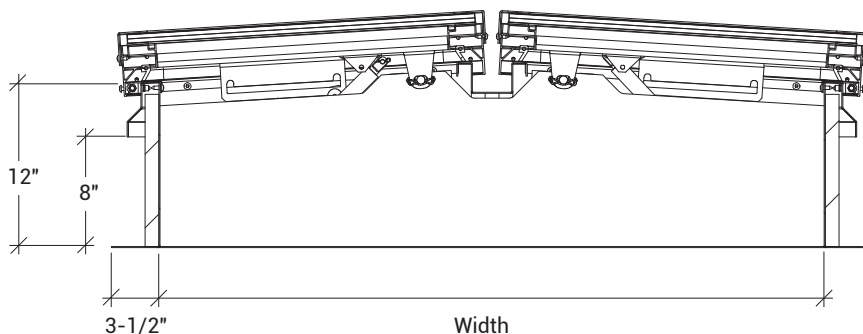
| BASE | MATERIAL                          | W                    | X         | L          | DOOR          | CURB            | OPENING           | LINK TEMP | CLOSING           | OPTIONS                                     |                  |  |
|------|-----------------------------------|----------------------|-----------|------------|---------------|-----------------|-------------------|-----------|-------------------|---|------------------|--|
| BSVL |                                   |                      |           |            | Q             |                 |                   |           | R                 | -   |                  |  |
|      | A - Aluminum Curb & Cover         | STANDARD SIZES (IN.) |           |            | Q - Quad Door | 1 - SINGLE WALL | N - NO ELECTRICAL | 165       | R - ROOFTOP CLOSE | DOME, POLYCARB.<br>LPW - WHITE, LPC - CLEAR |                  |  |
|      | B - Steel Curb and Aluminum Cover | 48" X 48"            | 48" X 72" | 48" X 96"  |               | 2 - DOUBLE WALL | L - 24VDC/24VAC   | 212       |                   |   | W - MANUAL WINCH | DOUBLE DOME, POLYCARB.<br>LPWW - WHITE/WHITE<br>LPCW - CLEAR/WHITE |
|      |                                   | 60" X 60"            | 60" X 96" | 60" X 120" |               | 3 - CURB MOUNT  | H - 110VAC/240VAC | 350       | 450               |   |                  |  |
|      |                                   | 60" X 96"            | 72" X 72" | 72" X 96"  |               |                 |                   |           |                   |   |                  |  |

Additional sizes and options available, call for more information.



LATCH: Zinc plated steel rotary latch designed to hold covers closed against 30psf for single doors. Opens manually by external and internal pull cables. Opens automatically with a fusible link at standard temperature 165°F.

COVER: Extruded aluminum with 5/8 inch structural multi-wall white polycarbonate. Cover withstands a live load of 40psf.



## PROJECT DATA

Custom Sizes Available - Fast!

|                        |  |   |   |         |
|------------------------|--|---|---|---------|
| PROJECT NAME :         | QTY  | W | H | OPTIONS |
| ARCHITECT :            |  |   |   |         |
| DEALER :               |  |   |   |         |
| CONTRACTOR :           |  |   |   |         |
| LOCATION :             | SPECIAL INSTRUCTIONS :                       |   |   |         |
| DATE :                 | SUBMITTAL APPROVAL :<br>(signature or stamp) |   |   |         |
| TAGGING INSTRUCTIONS : |  |   |   |         |

Scan or Click



To view Pricing and Additional Product Info.

TELEPHONE:  
1-888-457-1275  
FAX:  
1-888-626-2907

PO BOX 66738 #76520,  
SAINT LOUIS, MO  
63166-6738  
USA



WEBSITE:  
[www.AccessDoorsAndPanels.com](http://www.AccessDoorsAndPanels.com)  
E-MAIL:  
[info@AccessDoorsAndPanels.com](mailto:info@AccessDoorsAndPanels.com)