

# SUBMITTAL/TECHNICAL DATA SHEET



## DESCRIPTION

OSHA compliant Safety Railing is ideal for new and retrofit applications. The safety railing mounts to the existing roof hatch curb counterflash without penetrating the membrane.

## FEATURES

- OSHA Compliant
- Self-Closing Gate
- Easy Field Installation

## SPECIFICATIONS

MODEL: BSRCAY

**MATERIAL:** Rails and posts, aluminum, 1-1/4 inch ID (1.66 inch OD) Schedule 40 pipe.

**FINISH:** Safety Yellow Powder Coat

**FITTINGS:** Cast aluminum alloy with set screw hold

**MOUNTING BRACKETS:** 3/16 inch steel, zinc plated with nut backing plate.

**HARDWARE:** Hex head bolts 3/8 inch - 16 x 3/4 inch zinc plated steel.

**EXIT:** Aluminum 1-1/4 inch tubular steel self closing with coil spring.

**COMPLIANCE:** OSHA 29 CFR1910.23 guarding floor and wall openings and holes

**SIZES:** Industry standard and custom sizes available.

**WARRANTY:** 5 year

For a complete list of options visit [www.AccessDoorsAndPanels.com](http://www.AccessDoorsAndPanels.com)



SKU: **BSRCAY**

## ROOF HATCH SAFETY RAILING



## DIMENSIONS AND APPEARANCE

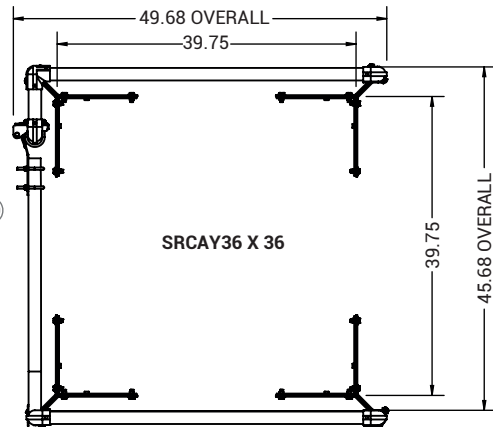
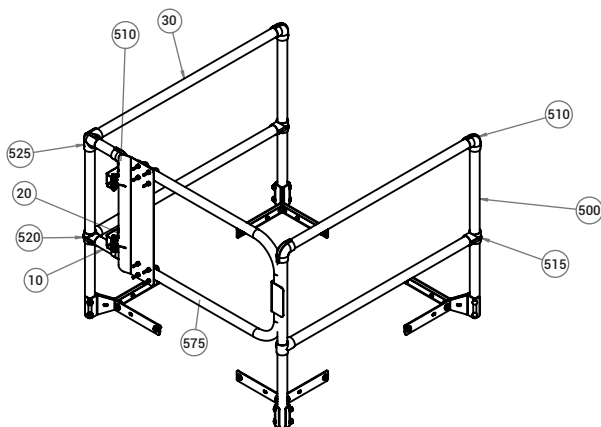
>> CLICK TO VIEW ADDITIONAL DETAILS AND PRICING <<

### ORDER GUIDE:

BASE	WIDTH	X	LENGTH	EXIT	OPTIONS
BSRCAY	STANDARD SIZES				
	30" X 54"		30" X 96"	F - Front Exit	G - Self-Closing, Gate
	36" X 30"		36" X 96"	S - Side Exit	
	36" X 36"		48" X 48"		

Additional sizes and options available, call for more information.

ITEM NO.	PART NUMBER	DESCRIPTION	QUANTITY
10	27496-6.00-Y	RAIL, 1-1/4" X 6.00L	2
20	27496-18.00-Y	RAIL, 1-1/4" X 18.00L	1
30	27496-43.75-Y	RAIL, 1-1/4" X 43.75L	4
500	27180-A-Y	PKG, CORNER POST, ZPS,	4
510	27185	FTG, ELBOW,	5
515	27188	FTG, TEE,	3
520	27186	FTG, CROSS ELBOW,	1
525	27231	FTG, DBL TEE,	1
575	SRCA-GATE-30	GATE, 30,	1



## PROJECT DATA

Custom Sizes Available - Fast!

PROJECT NAME :	QTY	W	H	OPTIONS
ARCHITECT :				
DEALER :				
CONTRACTOR :				
LOCATION :	SPECIAL INSTRUCTIONS :			
DATE :	SUBMITTAL APPROVAL :			
TAGGING INSTRUCTIONS :	(signature or stamp)			

Scan or Click



To view Pricing and Additional Product Info.

TELEPHONE:  
1-888-457-1275  
FAX:  
1-888-626-2907

PO BOX 66738 #76520,  
SAINT LOUIS, MO  
63166-6738  
USA

WEBSITE:  
[www.AccessDoorsAndPanels.com](http://www.AccessDoorsAndPanels.com)  
E-MAIL:  
[info@AccessDoorsAndPanels.com](mailto:info@AccessDoorsAndPanels.com)