

# SUBMITTAL/TECHNICAL DATA SHEET



## DESCRIPTION

The Safety Post is designed in compliance to OSHA to extend 42 inches above a landing platform to provide safe ladder access through a roof hatch or floor door. The spring assisted telescoping design mounts to the top two rungs of a fixed vertical ladder.

## FEATURES

- Safe Access
- Easy Operation
- Mounts to Ladder

## SPECIFICATIONS

MODEL: BSP

DOOR:

1-1/2" x 1-1/2" x 1/8" high strength square tubing with a pull up loop provided at the upper end to facilitate raising of post.

- Steel
- Aluminum
- Stainless Steel

FINISH: Powder coat (steel), Mill (aluminum) or 2B Matte (stainless steel)

COLOR: Safety Yellow (steel)

FITTINGS: Cast aluminum alloy with set screw hold

BALANCING SPRING: Stainless steel constant force spring

HARDWARE: Type 316 Stainless Steel

WARRANTY: 5 year

For a complete list of options visit [www.AccessDoorsAndPanels.com](http://www.AccessDoorsAndPanels.com)



SKU: **BSPA**  
**LADDER SAFETY POST**

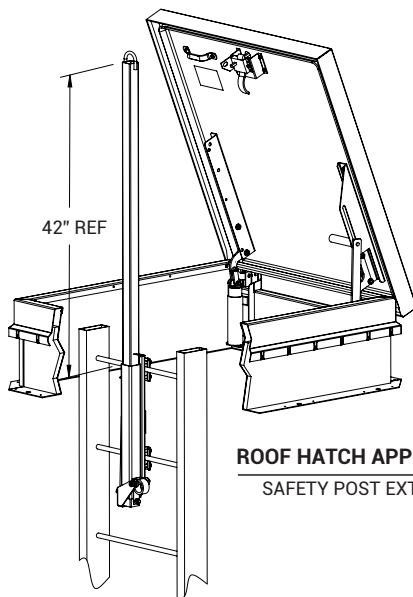
## DIMENSIONS AND APPEARANCE

>> CLICK TO VIEW ADDITIONAL DETAILS AND PRICING <<

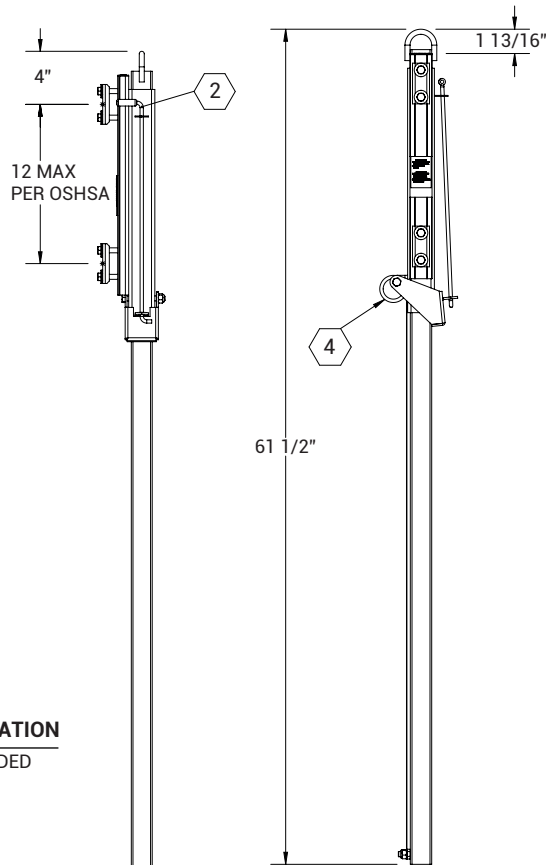
### ORDER GUIDE:

MODEL	MATERIAL	FINISH
BSPY	Steel	Powder Coat, Safety Yellow
BSPG	Steel	Hot Dip Galvanized
BSPA	Aluminum	Mill
BSPS	Mill	Mill

For Detailed Specifications See Submittal Sheet



ROOF HATCH APPLICATION  
SAFETY POST EXTENDED



## PROJECT DATA

Custom Sizes Available - Fast!

PROJECT NAME :	QTY	W	H	OPTIONS
ARCHITECT :				
DEALER :				
CONTRACTOR :				
LOCATION :	SPECIAL INSTRUCTIONS :			
DATE :	SUBMITTAL APPROVAL : (signature or stamp)			
TAGGING INSTRUCTIONS :				

Scan or Click



To view Pricing and Additional Product Info.

TELEPHONE:  
1-888-457-1275  
FAX:  
1-888-626-2907



PO BOX 66738 #76520,  
SAINT LOUIS, MO  
63166-6738  
USA

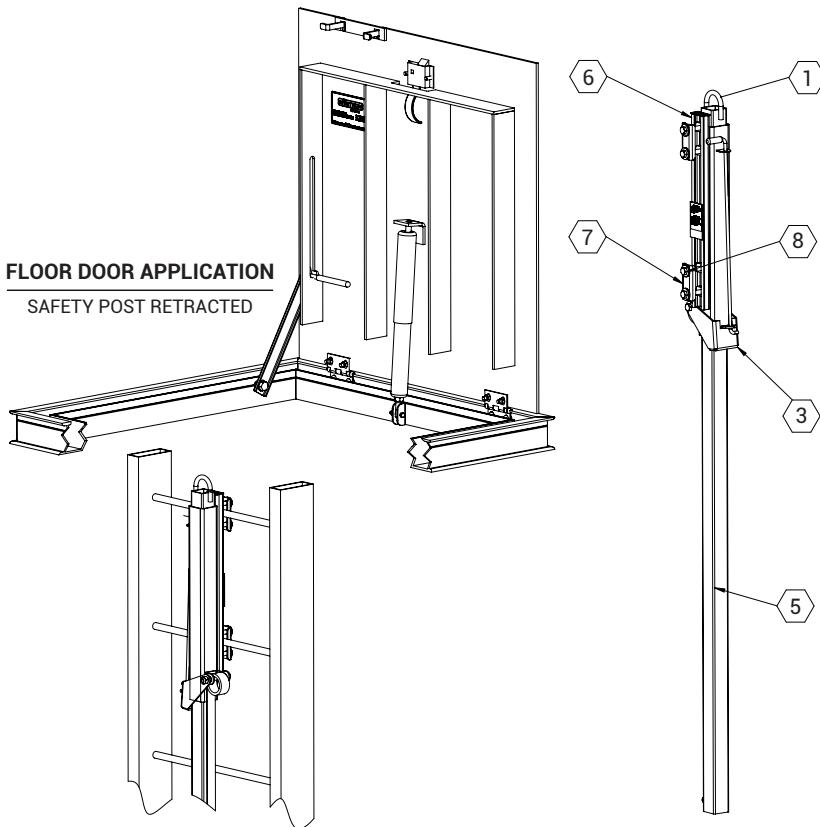


WEBSITE:  
[www.AccessDoorsAndPanels.com](http://www.AccessDoorsAndPanels.com)  
E-MAIL:  
[info@AccessDoorsAndPanels.com](mailto:info@AccessDoorsAndPanels.com)



# BSPA

# SAFETY POST, LADDER ACCESS



**NOTES:**

- ① LIFTING HANDLE
- ② RELEASE ROD
- ③ EXTENSION LOCK BRACKET
- ④ BALANCING SPRING
- ⑤ SQUARE TUBING (1 1/2" x 1 1/2")
- ⑥ ADJUSTABLE MOUNTING CHANNEL FITS  
LADDER RUNG SPACING 10"-12"
- ⑦ CLAMP BRACKET
- ⑧ STAINLESS STEEL MOUNTING HARDWARE

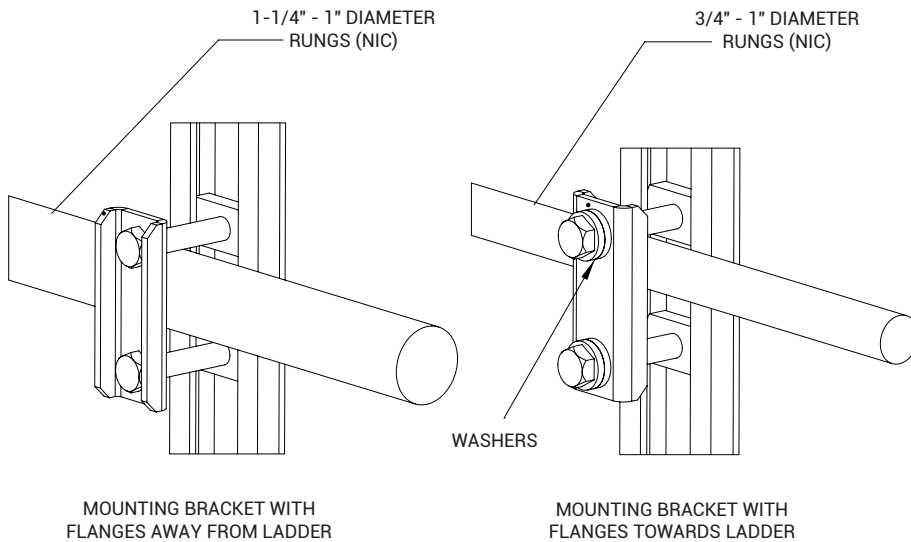
**CERTIFICATIONS:**

COMPLIES WITH OSHA 1910.29 REQUIREMENT FOR FIXED LADDERS

**NOTES:**

- 1. CLAMP BRACKETS MAY BE REVERSED TO ACCOMMODATE RUNG SIZES OF 3/4" TO 1-1/4" WITH STANDARD 2" BOLTS FURNISHED. LARGER RUNGS WILL REQUIRE LONGER BOLTS.
- 2. REINFORCE HOLLOW RUNG LADDERS WITH A SOLID ROUND BAR INTO THE TOP TWO RUNGS TO PROVIDE STRENGTH BEFORE MOUNTING SAFETY POST.
- 3. MOUNT THE SAFETY POST TO THE REAR OF THE LADDER, WITH THE CLAMP BRACKETS ON THE CLIMBING SIDE
- 4. RAISE SAFETY POST TO FULLY EXTENDED POSITION THE EXTERNAL LOCK BRACKET ENGAGES TO LOCK THE SAFETY POST IN PLACE. TO LOWER THE POST, LIFT UP THE RELEASE ROD AND RETRACT THE POST.

HATCH AND LADDER NOT INCLUDED - SHOWN FOR SAFETY POST INSTALLATION PURPOSES ONLY



**CLAMP BRACKET DETAILS**

