

SUBMITTAL/TECHNICAL DATA SHEET



DESCRIPTION

The ThermalMAX Roof Hatch sets the new standard for thermally efficient roof hatches. Designed with a thermal break to keep cool-cool and hot-hot, this hatch boasts an R-20 insulation rating making it today's most energy efficient hatch.

FEATURES

- IECC Compliance
- Enhanced Insulation
- Thermal Break

SPECIFICATIONS

MATERIAL: 11 gauge Aluminum

COVER: Formed metal cover withstands a live load of 40psf with a max deflection of 1/150 the span

CURB: Single wall curb with railing ready EZ tab counterflash and mounting flange

INSULATION: 3 inch polyiso in curb and cover; R-20.3

GASKET: Extruded EPDM adhesive backed acoustic gasket seal, continuous around curb and cover to assure a continuous seal

SPRING: Gas spring with integrated damper for smooth, controlled lift assistance

FINISH: Mill

HOLD OPEN ARM: Zinc plated steel automatic hold open arm locks cover in open position

HINGE: Heavy-duty pintle hinge with stainless steel hinge pin

LATCH: Zinc plated steel spring-type slam latch with inside and outside operating turn handles and padlock hasp provisions; 20psf wind uplift

PULL HANDLE: Interior safety pull down handle, yellow powder coat

WARRANTY: 1 year

For a complete list of options visit www.AccessDoorsAndPanels.com



SKU: **BRHTA**

THERMALMAX ROOF HATCH

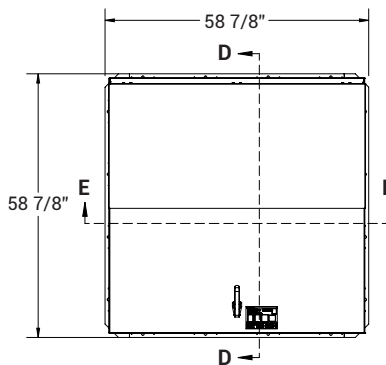


DIMENSIONS AND APPEARANCE

>> CLICK TO VIEW ADDITIONAL DETAILS AND PRICING <<

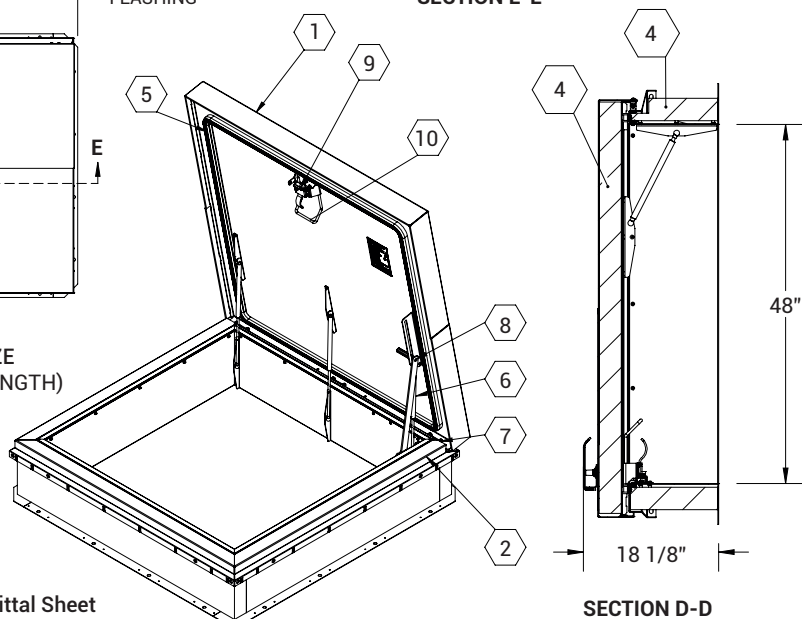
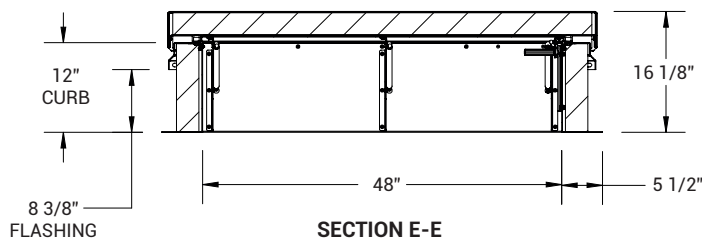
ORDER GUIDE:

MODEL	SIZE	CURB
BRHTA36X30	36 X 30	Single Wall
BRHTA36X36	36 X 36	Single Wall
BRHTA48X48	48 X 48	Single Wall
BRHTA30X54	30 X 54	Single Wall
BRHTA30X96	30 X 96	Single Wall



ROOF HATCH SIZE
48" (WIDTH) x 48" (LENGTH)

For Detailed Specifications See Submittal Sheet



PROJECT DATA

Custom Sizes Available - Fast!

PROJECT NAME :	QTY	W	H	OPTIONS
ARCHITECT :				
DEALER :				
CONTRACTOR :				
LOCATION :	SPECIAL INSTRUCTIONS :			
DATE :	SUBMITTAL APPROVAL : (signature or stamp)			
TAGGING INSTRUCTIONS :				

Scan or Click



To view Pricing and Additional Product Info.

TELEPHONE:
1-888-457-1275
FAX:
1-888-626-2907



PO BOX 66738 #76520,
SAINT LOUIS, MO
63166-6738
USA

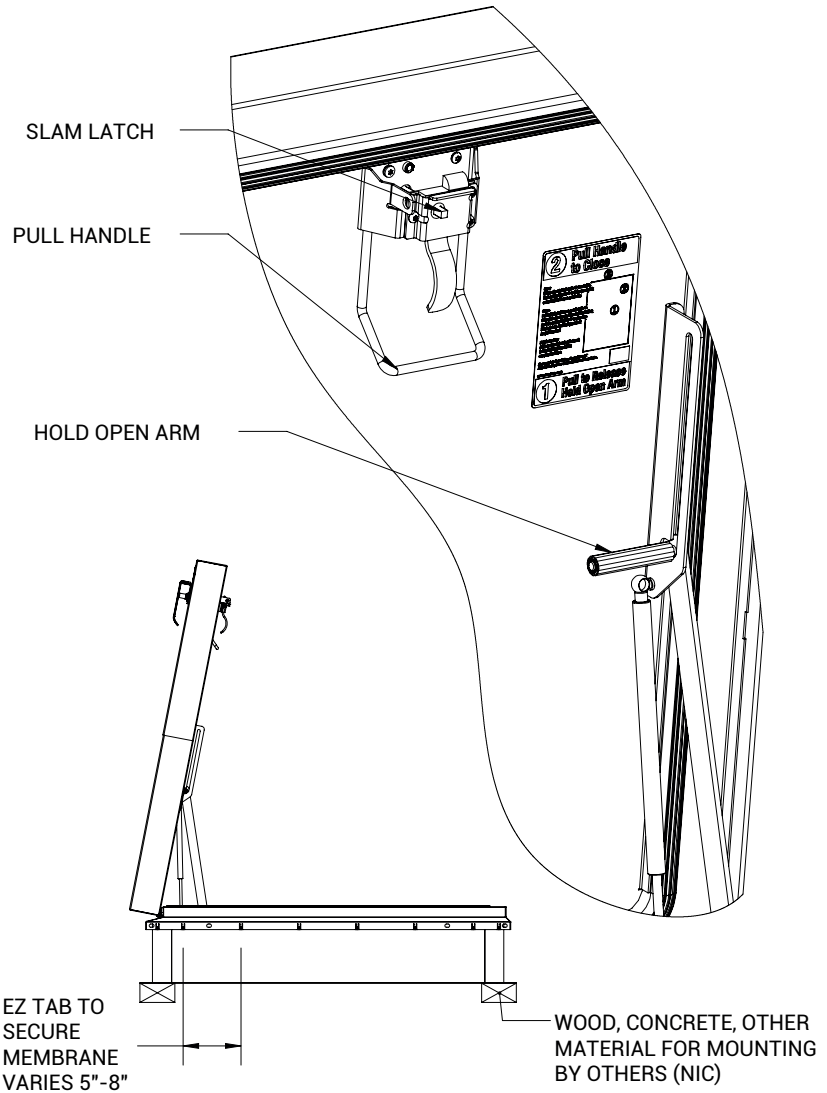
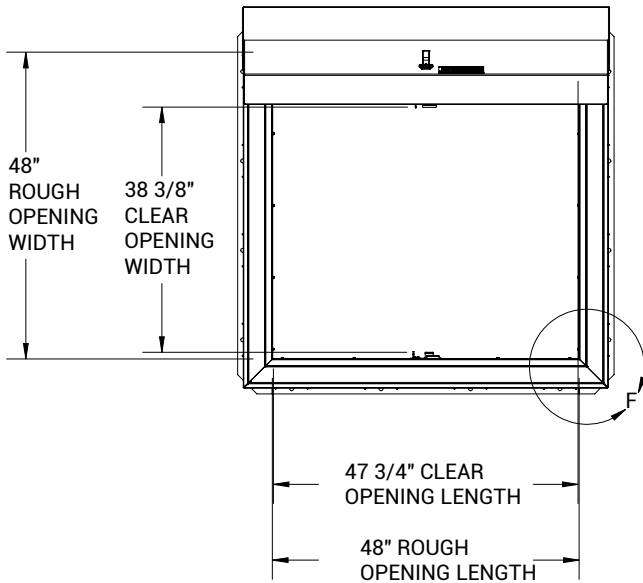


WEBSITE:
www.AccessDoorsAndPanels.com
E-MAIL:
info@AccessDoorsAndPanels.com



BRHTA

THERMALMAX ROOF HATCH

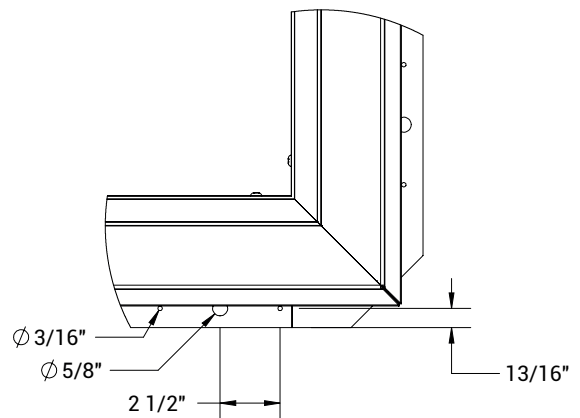


SPECIFICATIONS:

- ① COVER: 11 Ga (.090) Alum, Stiffened To withstand A Live Load Of 40psf.
- ② CURB: 11 Ga (.090) Alum, Curb Counterflash with EZ Tabs.
- ③ FINISH: Mill
- ④ INSULATION:
3" Polyiso R-20 In Curb,
3" Polyiso R-20 In Cover.
- ⑤ GASKET: extruded EPDM rubber adhesive backed gasket seal continuous around cover.
- ⑥ SPRING: Gas spring with damper for smooth, controlled, counter-balanced lift assistance.
- ⑦ HINGE: Pintle hinge with stainless steel hinge pins.
- ⑧ HOLD OPEN ARM: Zinc Plated Steel Automatic Hold Open Arm Locks Cover In Fully Open Position With Red Grip Handle Pull Release.
- ⑨ LATCH: Zinc Plated Steel Slam Latch, Holds Covers Closed Against Wind Uplift, Interior And Exterior Handles With Padlock Hasps.
- ⑩ PULL HANDLE: Interior Pull Down Handle, Safety Yellow Powder Coat.

NOTES:

- When installing on a pitched roof up to 7:12, the hinge side(length) must be parallel to the slope.
- Width x length dimensions are measured inside curb to inside curb. The width is hinge to latch and length is hinge side.



DETAIL F
SCALE 1 : 8