

# SUBMITTAL/TECHNICAL DATA SHEET



## DESCRIPTION

Designed for applications with heightened security, Babcock-Davis' Security Roof Hatch is constructed with heavy-duty materials, optional security grade locks and is ideal for prisons, banks, and water treatment facilities.

## FEATURES

- Powder Coat Finish
- Security Grade Materials
- Optional Locks
- Optional View Port

## SPECIFICATIONS

**MATERIAL:**  
Steel: 3/16 inch galvaneal  
Aluminum: 1/4 inch

**FINISH:** Powder coat (steel) or Mill (aluminum).

**COLOR:** Red Oxide (steel).

**COVER:** Formed metal cover with liner, stiffened to withstand a live load of 40psf with a max deflection of 1/150 the span.

**CURB:** Single wall curb with EZ tab counterflash and mounting flange with 5/8 inch and 3/16 inch holes.

**INSULATION:** 1 inch fiberboard in curb, 1 inch polystyrene in cover.

**GASKET:** Extruded EPDM adhesive backed gasket seal, continuous around cover.

**SPRING:** Zinc plated steel tamper-proof hinges contained within spring assembly, includes steel compression springs.

**HOLD OPEN ARM:** Zinc plated steel automatic hold open arm locks cover in open position.

**LATCH:** Zinc plated steel latch with exterior and interior turn handles and padlock hasps.

**WARRANTY:** 5 year

For a complete list of options visit [www.AccessDoorsAndPanels.com](http://www.AccessDoorsAndPanels.com)



SKU: **BRHSG**

## SECURITY ROOF HATCH



## DIMENSIONS AND APPEARANCE

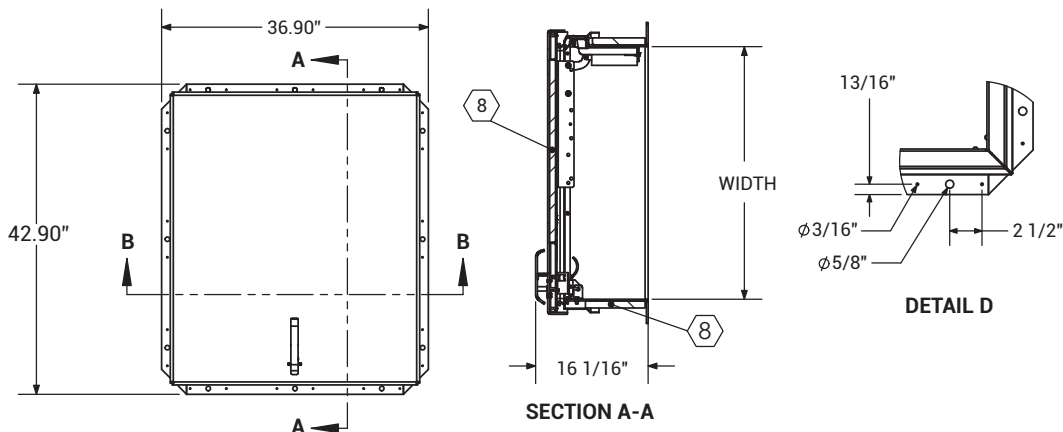
>> CLICK TO VIEW ADDITIONAL DETAILS AND PRICING <<

### ORDER GUIDE:

BASE	MATERIAL	WIDTH	X	LENGTH	CURB	OPTIONS
BRHS					S	T
	<b>A - Aluminum</b>	STANDARD SIZES (IN.)			<b>1 - SINGLE WALL</b> <b>2 - DOUBLE WALL</b> <b>3 - CURB MOUNT</b> <b>4 - DOUBLE WALL, NO COUNTER FLASH</b>	<b>D11 - BRINKS 7016 INT/EXT INSTALLED DETENTION LOCK</b> <b>D5A - SOUTHERN STEEL 1010AM INT/EXT PREP DETENTION LOCK</b> <b>MB1 - BEST INT/EXT INSTALLED MORTISE LOCK</b>
	<b>B - Aluminum Cover/Steel Curb</b>	LADDER	SHIP STAIR	<b>MB4 - BEST INT/EXT INSTALLED MORTISE LOCK WITH PLASTIC CORE</b> <b>MS1 - SCHLAGE INT/EXTERIOR INSTALLED MORTISE LOCK</b> <b>OW1 - 8" X 8" VIEWPORT WINDOW</b>		
	<b>G - Steel</b>	36 X 30	30 X 54			
		36 X 36	48 X 48			

Additional sizes and options available, call for more information.

For Detailed Specifications See Submittal Sheet



## PROJECT DATA

Custom Sizes Available - Fast!

PROJECT NAME :	QTY	W	H	OPTIONS
ARCHITECT :				
DEALER :				
CONTRACTOR :				
LOCATION :	SPECIAL INSTRUCTIONS :			
DATE :	SUBMITTAL APPROVAL : (signature or stamp)			
TAGGING INSTRUCTIONS :				

Scan or Click



To view Pricing and Additional Product Info.

TELEPHONE:  
1-888-457-1275  
FAX:  
1-888-626-2907

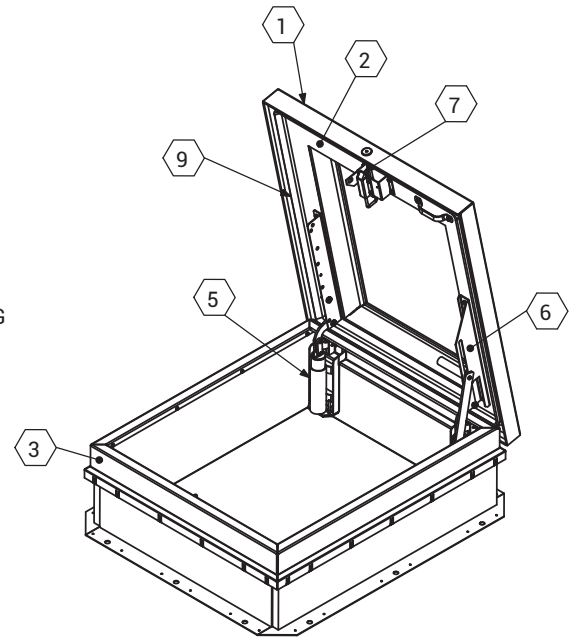
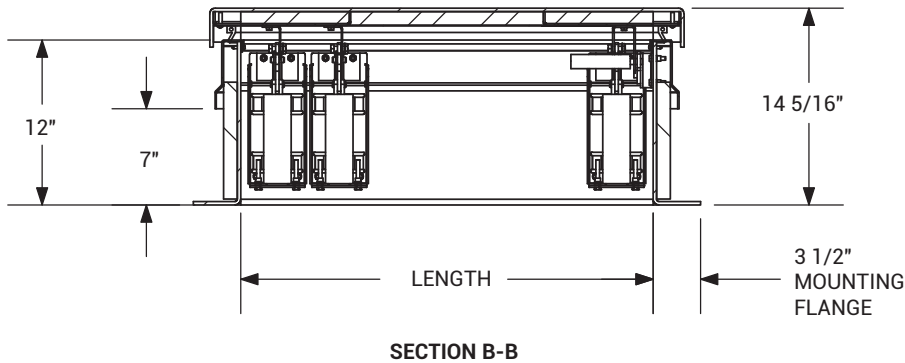
PO BOX 66738 #76520,  
SAINT LOUIS, MO  
63166-6738  
USA

WEBSITE:  
[www.AccessDoorsAndPanels.com](http://www.AccessDoorsAndPanels.com)  
E-MAIL:  
[info@AccessDoorsAndPanels.com](mailto:info@AccessDoorsAndPanels.com)



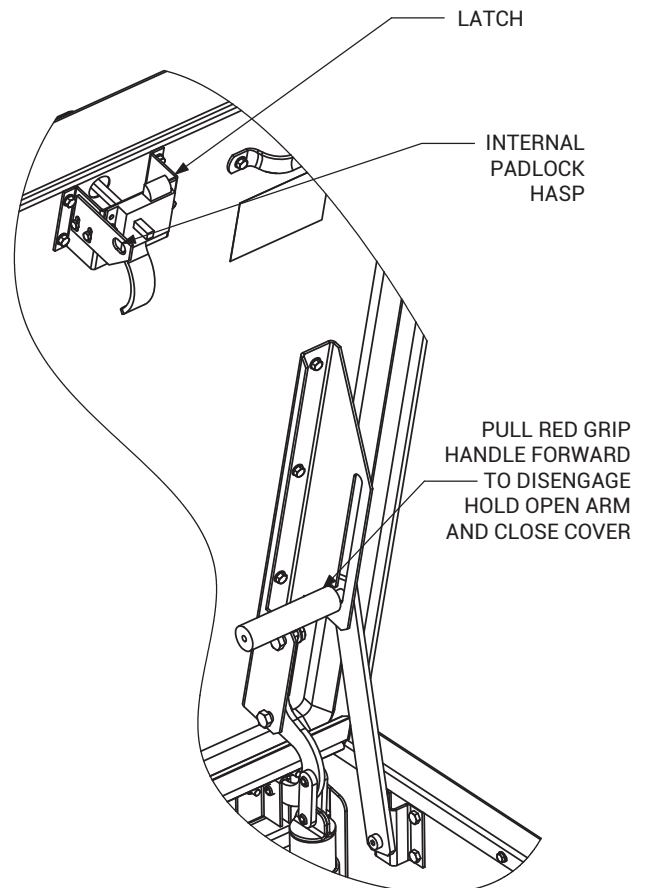
# BRHSG

# SECURITY ROOF HATCH



**SPECIFICATIONS:**

- ① COVER: 3/16" GA GALV STEEL COVER STIFFENED TO WITHSTAND A LIVE LOAD OF 40PSF WITH A MAX DEFLECTION OF 1/150 OF THE SPAN.
- ② LINER: 18 GA ALUM
- ③ CURB AND COUNTERFLASH WITH EZ TAB: 3/16" GA GALV STEEL
- ④ FINISH: RED OXIDE POWDER COAT
- ⑤ SPRING/HINGE ASSEMBLY: ZINC PLATED STEEL TAMPER-PROOF HINGE CONTAINED WITHIN SPRING/HINGE ASSEMBLY. TELESCOPIC TUBES CONTAIN COIL STEEL COMPRESSION SPRINGS FOR LIFT ASSISTANCE.
- ⑥ HOLD OPEN ARM: LOCKS COVER IN FULLY OPEN POSITION - ZINC PLATED STEEL WITH RED POLYPROPYLENE GRIP HANDLE PULL RELEASE.
- ⑦ LATCH: SINGLE POINT LATCH SLAM LATCH HOLDS COVER CLOSED AGAINST 20 PSF WIND UPLIFT. EXTERNAL PALM RELEASE INTERNAL RELEASE HANDLE WITH PADLOCK HASP.
- ⑧ INSULATION: 1" POLYSTYRENE (R4) IN COVER, AND 1" POLYISO (R6) IN CURB.
- ⑨ GASKET: ADHESIVE BACKED EPDM RUBBER EXTRUSION.
- ⑩ SIZING: WIDTH X LENGTH DIMENSIONS ARE MEASURED INSIDE CURB TO INSIDE CURB WHERE THE WIDTH IS HINGE TO LATCH AND LENGTH IS HINGED SIDE WITH SPRINGS



ROOF HATCH SIZE: 36" (WIDTH) x 30" (LENGTH).

CLEAR OPENING: 25.90" (WIDTH) x 29.50" (LENGTH).

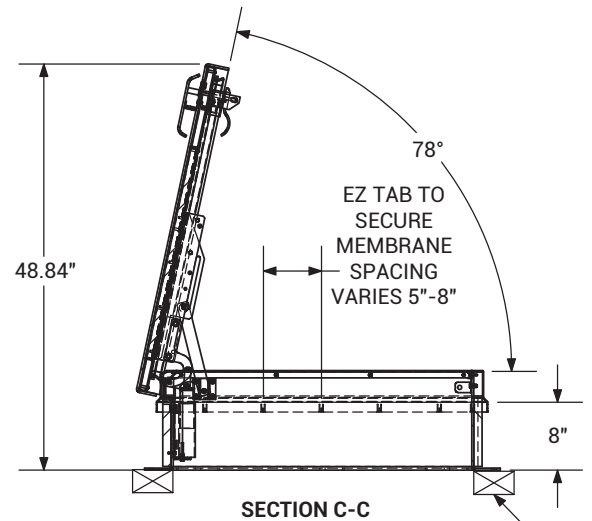
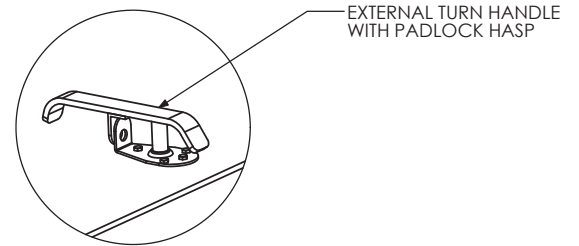
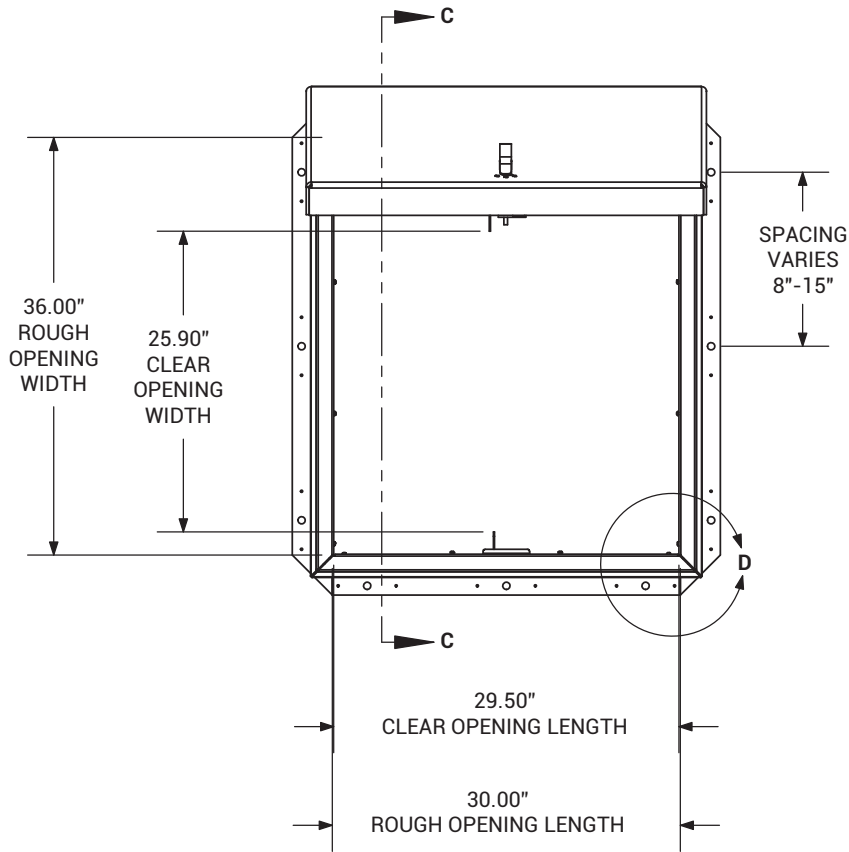
ROUGH OPENING: 36" (WIDTH) x 30" (LENGTH).

**HARDWARE DETAILS**



# BRHSG

# SECURITY ROOF HATCH



WOOD, CONCRETE, OTHER MATERIAL FOR MOUNTING BY OTHERS (NIC)