

SUBMITTAL/TECHNICAL DATA SHEET



DESCRIPTION

Designed for applications with heightened security, Babcock-Davis' Security Roof Hatch is constructed with heavy-duty materials, optional security grade locks and is ideal for prisons, banks, and water treatment facilities.

FEATURES

- Powder Coat Finish
- Security Grade Materials
- Optional Locks
- Optional View Port

SPECIFICATIONS

MATERIAL:
Steel: 3/16 inch galvaneal
Aluminum: 1/4 inch

FINISH: Powder coat (steel) or Mill (aluminum).

COLOR: Red Oxide (steel).

COVER: Formed metal cover with liner, stiffened to withstand a live load of 40psf with a max deflection of 1/150 the span.

CURB: Single wall curb with EZ tab counterflash and mounting flange with 5/8 inch and 3/16 inch holes.

INSULATION: 1 inch fiberboard in curb, 1 inch polystyrene in cover.

GASKET: Extruded EPDM adhesive backed gasket seal, continuous around cover.

SPRING: Zinc plated steel tamper-proof hinges contained within spring assembly, includes steel compression springs.

HOLD OPEN ARM: Zinc plated steel automatic hold open arm locks cover in open position.

LATCH: Zinc plated steel latch with exterior and interior turn handles and padlock hasps.

WARRANTY: 5 year

For a complete list of options visit www.AccessDoorsAndPanels.com



SKU: **BRHSA**

SECURITY ROOF HATCH



DIMENSIONS AND APPEARANCE

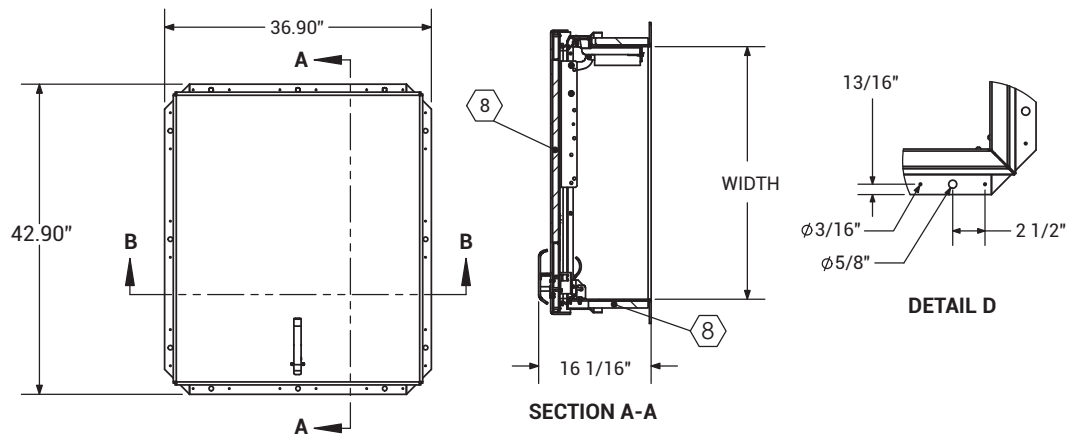
>> CLICK TO VIEW ADDITIONAL DETAILS AND PRICING <<

ORDER GUIDE:

| BASE | MATERIAL | WIDTH | X | LENGTH | CURB | OPTIONS |
|------|--------------------------------------|----------------------|------------|--|---|---|
| BRHS | | | | | S | T |
| | A - Aluminum | STANDARD SIZES (IN.) | | | 1 - SINGLE WALL 2 - DOUBLE WALL 3 - CURB MOUNT 4 - DOUBLE WALL, NO COUNTER FLASH | D11 - BRINKS 7016 INT/EXT INSTALLED DETENTION LOCK D5A - SOUTHERN STEEL 1010AM INT/EXT PREP DETENTION LOCK MB1 - BEST INT/EXT INSTALLED MORTISE LOCK |
| | B - Aluminum Cover/Steel Curb | LADDER | SHIP STAIR | MB4 - BEST INT/EXT INSTALLED MORTISE LOCK WITH PLASTIC CORE MS1 - SCHLAGE INT/EXTERIOR INSTALLED MORTISE LOCK OW1 - 8" X 8" VIEWPORT WINDOW | | |
| | G - Steel | 36 X 30 | 30 X 54 | | | |

Additional sizes and options available, call for more information.

For Detailed Specifications See Submittal Sheet



PROJECT DATA

Custom Sizes Available - Fast!

| PROJECT NAME : | QTY | W | H | OPTIONS |
|------------------------|---|---|---|---------|
| ARCHITECT : | | | | |
| DEALER : | | | | |
| CONTRACTOR : | | | | |
| LOCATION : | SPECIAL INSTRUCTIONS : | | | |
| DATE : | SUBMITTAL APPROVAL : (signature or stamp) | | | |
| TAGGING INSTRUCTIONS : | | | | |

Scan or Click



To view Pricing and Additional Product Info.

TELEPHONE:
1-888-457-1275
FAX:
1-888-626-2907

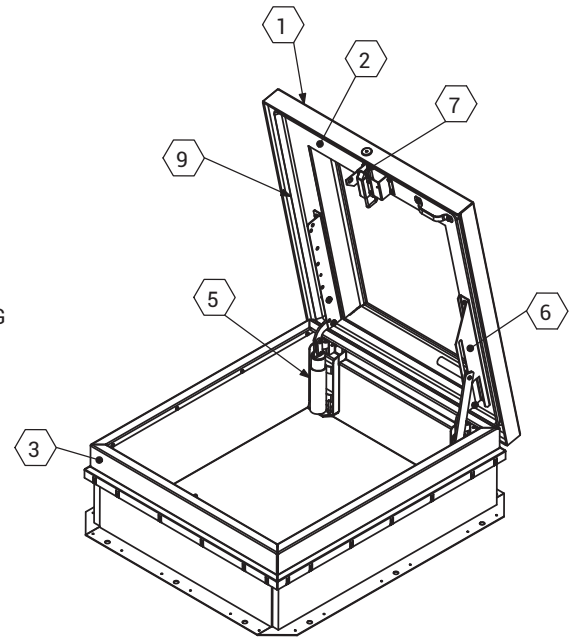
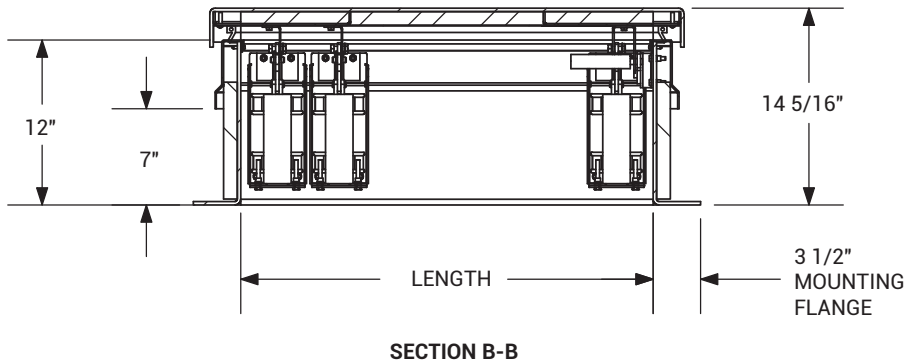
PO BOX 66738 #76520,
SAINT LOUIS, MO
63166-6738
USA

WEBSITE:
www.AccessDoorsAndPanels.com
E-MAIL:
info@AccessDoorsAndPanels.com



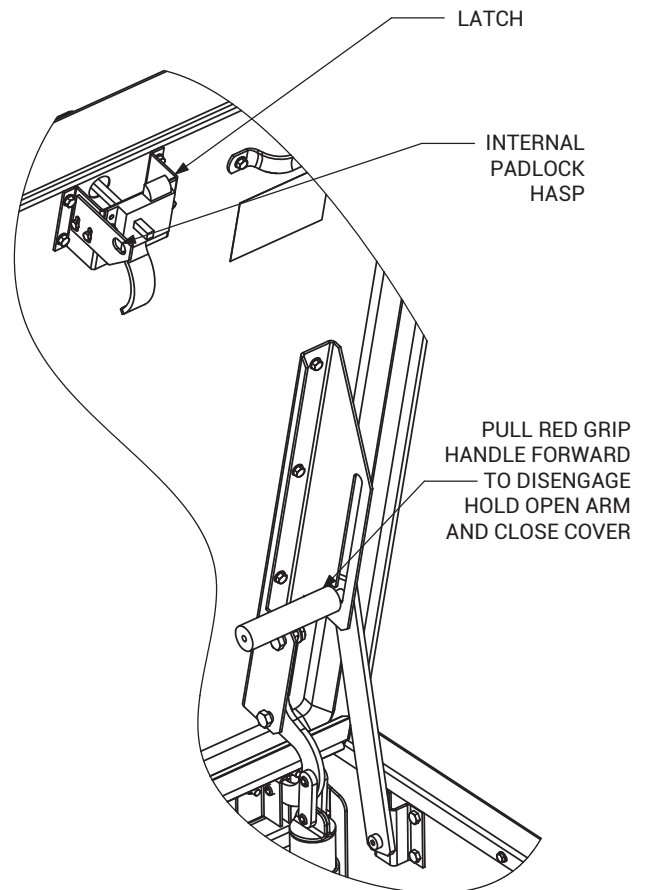
BRHSA

SECURITY ROOF HATCH



SPECIFICATIONS:

- ① COVER: 1/4" ALUMINUM COVER STIFFENED TO WITHSTAND A LIVE LOAD OF 40PSF WITH A MAX DEFLECTION OF 1/150 OF THE SPAN.
- ② LINER: 18 GA ALUM
- ③ CURB AND COUNTERFLASH WITH EZ TAB: 1/4" ALUM
- ④ FINISH: MILL FINISH
- ⑤ SPRING/HINGE ASSEMBLY: ZINC PLATED STEEL TAMPER-PROOF HINGE CONTAINED WITHIN SPRING/HINGE ASSEMBLY. TELESCOPIC TUBES CONTAIN COIL STEEL COMPRESSION SPRINGS FOR LIFT ASSISTANCE.
- ⑥ HOLD OPEN ARM: LOCKS COVER IN FULLY OPEN POSITION - ZINC PLATED STEEL WITH RED POLYPROPYLENE GRIP HANDLE PULL RELEASE.
- ⑦ LATCH: SINGLE POINT LATCH SLAM LATCH HOLDS COVER CLOSED AGAINST 20 PSF WIND UPLIFT. EXTERNAL PALM RELEASE INTERNAL RELEASE HANDLE WITH PADLOCK HASP.
- ⑧ INSULATION: 1" POLYSTYRENE (R4) IN COVER, AND 1" POLYISO (R6) IN CURB.
- ⑨ GASKET: ADHESIVE BACKED EPDM RUBBER EXTRUSION.
- ⑩ SIZING: WIDTH X LENGTH DIMENSIONS ARE MEASURED INSIDE CURB TO INSIDE CURB WHERE THE WIDTH IS HINGE TO LATCH AND LENGTH IS HINGED SIDE WITH SPRINGS



HARDWARE DETAILS

ROOF HATCH SIZE: 36" (WIDTH) x 30" (LENGTH).

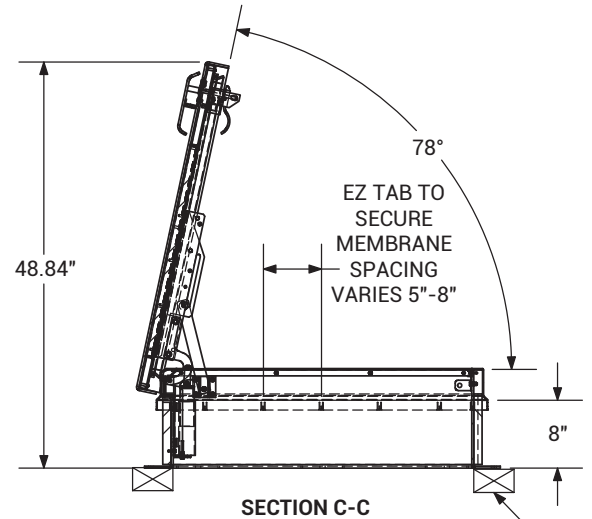
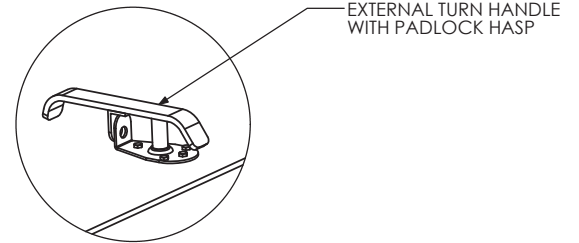
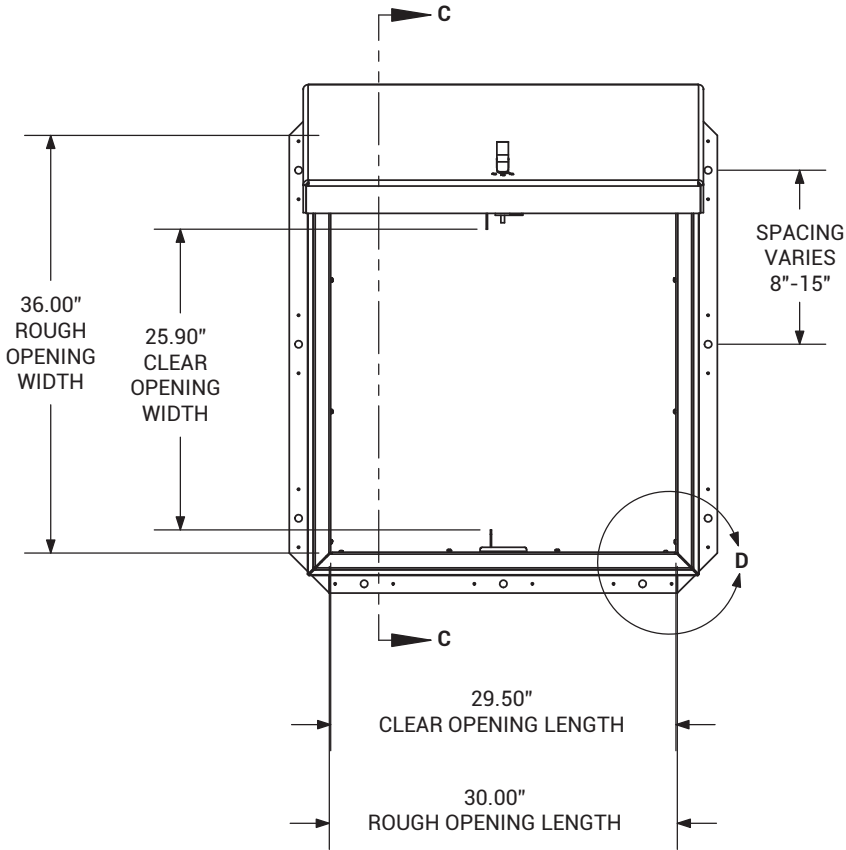
CLEAR OPENING: 25.90" (WIDTH) x 29.50" (LENGTH).

ROUGH OPENING: 36" (WIDTH) x 30" (LENGTH).



BRHSA

SECURITY ROOF HATCH



WOOD, CONCRETE, OTHER MATERIAL FOR MOUNTING BY OTHERS (NIC)