

SUBMITTAL/TECHNICAL DATA SHEET



DESCRIPTION

Providing natural daylighting, the SunLit Roof Hatch is engineered with a translucent dome cover that is ideal for use in commercial buildings, retail, schools and more.

FEATURES

- Polycarbonate Dome
- Optional Double Dome
- Railing Ready

SPECIFICATIONS

MATERIAL:

Steel: 14 gauge galvaneal
Aluminum: 11 gauge

COLOR: Red Oxide or High Reflectance White (steel).

COVER: Formed aluminum, 11 gauge, mill finish, metal cover with 1/8 inch clear polycarbonate, UV coated dome.

CURB: Single wall curb with EZ tab counterflash and mounting flange

- Aluminum: 11 gauge
- Steel: 14 gauge galvaneal

INSULATION: 1 inch fiberglass in cover, 1 inch polyiso around curb.

GASKET: Extruded EPDM adhesive backed gasket seal continuous around cover.

SPRING: Zinc plated steel tamper-proof hinges contained within spring assembly, includes steel compression springs

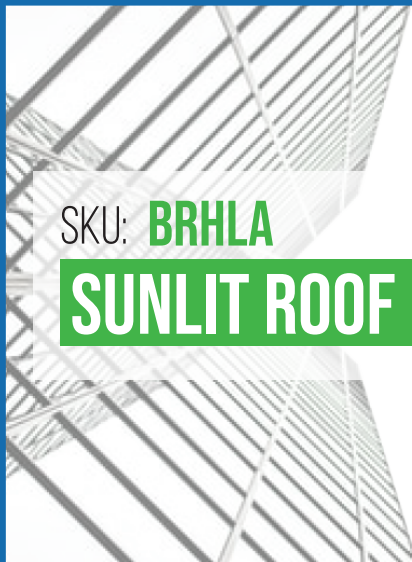
FINISH: Powder coat (steel) or Mill (aluminum)

HOLD OPEN ARM: Zinc plated steel automatic hold open arm locks cover in open position

LATCH: Zinc plated steel latch:
• 20psf wind uplift for lengths ≤60 inch with palm slam latch
• 90psf wind uplift for lengths >60 inches with 2-point rotary latch

WARRANTY: 5 year

For a complete list of options visit www.AccessDoorsAndPanels.com



SKU: **BRHLA**

SUNLIT ROOF HATCH



DIMENSIONS AND APPEARANCE

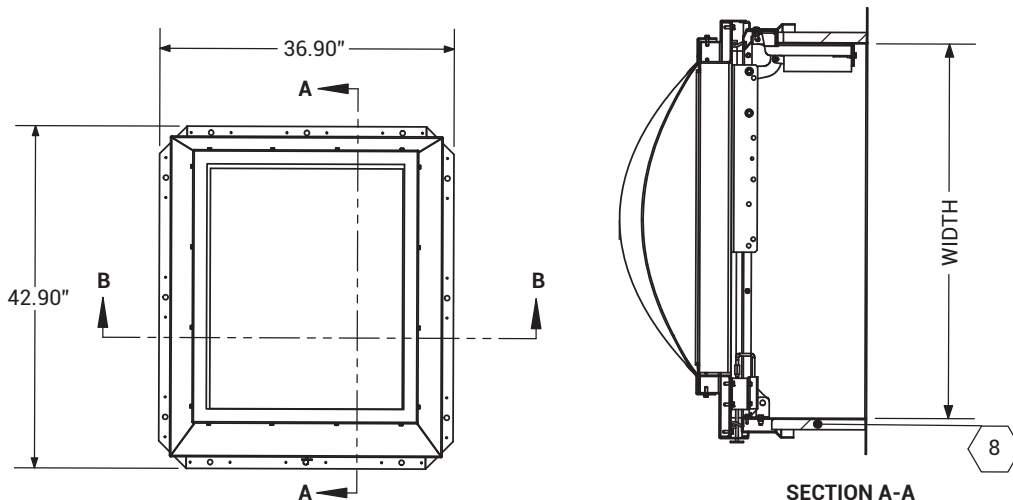
>> CLICK TO VIEW ADDITIONAL DETAILS AND PRICING <<

ORDER GUIDE:

BASE	MATERIAL	WIDTH	X	LENGTH		CURB		OPTIONS
BRHL					S		T	
	A - Aluminum	STANDARD SIZES (W X L)				1 - SINGLE WALL 2 - DOUBLE WALL 3 - CURB MOUNT 4 - DOUBLE WALL, NO COUNTER FLASH	SINGLE GLAZING LPB - POLYCARBONATE BRONZE LPW - POLYCARBONATE WHITE	DOUBLE GLAZING LPCW - POLYCARBONATE CLEAR/WHITE LPWW - POLYCARBONATE WHITE/WHITE
	B - Aluminum Cover/Steel Curb	LADDER	SHIP STAIR					
		36 X 30	30 X 54					
		36 X 36						
		48 X 48						

Additional sizes and options available, call for more information.

For Detailed Specifications See Submittal Sheet



PROJECT DATA

Custom Sizes Available - Fast!

Scan or Click



To view Pricing and Additional Product Info.

PROJECT NAME :	QTY	W	H	OPTIONS
ARCHITECT :				
DEALER :				
CONTRACTOR :				
LOCATION :	SPECIAL INSTRUCTIONS :			
DATE :				
TAGGING INSTRUCTIONS :	SUBMITTAL APPROVAL : (signature or stamp)			

TELEPHONE:
1-888-457-1275
FAX:
1-888-626-2907



PO BOX 66738 #76520,
SAINT LOUIS, MO
63166-6738
USA

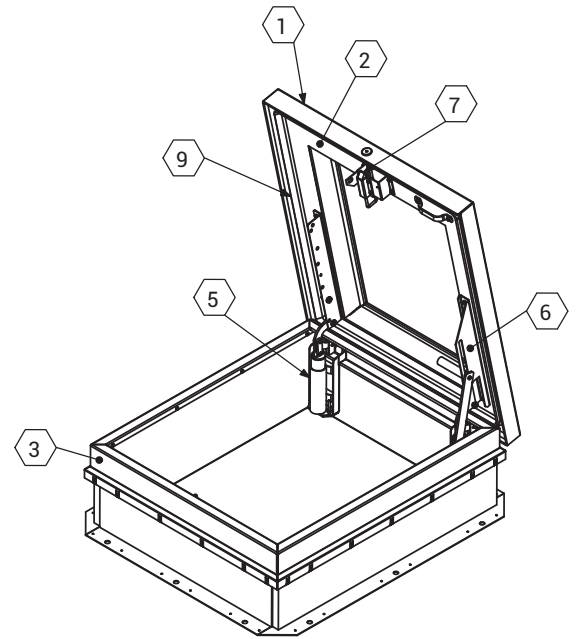
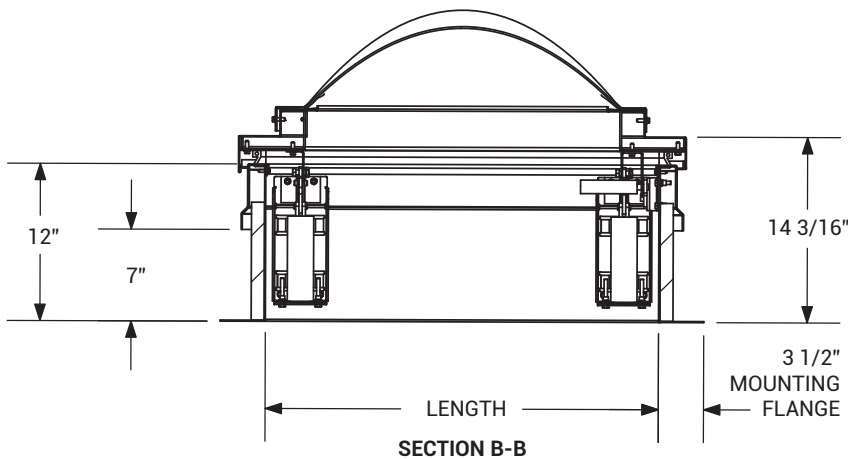


WEBSITE:
www.AccessDoorsAndPanels.com
E-MAIL:
info@AccessDoorsAndPanels.com



BRHLA

SUNLIT ROOF HATCH



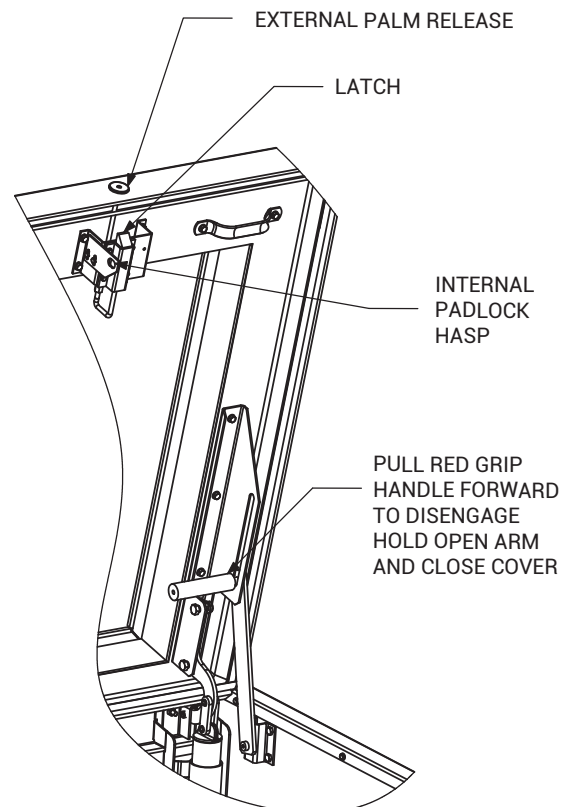
SPECIFICATIONS:

- ① COVER: 11 GA ALUM COVER STIFFENED TO WITHSTAND A LIVE LOAD OF 40PSF WITH A MAX DEFLECTION OF 1/150 OF THE SPAN.
- ② LINER: 18 GA ALUM
- ③ CURB AND COUNTERFLASH WITH EZ TAB: 11 GA ALUM
- ④ FINISH: MILL FINISH
- ⑤ SPRING/HINGE ASSEMBLY: ZINC PLATED STEEL TAMPER-PROOF HINGE CONTAINED WITHIN SPRING/HINGE ASSEMBLY. TELESCOPIC TUBES CONTAIN COIL STEEL COMPRESSION SPRINGS FOR LIFT ASSISTANCE.
- ⑥ HOLD OPEN ARM: LOCKS COVER IN FULLY OPEN POSITION - ZINC PLATED STEEL WITH RED POLYPROPYLENE GRIP HANDLE PULL RELEASE.
- ⑦ LATCH: SINGLE POINT LATCH SLAM LATCH HOLDS COVER CLOSED AGAINST 20 PSF WIND UPLIFT. EXTERNAL PALM RELEASE INTERNAL RELEASE HANDLE WITH PADLOCK HASP.
- ⑧ INSULATION: 1" FIBERGLASS IN COVER, AND 1" POLYISO (R6) IN CURB.
- ⑨ GASKET: ADHESIVE BACKED EPDM RUBBER EXTRUSION.
- ⑩ SIZING: WIDTH X LENGTH DIMENSIONS ARE MEASURED INSIDE CURB TO INSIDE CURB WHERE THE WIDTH IS HINGE TO LATCH AND LENGTH IS HINGED SIDE WITH SPRINGS

ROOF HATCH SIZE: 36" (WIDTH) x 30" (LENGTH).

CLEAR OPENING: 25.94" (WIDTH) x 29.50" (LENGTH).

ROUGH OPENING: 36" (WIDTH) x 30" (LENGTH).



HARDWARE DETAILS



BRHLA

SUNLIT ROOF HATCH

