

# SUBMITTAL/TECHNICAL DATA SHEET



## DESCRIPTION

Equipment Roof Hatch is engineered to accommodate extra large equipment access through roofs. With options like curb mounting and varied curb heights Babcock-Davis is sure to meet your equipment servicing needs.

## FEATURES

- Largest Opening
- Optional Stainless Steel Hardware and Materials

## SPECIFICATIONS

**MATERIAL:**  
 Aluminum: 11 gauge  
 Steel: 14 gauge galvalneal  
 Stainless Steel: 14 gauge Type 304

**FINISH:** Powder coat (steel), Mill (aluminum) or 2B Matte (stainless steel).

**COLOR:** Red Oxide (steel).

**COVER:** Formed aluminum metal cover withstands a live load of 40psf with a maximum deflection of 1/150 the span.

**CURB:** Single wall curb with EZ tab counterflash and mounting flange.

**INSULATION:** 1" polystyrene in cover and fiberboard around curb.

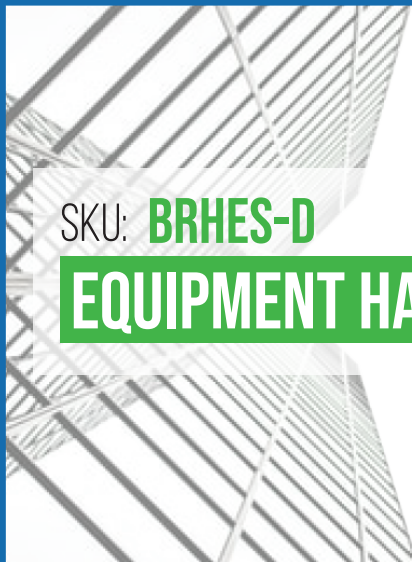
**GASKET:** Extruded EPDM adhesive backed gasket seal, continuous around cover.

**SPRING:** Zinc plated steel tamper-proof hinges contained within spring assembly, includes steel compression springs.

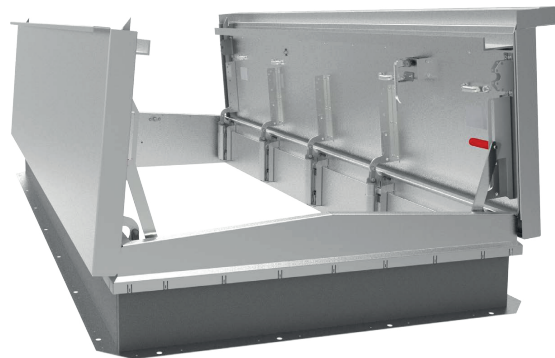
**HOLD OPEN ARM:** Zinc plated steel automatic hold open arm locks cover in open position.

**LATCH:** Zinc plated steel latch with exterior and interior turn handles and padlock hasps.

**WARRANTY:** 5 year



SKU: **BRHES-D**  
**EQUIPMENT HATCH**



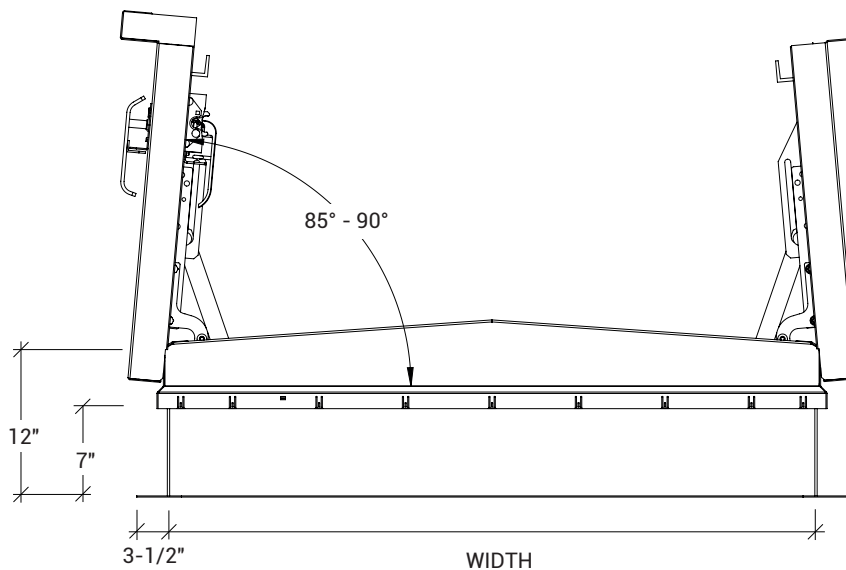
## DIMENSIONS AND APPEARANCE

>> CLICK TO VIEW ADDITIONAL DETAILS AND PRICING <<

### ORDER GUIDE:

MODEL			SIZE (IN.)	DOOR	CURB
GALVANIZED STEEL	ALUMINUM	STAINLESS STEEL			
BRHEG48X48S1T	BRHEA48X48S1T	BRHES48X48S1T	48 X 48	SINGLE	SINGLE WALL
BRHEG60X60D1T	BRHEA60X60D1T	BRHES60X60D1T	60 X 60	DOUBLE	SINGLE WALL
BRHEG72X72D1T	BRHEA72X72D1T	BRHES72X72D1T	72 X 72	DOUBLE	SINGLE WALL
BRHEG60X120D1T	BRHEA60X120D1T	BRHES60X120D1T	60 X 120	DOUBLE	SINGLE WALL

Additional sizes and options available, call for more information



For a complete list of options visit [www.AccessDoorsAndPanels.com](http://www.AccessDoorsAndPanels.com)

## PROJECT DATA

Custom Sizes Available - Fast!

PROJECT NAME :	QTY	W	H	OPTIONS
ARCHITECT :				
DEALER :				
CONTRACTOR :				
LOCATION :	SPECIAL INSTRUCTIONS :			
DATE :	SUBMITTAL APPROVAL : (signature or stamp)			
TAGGING INSTRUCTIONS :				

Scan or Click



To view Pricing and Additional Product Info.

TELEPHONE:  
1-888-457-1275  
FAX:  
1-888-626-2907



PO BOX 66738 #76520,  
SAINT LOUIS, MO  
63166-6738  
USA



WEBSITE:  
[www.AccessDoorsAndPanels.com](http://www.AccessDoorsAndPanels.com)  
E-MAIL:  
[info@AccessDoorsAndPanels.com](mailto:info@AccessDoorsAndPanels.com)