

# SUBMITTAL/TECHNICAL DATA SHEET



## DESCRIPTION

Single Leaf Equipment Roof Hatch is engineered to accommodate extra large equipment access through roofs. With options like curb mounts, heights, and finishes Babcock-Davis is sure to meet your equipment servicing needs.

## FEATURES

- Largest Opening
- Optional Stainless Steel Hardware and Materials
- Single Leaf Door

## SPECIFICATIONS

### MATERIAL:

Aluminum: 11 gauge  
Steel: 14 gauge galvalneal  
Stainless Steel: 14 gauge Type 304

FINISH: Powder coat (steel), Mill (aluminum) or 2B Matte (stainless steel).

COLOR: Red Oxide (steel).

COVER: Formed aluminum metal cover withstands a live load of 40psf with a maximum deflection of 1/150 the span.

CURB: Single wall curb with EZ tab counterflash and mounting flange.

INSULATION: 1" polystyrene in cover and fiberboard around curb.

GASKET: Extruded EPDM adhesive backed gasket seal, continuous around cover.

SPRING: Zinc plated steel tamper-proof hinges contained within spring assembly, includes steel compression springs.

HOLD OPEN ARM: Zinc plated steel automatic hold open arm locks cover in open position.

LATCH: Zinc plated steel latch with exterior and interior turn handles and padlock hasps.

WARRANTY: 5 year

For a complete list of options visit [www.AccessDoorsAndPanels.com](http://www.AccessDoorsAndPanels.com)



SKU: **BRHEG-S**

**EQUIPMENT ROOF HATCH**

SINGLE LEAF

## DIMENSIONS AND APPEARANCE

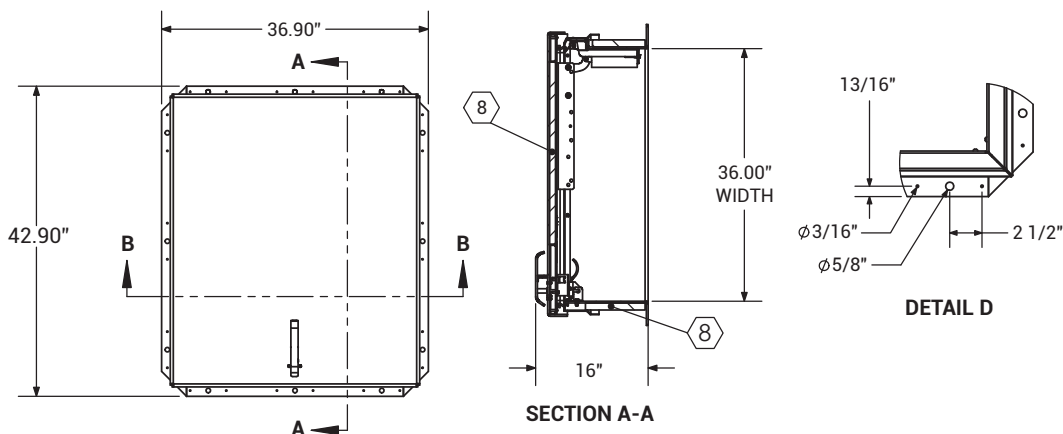
>> CLICK TO VIEW ADDITIONAL DETAILS AND PRICING <<

### ORDER GUIDE:

BASE	MATERIAL	WIDTH	X	LENGTH		CURB		OPTIONS
BRHE					S		T	
	A - Aluminum	STANDARD SIZES (IN.)				1 - SINGLE WALL 2 - DOUBLE WALL 3 - CURB MOUNT 4 - DOUBLE WALL, NO COUNTER FLASH		IPP - 1" POLYISO INSULATION
	B - Aluminum Cover/Steel Curb	36 X 30						IRR - 2" POLYISO INSULATION
	G - Steel	48 X 48						OSS - STAINLESS STEEL HARDWARE
	S - Stainless Steel	60 X 60*						

\*Only available in Aluminum or Aluminum Cover/Steel Curb. Additional sizes and options available, call for more information.

For Detailed Specifications See Submittal Sheet



## PROJECT DATA

Custom Sizes Available - Fast!

PROJECT NAME :	QTY	W	H	OPTIONS
ARCHITECT :				
DEALER :				
CONTRACTOR :				
LOCATION :	SPECIAL INSTRUCTIONS :			
DATE :	SUBMITTAL APPROVAL : (signature or stamp)			
TAGGING INSTRUCTIONS :				

Scan or Click



To view Pricing and Additional Product Info.

TELEPHONE:  
1-888-457-1275  
FAX:  
1-888-626-2907

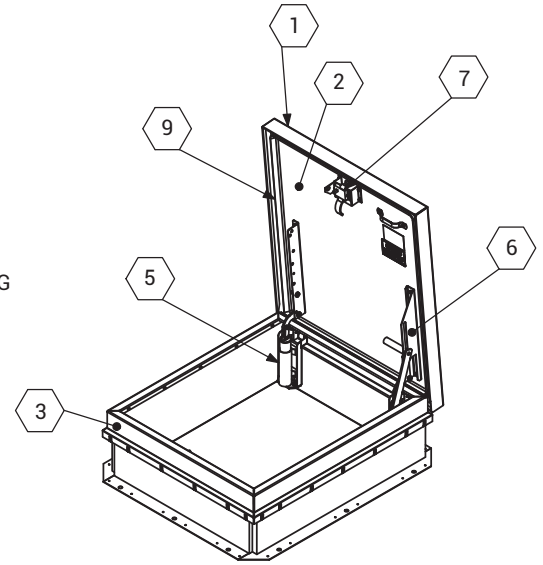
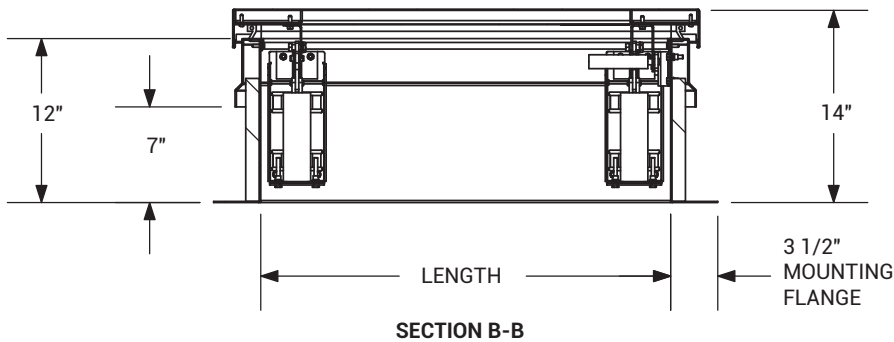
PO BOX 66738 #76520,  
SAINT LOUIS, MO  
63166-6738  
USA

WEBSITE:  
[www.AccessDoorsAndPanels.com](http://www.AccessDoorsAndPanels.com)  
E-MAIL:  
[info@AccessDoorsAndPanels.com](mailto:info@AccessDoorsAndPanels.com)



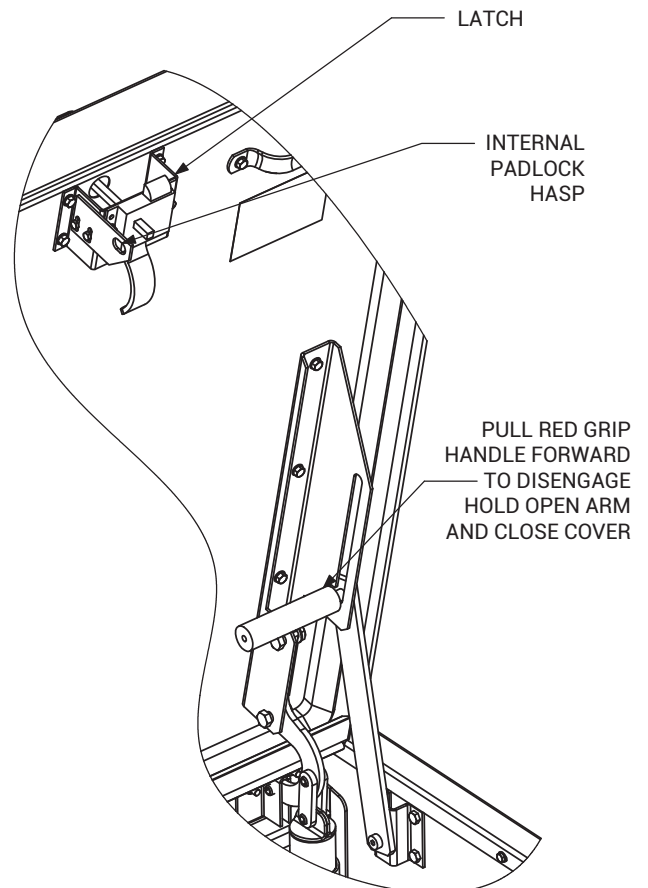
# BRHEG-S

# SINGLE LEAF EQUIPMENT ROOF HATCH



**SPECIFICATIONS:**

- ① COVER: 14 GA STEEL COVER STIFFENED TO WITHSTAND A LIVE LOAD OF 40PSF WITH A MAX DEFLECTION OF 1/150 OF THE SPAN.
- ② LINER: 22 GA GALV STEEL
- ③ CURB AND COUNTERFLASH WITH EZ TAB: 14 GALV STEEL
- ④ FINISH: RED OXIDE POWDER COAT
- ⑤ SPRING/HINGE ASSEMBLY: ZINC PLATED STEEL TAMPER-PROOF HINGE CONTAINED WITHIN SPRING/HINGE ASSEMBLY. TELESCOPIC TUBES CONTAIN COIL STEEL COMPRESSION SPRINGS FOR LIFT ASSISTANCE.
- ⑥ HOLD OPEN ARM: LOCKS COVER IN FULLY OPEN POSITION - ZINC PLATED STEEL WITH RED VINYL GRIP HANDLE PULL RELEASE.
- ⑦ LATCH: SINGLE POINT LATCH SLAM LATCH HOLDS COVER CLOSED AGAINST 20 PSF WIND UPLIFT. INTERNAL AND EXTERNAL TURN HANDLES WITH PADLOCK HASPS.
- ⑧ INSULATION: 1" POLYSTYRENE (R4) IN COVER, AND 1" POLYISO (R6) IN CURB.
- ⑨ GASKET: ADHESIVE BACKED EPDM RUBBER EXTRUSION.
- ⑩ SIZING: WIDTH X LENGTH DIMENSIONS ARE MEASURED INSIDE CURB TO INSIDE CURB WHERE THE WIDTH IS HINGE TO LATCH AND LENGTH IS HINGED SIDE WITH SPRINGS



ROOF HATCH SIZE: 36" (WIDTH) x 30" (LENGTH).

CLEAR OPENING: 25.50" (WIDTH) x 29.25" (LENGTH).

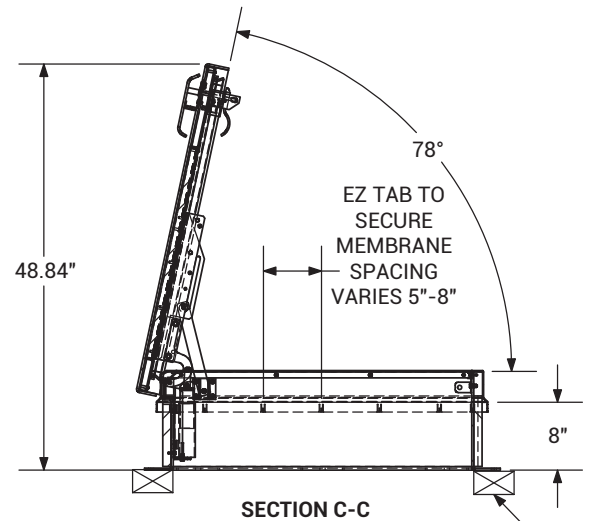
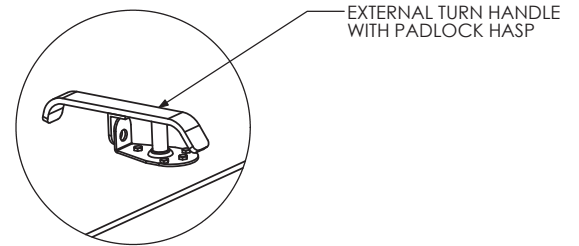
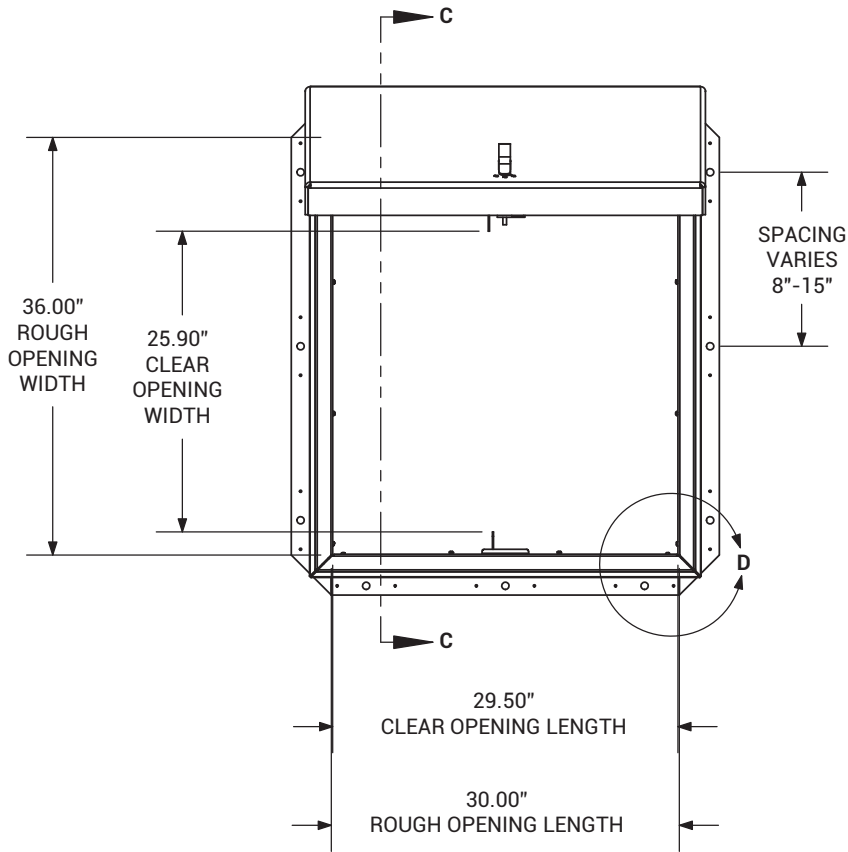
ROUGH OPENING: 36" (WIDTH) x 30" (LENGTH).

**HARDWARE DETAILS**



# BRHEG-S

# SINGLE LEAF EQUIPMENT ROOF HATCH



WOOD, CONCRETE, OTHER MATERIAL FOR MOUNTING BY OTHERS (NIC)