

SUBMITTAL/TECHNICAL DATA SHEET



DESCRIPTION

Equipment Roof Hatch is engineered to accommodate extra large equipment access through roofs. With options like curb mounts, heights, and finishes Babcock-Davis is sure to meet your equipment servicing needs.

FEATURES

- Largest Opening
- Optional Stainless Steel Hardware and Materials
- Railing Ready

SPECIFICATIONS

MATERIAL:

Aluminum: 11 gauge
Steel: 14 gauge galvalneal
Stainless Steel: 14 gauge Type 304

FINISH: Powder coat (steel), Mill (aluminum) or 2B Matte (stainless steel).

COLOR: Red Oxide (steel).

COVER: Formed aluminum metal cover withstands a live load of 40psf with a maximum deflection of 1/150 the span.

CURB: Single wall curb with EZ tab counterflash and mounting flange.

INSULATION: 1" polystyrene in cover and fiberboard around curb.

GASKET: Extruded EPDM adhesive backed gasket seal, continuous around cover.

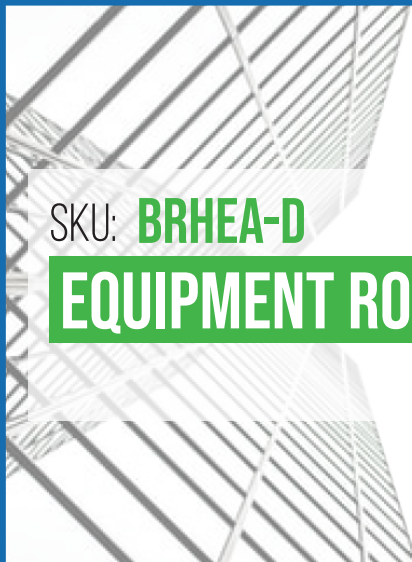
SPRING/HINGE ASSEMBLY: Zinc plated steel tamper-proof hinges contained within spring assembly, includes steel compression springs.

HOLD OPEN ARM: Zinc plated steel automatic hold open arm locks cover in open position.

LATCH: Zinc plated steel latch with exterior and interior turn handles and padlock hasps.

WARRANTY: 5 year

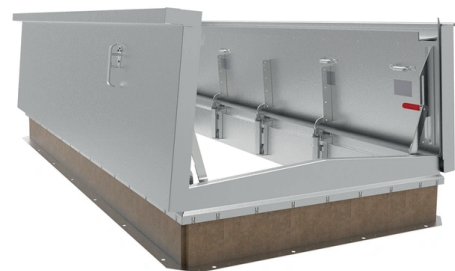
For a complete list of options visit www.AccessDoorsAndPanels.com



SKU: **BRHEA-D**

EQUIPMENT ROOF HATCH

DOUBLE LEAF



DIMENSIONS AND APPEARANCE

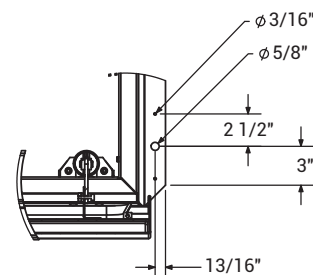
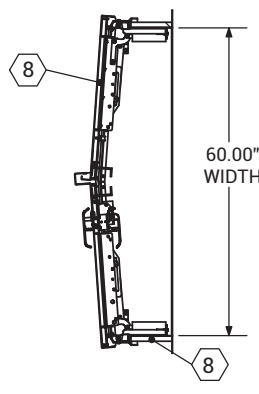
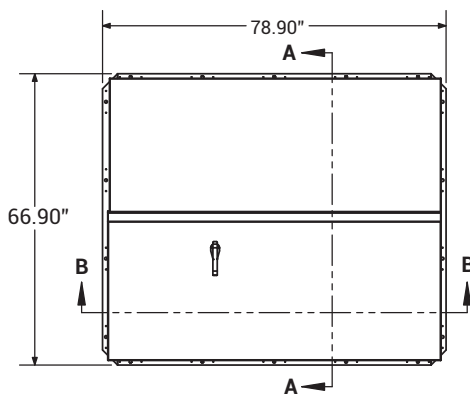
>> CLICK TO VIEW ADDITIONAL DETAILS AND PRICING <<

ORDER GUIDE:

BASE	MATERIAL	WIDTH	X	LENGTH	DOOR	CURB	OPTIONS
BRHE					D		T
	A - Aluminum	STANDARD SIZES (IN.)				1 - SINGLE WALL	IPP - 1" POLYISO INSULATION
	B - Aluminum Cover/Steel Curb	36 X 30				2 - DOUBLE WALL	IRR - 2" POLYISO INSULATION
	G - Steel	48 X 48				3 - CURB MOUNT	OSS - STAINLESS STEEL HARDWARE
	S - Stainless Steel	60 X 60*				4 - DOUBLE WALL, NO COUNTER FLASH	

*Only available in Aluminum or Aluminum Cover/Steel Curb. Additional sizes and options available, call for more information.

For Detailed Specifications See Submittal Sheet



DETAIL D

SECTION A-A

PROJECT DATA

Custom Sizes Available - Fast!

PROJECT NAME :	QTY	W	H	OPTIONS
ARCHITECT :				
DEALER :				
CONTRACTOR :				
LOCATION :	SPECIAL INSTRUCTIONS :			
DATE :	SUBMITTAL APPROVAL : (signature or stamp)			
TAGGING INSTRUCTIONS :				

Scan or Click



To view Pricing and Additional Product Info.

TELEPHONE:
1-888-457-1275
FAX:
1-888-626-2907

PO BOX 66738 #76520,
SAINT LOUIS, MO
63166-6738
USA

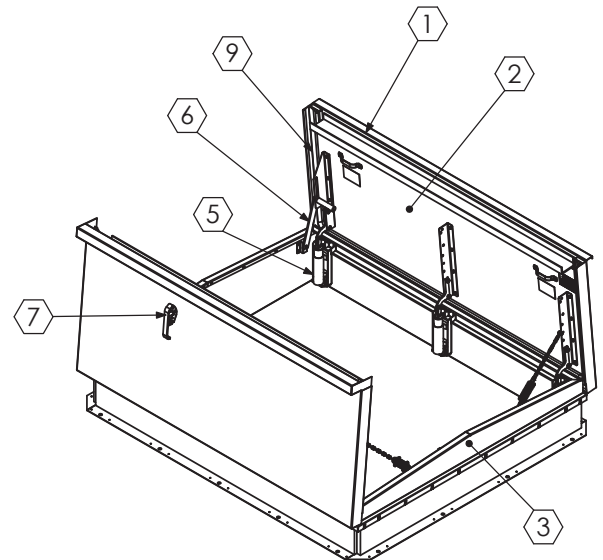
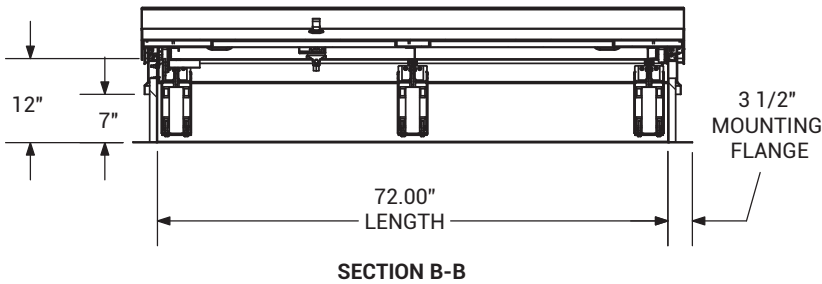


WEBSITE:
www.AccessDoorsAndPanels.com
E-MAIL:
info@AccessDoorsAndPanels.com



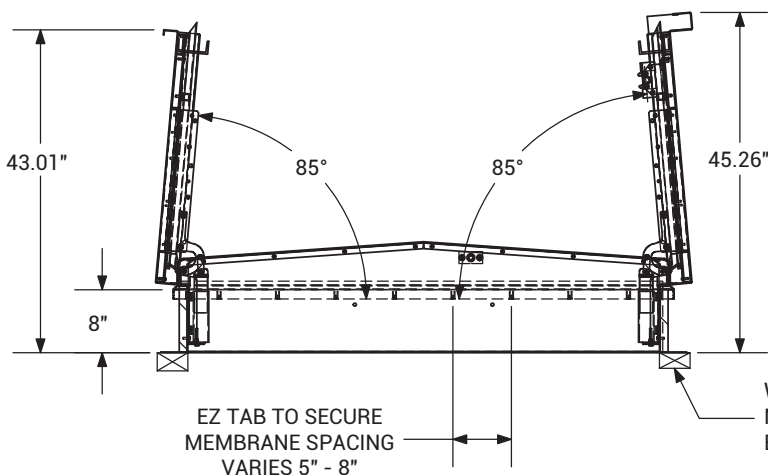
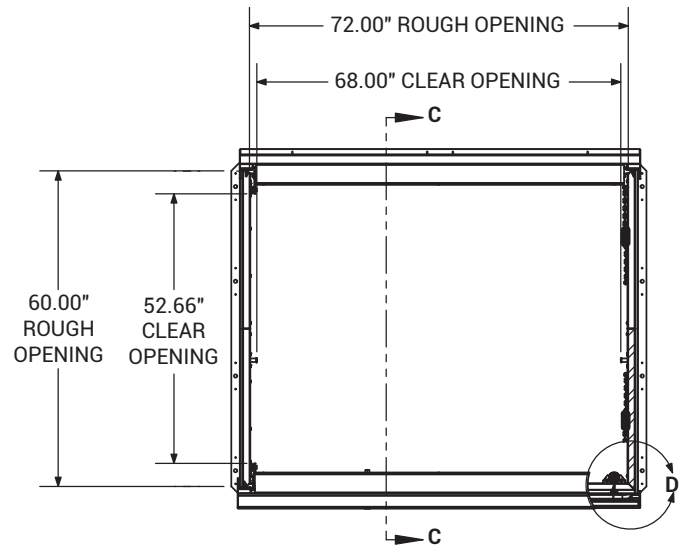
BRHEA-D

DOUBLE LEAF EQUIPMENT ROOF HATCH



SPECIFICATIONS:

- ① COVER: 11 GA ALUM COVER STIFFENED TOWITHSTAND A LIVE LOAD OF 40PSF WITH A MAX DEFLECTION OF 1/150 OF THE SPAN.
- ② LINER: 18 GA ALUM
- ③ CURB AND COUNTERFLASH WITH EZ TAB: 11 GA ALUM
- ④ FINISH: MILL FINISH
- ⑤ SPRING/HINGE ASSEMBLY: ZINC PLATED STEEL TAMPER-PROOF HINGE CONTAINED WITHIN SPRING/HINGE ASSEMBLY. TELESCOPIC TUBES CONTAIN COIL STEEL COMPRESSION SPRINGS FOR LIFT ASSISTANCE.
- ⑥ HOLD OPEN ARM: LOCKS COVER IN FULLY OPEN POSITION - ZINC PLATED STEEL WITH RED VINYL GRIP HANDLE PULL RELEASE.
- ⑦ LATCH: SINGLE POINT LATCH SLAM LATCH HOLDS COVER CLOSED AGAINST 20 PSF WIND UPLIFT. INTERNAL AND EXTERNAL TURN HANDLES WITH PADLOCK HASPS.
- ⑧ INSULATION: 1" POLYSTYRENE (R4) IN COVER, AND 1" POLYISO (R6) IN CURB.
- ⑨ GASKET: ADHESIVE BACKED EPDM RUBBER EXTRUSION.
- ⑩ SIZING: WIDTH DIMENSION IS MEASURED HINGE TO HINGE LENGTH DIMENSION IS MEASURED HINGED SIDE.



ROOF HATCH SIZE: 60" (WIDTH) x 72" (LENGTH).
CLEAR OPENING: 52.66" (WIDTH) x 68.00" (LENGTH).
ROUGH OPENING: 60" (WIDTH) x 72" (LENGTH).