

SUBMITTAL/TECHNICAL DATA SHEET



DESCRIPTION

Drywall Access Door provides simple access through a vertical or horizontal surface with push latching door. Engineered with a welded aluminum frame and an optional removable door that is designed to receive 1/2 inch or 5/8 inch drywall infill to seamlessly integrate into the surrounding wall.

FEATURES

- Optional Double Door
- Push Latching Door
- Safety Cord

SPECIFICATIONS

MODEL: BRGB/BRGBR/BRGT

DOOR: Welded Aluminum, Drywall Infill

FRAME: Welded Aluminum

SIZE:
Min: 8 inches by 8 inches
Max: 24 inches by 24 inches

INSTALLATION: Wall or Ceiling

FLANGE: Exposed

HINGE: Welded Pin

FINISH: Mill

WARRANTY: 1 year

OPTIONS: Flanges, Latches, Materials, Gaskets

For a complete list of options visit www.AccessDoorsAndPanels.com



SKU: **BRGT**

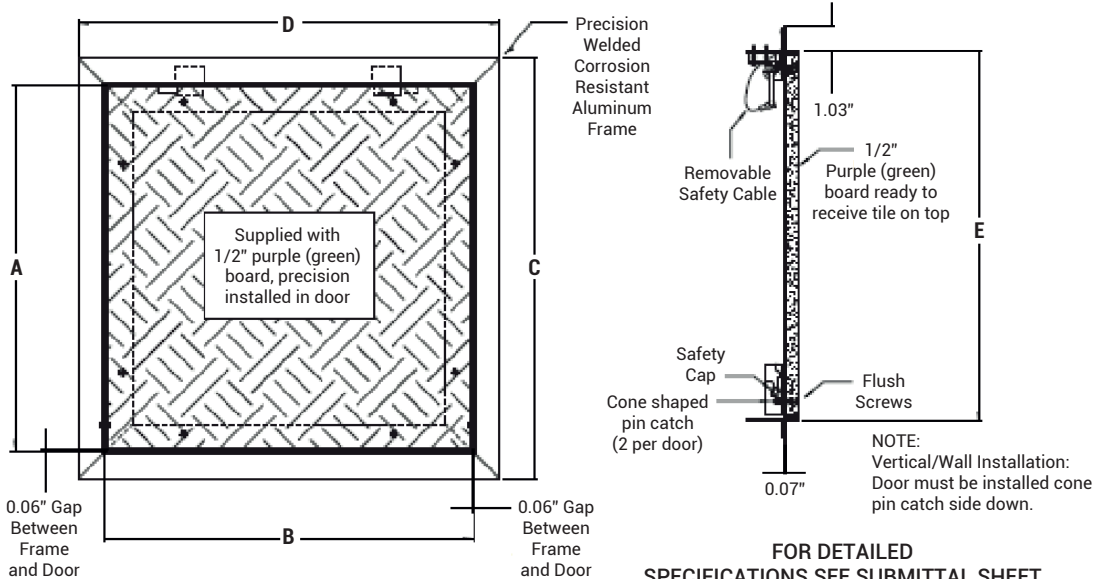
DRYWALL ACCESS DOOR

DIMENSIONS AND APPEARANCE

>> CLICK TO VIEW ADDITIONAL DETAILS AND PRICING <<

ORDER GUIDE:

| BASE | FLANGE | WIDTH | X | LENGTH | OPTIONS | - | INFILL | |
|------|-----------------|----------------|---|-----------|---------|------------------------|--------|---------------|
| BRG | | | X | | | - | | |
| | B No Flange | STANDARD SIZES | | | C | Screw Driver Cam Latch | 500 | -1/2" Drywall |
| | BR Plaster Bead | 8" X 8" | | 20" X 20" | D | Double Door | 625 | -5/8" Drywall |
| | T Drywall Bead | 12" X 12" | | 24" X 24" | L | Key Operated Cam Latch | | |
| | | 16" X 16" | | | | | | |



FOR DETAILED SPECIFICATIONS SEE SUBMITTAL SHEET

PROJECT DATA

Custom Sizes Available - Fast!

| | | | | |
|------------------------|--|---|---|---------|
| PROJECT NAME : | QTY | W | H | OPTIONS |
| ARCHITECT : | | | | |
| DEALER : | | | | |
| CONTRACTOR : | | | | |
| LOCATION : | SPECIAL INSTRUCTIONS : | | | |
| DATE : | SUBMITTAL APPROVAL : (signature or stamp) | | | |
| TAGGING INSTRUCTIONS : | | | | |

Scan or Click



To view Pricing and Additional Product Info.

TELEPHONE:
1-888-457-1275
FAX:
1-888-626-2907



PO BOX 66738 #76520,
SAINT LOUIS, MO
63166-6738
USA



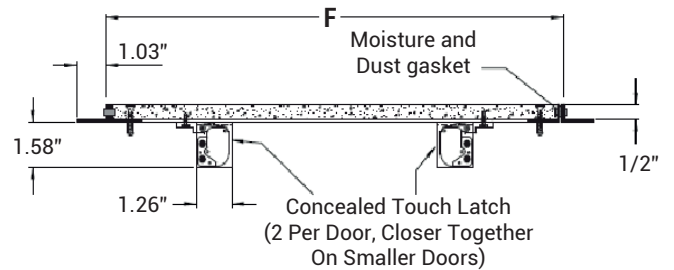
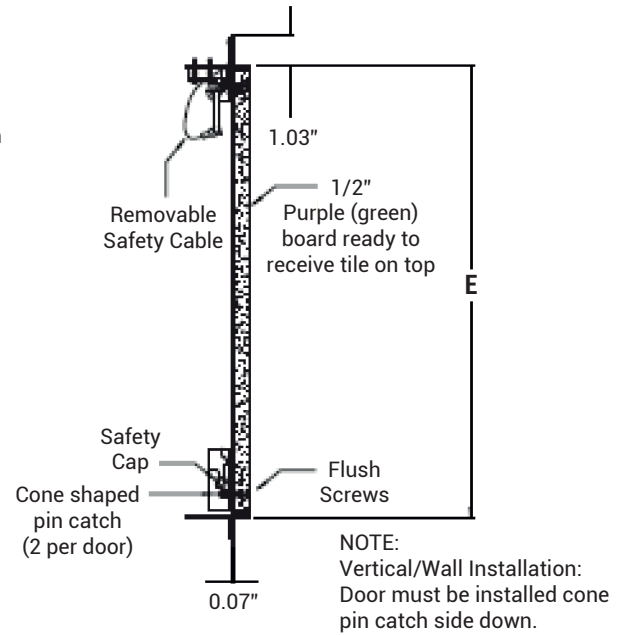
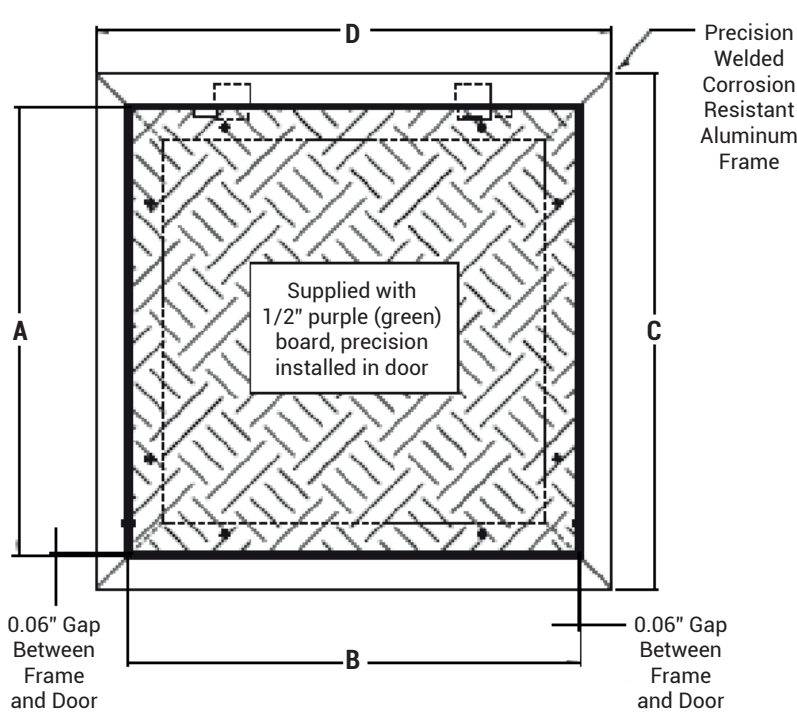
WEBSITE:
www.AccessDoorsAndPanels.com
E-MAIL:
info@AccessDoorsAndPanels.com



BRGT

DRYWALL ACCESS DOOR FOR 1/2" BACK BOARD

| QTY | NOMINAL SIZE W X H | | A | | B | | C | | D | | E | | F | |
|-----|--------------------|-----------|--------|-----|--------|-----|--------|-----|--------|-----|--------|-----|--------|-----|
| | Inches | mm | Inches | mm | Inches | mm | Inches | mm | Inches | mm | Inches | mm | Inches | mm |
| | 8 x 8 | 203 x 203 | 8.00 | 203 | 8.00 | 203 | 10.20 | 258 | 10.20 | 258 | 8.14 | 207 | 8.14 | 207 |
| | 12 x 12 | 305 x 305 | 12.00 | 305 | 12.00 | 305 | 14.20 | 359 | 14.20 | 359 | 12.14 | 308 | 12.14 | 308 |
| | 16 x 16 | 406 x 406 | 16.00 | 406 | 16.00 | 406 | 18.20 | 461 | 18.20 | 461 | 16.14 | 410 | 16.14 | 410 |
| | 20 x 20 | 508 x 508 | 20.00 | 508 | 20.00 | 508 | 22.20 | 562 | 22.20 | 562 | 22.14 | 512 | 22.14 | 512 |
| | 24 x 24 | 610 x 610 | 24.00 | 610 | 24.00 | 610 | 26.20 | 664 | 26.20 | 664 | 24.14 | 613 | 24.14 | 613 |

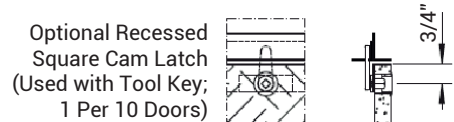
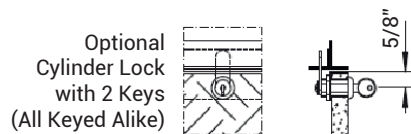


SPECIFICATIONS:

- CONCEALED TOUCH LATCH
- WELDED ALUMINUM FRAME
- WELDED ALUMINUM, NON-HINGED, REMOVABLE DOOR
- PRE-INSTALLED PRECISION BACK BOARD DESIGNED TO RECEIVE TILE
- MILL FINISH
- NON-SNAG REMOVABLE SAFETY CABLE
- SUPPLIED TO FIT 1/2" BACK BOARD
- ROUGH OPENING TO BE WIDTH/HEIGHT + 0.188"

OPTIONS:

- CYLINDER LOCK WITH 2 KEYS (ALL KEYED ALIKE)
- RECESSED SQUARE CAM LATCH (USE WITH TOOL KEY, 1 PER 10 DOORS)

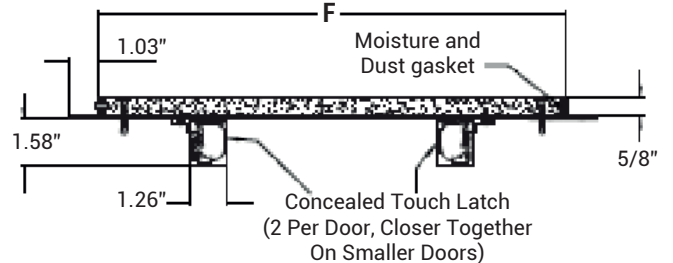
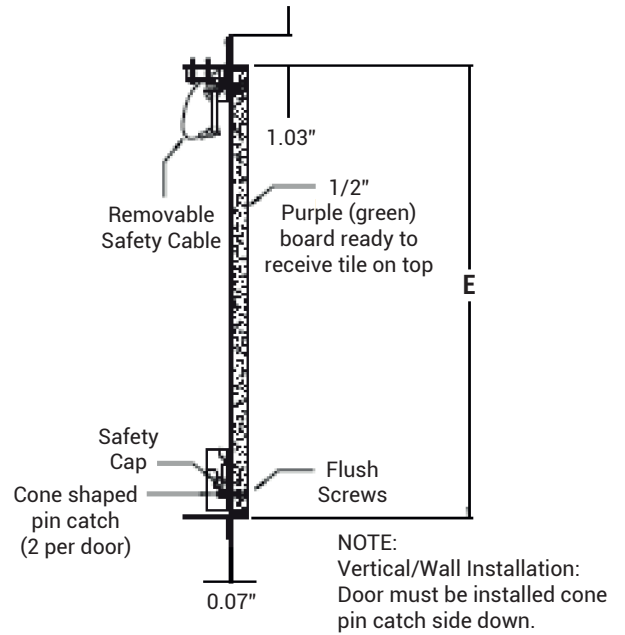
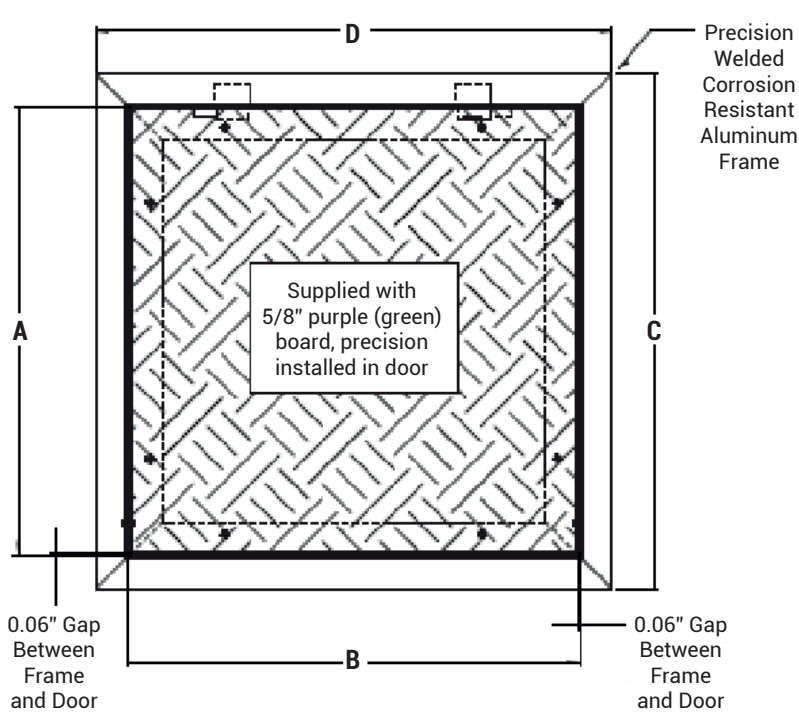




BRGT

DRYWALL ACCESS DOOR FOR 5/8" BACK BOARD

| QTY | NOMINAL SIZE W X H | | A | | B | | C | | D | | E | | F | |
|-----|--------------------|-----------|--------|-----|--------|-----|--------|-----|--------|-----|--------|-----|--------|-----|
| | Inches | mm | Inches | mm | Inches | mm | Inches | mm | Inches | mm | Inches | mm | Inches | mm |
| | 8 x 8 | 203 x 203 | 8.00 | 203 | 8.00 | 203 | 10.20 | 258 | 10.20 | 258 | 8.14 | 207 | 8.14 | 207 |
| | 12 x 12 | 305 x 305 | 12.00 | 305 | 12.00 | 305 | 14.20 | 359 | 14.20 | 359 | 12.14 | 308 | 12.14 | 308 |
| | 16 x 16 | 406 x 406 | 16.00 | 406 | 16.00 | 406 | 18.20 | 461 | 18.20 | 461 | 16.14 | 410 | 16.14 | 410 |
| | 20 x 20 | 508 x 508 | 20.00 | 508 | 20.00 | 508 | 22.20 | 562 | 22.20 | 562 | 22.14 | 512 | 22.14 | 512 |
| | 24 x 24 | 610 x 610 | 24.00 | 610 | 24.00 | 610 | 26.20 | 664 | 26.20 | 664 | 24.14 | 613 | 24.14 | 613 |



SPECIFICATIONS:

- CONCEALED TOUCH LATCH
- WELDED ALUMINUM FRAME
- WELDED ALUMINUM, NON-HINGED, REMOVABLE DOOR
- PRE-INSTALLED PRECISION BACK BOARD DESIGNED TO RECEIVE TILE
- MILL FINISH
- NON-SNAG REMOVABLE SAFETY CABLE
- SUPPLIED TO FIT 5/8" BACK BOARD
- ROUGH OPENING TO BE WIDTH/HEIGHT + 0.188"

OPTIONS:

- CYLINDER LOCK WITH 2 KEYS (ALL KEYED ALIKE)
- RECESSED SQUARE CAM LATCH (USE WITH TOOL KEY, 1 PER 10 DOORS)

