

# BP-58

## Bauco Plus, Drywall Panel Door

### Application

- Designed to provide access in walls and ceilings, while maintaining an invisible, architecturally pleasing appearance

### Product Features

- Door panel is supplied with one layer of 5/8" drywall (or 1/2")
- Removable door panel
- Concealed hinge

### BP-58 Bauco Plus Access Door Specifications:

Material: Aluminum extrusion

Door: 5/8" drywall inserted into door panel  
(1/2" also available)

Door Frame: Recessed aluminum extrusion provides similar edge to drywall bead against which wall or ceiling surface can be finished

Hinge: Unique concealed non-corroding two-point pin hinge

Standard Latch: Screwdriver operated cam latch

Optional Latches/Locks: Tamper resistant torx head cam latch, cylinder lock and key, concealed touch latch

Finish: Mill Finish. Drywall is ready to be finished to match surrounding wall or ceiling surface

Finish: Mill Finish. Drywall is ready to be finished to match surrounding wall or ceiling surface.

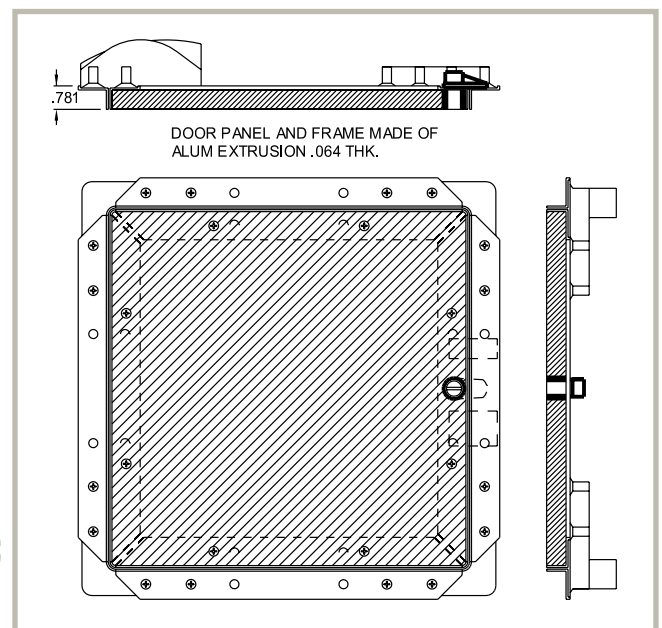
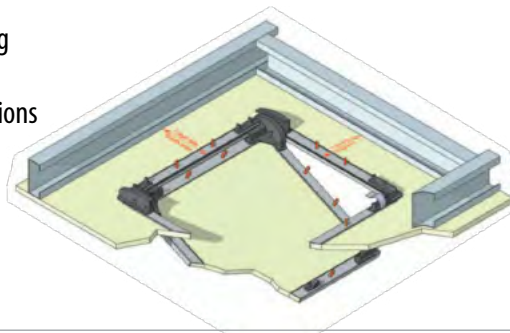


### BP-58 STANDARD SIZES (Other sizes available upon request)

Nominal Door Size W&H		Weight per Door	
Inches	(mm)	lbs.	(kg.)
12 x 12	305 x 305	5.0	2.25
18 x 18	457 x 457	9.0	4.0
24 x 24	610 x 610	14.0	6.3
24 x 36	610 X 914	21.0	9.5

Wall or ceiling opening is W + 1/4" (6 mm)

For detailed specifications see submittal sheet



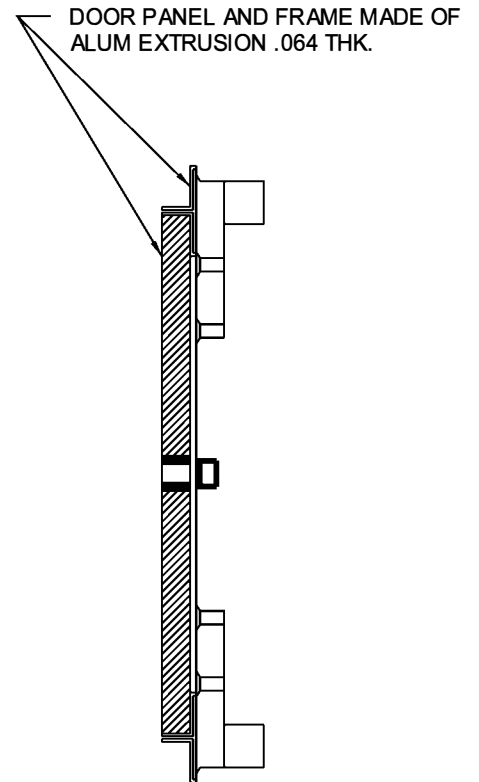
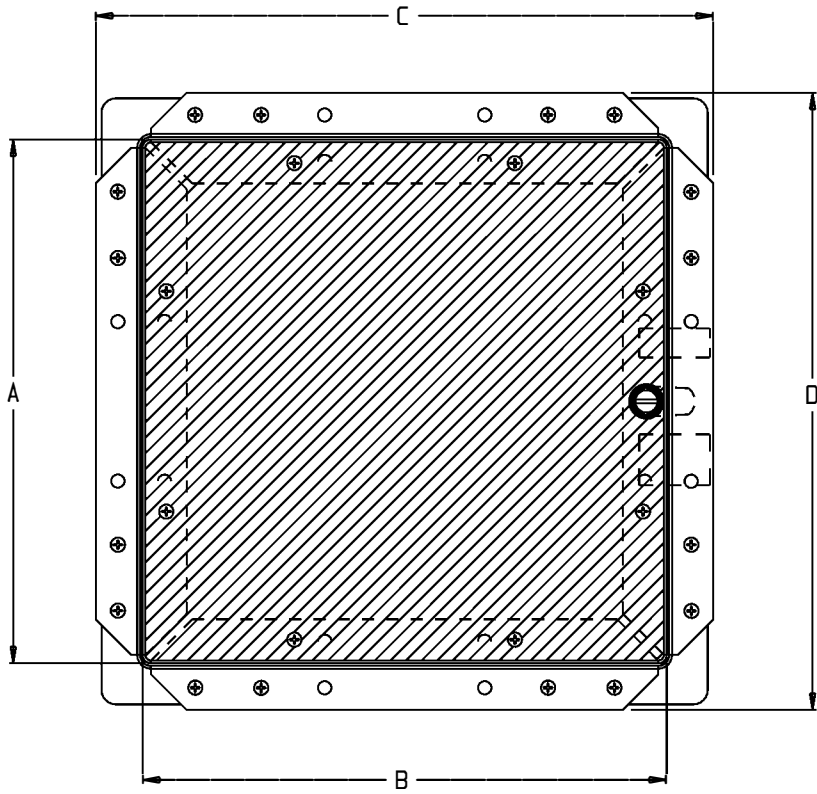
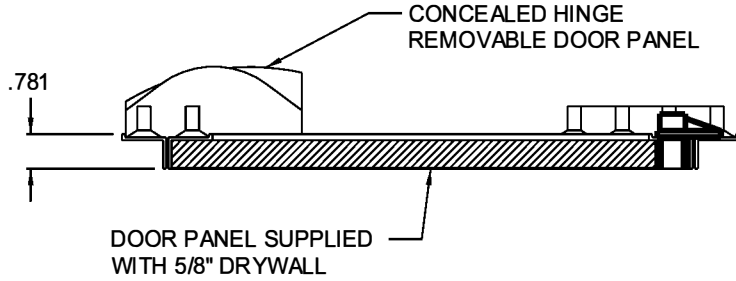


Access Doors and Panels  
 www.AccessDoorsAndPanels.com  
 info@accessdoorsandpanels.com  
 Phone: 1-800-609-2917  
 Fax: 1-888-626-2907

# BP-58

## DRYWALL INSERT

QTY	NOMINAL SIZE	A	B	C	D	WALL/CEILING OPENING	LOCK
	12 x 12 (305 x 305)	11.89 (302)	11.89 (302)	14.00 (356)	14.00 (356)	12.25 x 12.25 311 x 311	1
	18 x 18 (457 x 457)	17.89 (454)	17.89 (454)	20.00 (508)	20.00 (508)	18.25 x 18.25 464 x 464	2
	24 x 24 (610 x 610)	23.89 (607)	23.89 (607)	26.00 (660)	26.00 (660)	24.25 x 24.25 616 x 616	2
	24 x 36 (610 x 914)	35.89 (912)	23.89 (607)	26.00 (660)	38.00 (965)	24.25 x 36.25 616 x 921	2



**STANDARD FEATURES:**

SCREW DRIVER CAM LATCH; REMOVABLE DOOR PANEL;  
 UNIT IS SUPPLIED WITH 5/8" (OR 1/2") DRYWALL IN DOOR PANEL;  
 ALUMINUM DOOR AND FRAME - MILL FINISH

**OPTIONS: LOCK TYPE**

- TAMPER RESISTANT TORX HEAD
- CONCEALED TOUCH LATCH
- CYLINDER LOCK & KEY

JOB NAME:

CUSTOMER:

APPROVED BY:

DATE: