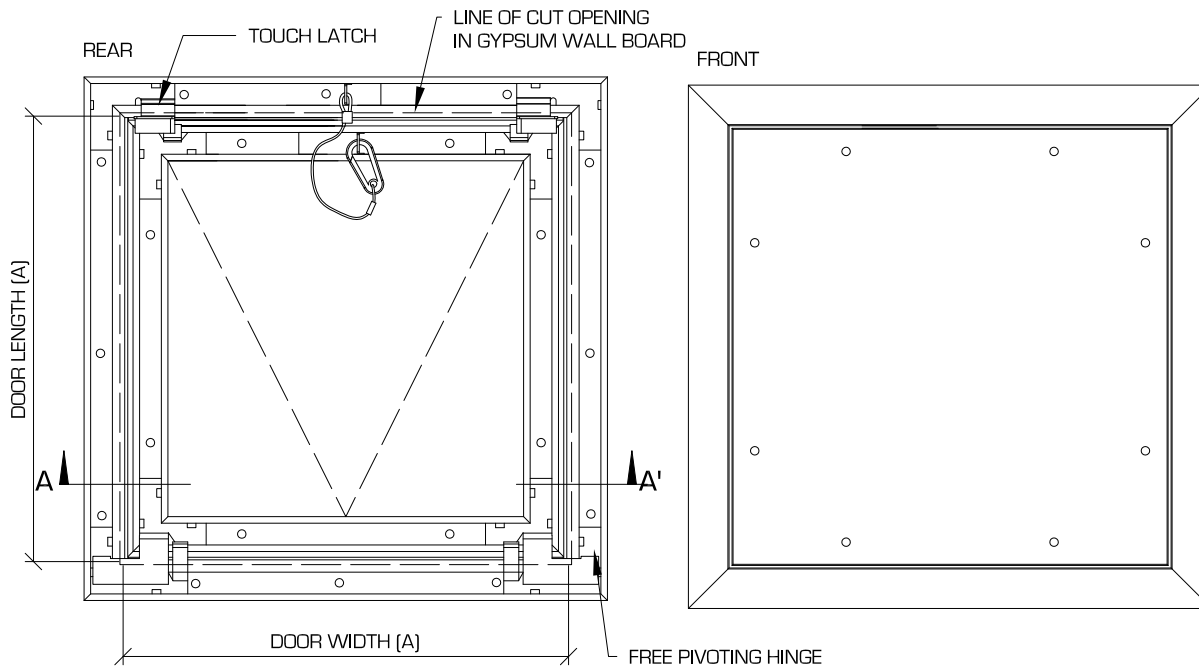


BAUCO PLUS II SINGLE LEAF WALL OR CEILING ACCESS PANEL - TOUCH LATCH



FOR USE IN:

- ALL ASSEMBLIES CLAD IN GYPSUM WALL BOARD 1/2" (13 mm) OR 5/8" (16 mm)
- WALL OR CEILING INSTALLATION
- NEW CONSTRUCTION OR REPAIRS
- ROUGH OPENINGS IN GWB WITHOUT ABUTTING STRUCTURES

FRAME:

- RECESSED ALUMINUM EXTRUSIONS
- FRAME ACTS AS CORNER BEAD FOR FINISHING
- 1/16" (2mm) GAP BETWEEN FRAME AND DOOR

STANDARD FEATURES:

- STRONG CONCEALED ALUMINUM FRAME AND HARDWARE
- CONCEALED MECHANICAL TOUCH-LATCH
- LIFT-OUT DOORS WITH SAFETY CABLES
- MOISTURE RESISTANT GWB INLAY
- PERIMETER GASKET (AIR & SMOKE TIGHT)

HINGE:

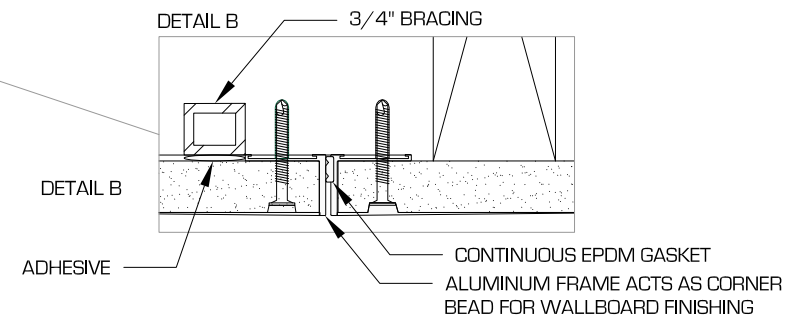
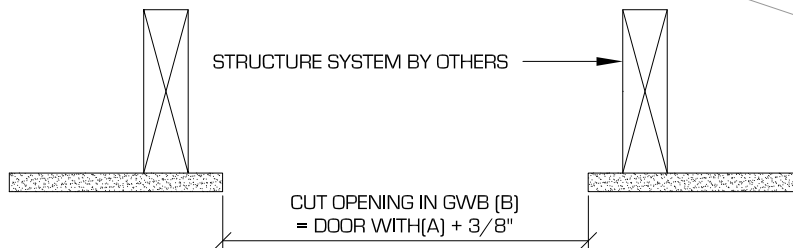
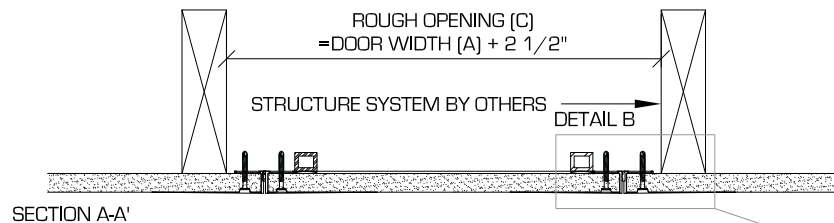
- FREE PIVOTING HINGE
- DOOR CAN BE REMOVED FOR MAXIMUM CLEARANCE

SOUND TRANSMISSION:

- BAUCO PLUS II ACCESS PANELS WILL NOT REDUCE THE STC RATING OF THE ASSEMBLY

LATCH:

- CONCEALED TOUCH LATCH (STANDARD)
- CAM LATCH (OPTIONAL)
- TAMPER RESISTANT CAM LATCH (OPTIONAL)
- KEYED LOCK (OPTIONAL)



bauco-plus II®

ARCHITECTURAL ACCESS PANEL WITH CONCEALED HARDWARE AND GYPSUM BOARD INLAY



PO Box 66738 #76520, Saint Louis, MO
63166-6738 USA
Toll Free Phone: 1-800-609-2917
Email: info@accessdoorsandpanels.com
Fax: 1-888-626-2907

PROJECT NAME

APPROVED BY

CLIENT

DATE