

# SUBMITTAL/TECHNICAL DATA SHEET



## DESCRIPTION

Insulated Lightweight Access Door offers a solution to larger openings in vertical or horizontal applications. Available in both pre-finished, embossed, galvanized steel, and aluminum door skins.

## FEATURES

- Lightweight
- Ceiling Application
- Custom Sizing

## SPECIFICATIONS

MODEL: BLW/BLW-D

DOOR: 26 gauge Steel, Pre-Finished, Embossed

FRAME: .045 inch 6063-T5 Extruded Aluminum

SIZE: Min:

- Single Door: 12 inches by 12 inches
- Double Door: 24 inches by 24 inches

- Max:
- Single Door: 18 inches by 72 inches, 24 inches by 60 inches or 48 inches by 48 inches
  - Double Door: 60 inches by 96 inches, 66 inches by 90 inches or 84 inches by 84 inches

INSTALLATION: Ceiling

FLANGE: 1-5/16 inch, Rolled

HINGE: Continuous Piano

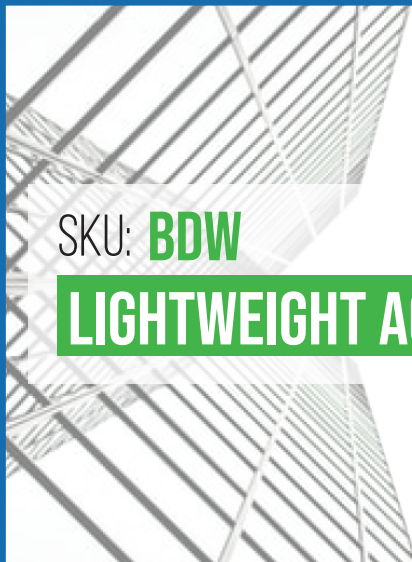
FINISH:

Door Skin: White Embossed Steel  
Frame: Clear Anodized Aluminum

OPTIONS: Latches, Door Styles and Gaskets

WARRANTY: 1 year

For a complete list of options visit [www.AccessDoorsAndPanels.com](http://www.AccessDoorsAndPanels.com)



SKU: **BDW**

**LIGHTWEIGHT ACCESS DOOR**



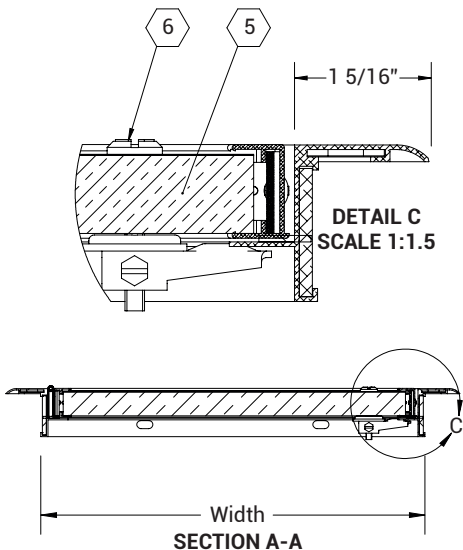
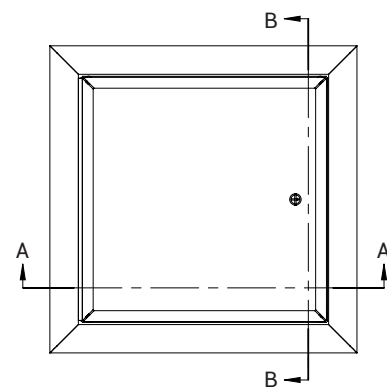
## DIMENSIONS AND APPEARANCE

>> CLICK TO VIEW ADDITIONAL DETAILS AND PRICING <<

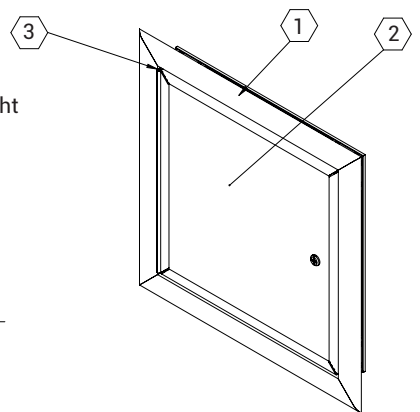
### ORDER GUIDE:

BASE	FLANGE	WIDTH	X	LENGTH	OPTIONS
BLW		STANDARD SIZES (W X L)			
	L Key Operated Cam Latch	12" X 12"	24" X 48"		A Aluminum Insert Panel
		18" X 18"	30" X 30"		
		22" X 30"	30" X 36"		G Gasketing
	T Screwdriver Cam Latch	22" X 36"	36" X 36"		
		24" X 24"	48" X 48"*		D Double Door
		24" X 36"	60" X 48"*		
			72" X 48"*		

Rough opening is door size + 1/4 inch minimum.  
Additional sizes available, call for more information.  
\*Double Door Construction.



For Detailed Specifications See Submittal Sheet



## PROJECT DATA

Custom Sizes Available - Fast!

PROJECT NAME :	QTY	W	H	OPTIONS
ARCHITECT :				
DEALER :				
CONTRACTOR :				
LOCATION :	SPECIAL INSTRUCTIONS :			
DATE :				
TAGGING INSTRUCTIONS :	SUBMITTAL APPROVAL : (signature or stamp)			

Scan or Click



To view Pricing and Additional Product Info.

TELEPHONE:  
1-888-457-1275  
FAX:  
1-888-626-2907

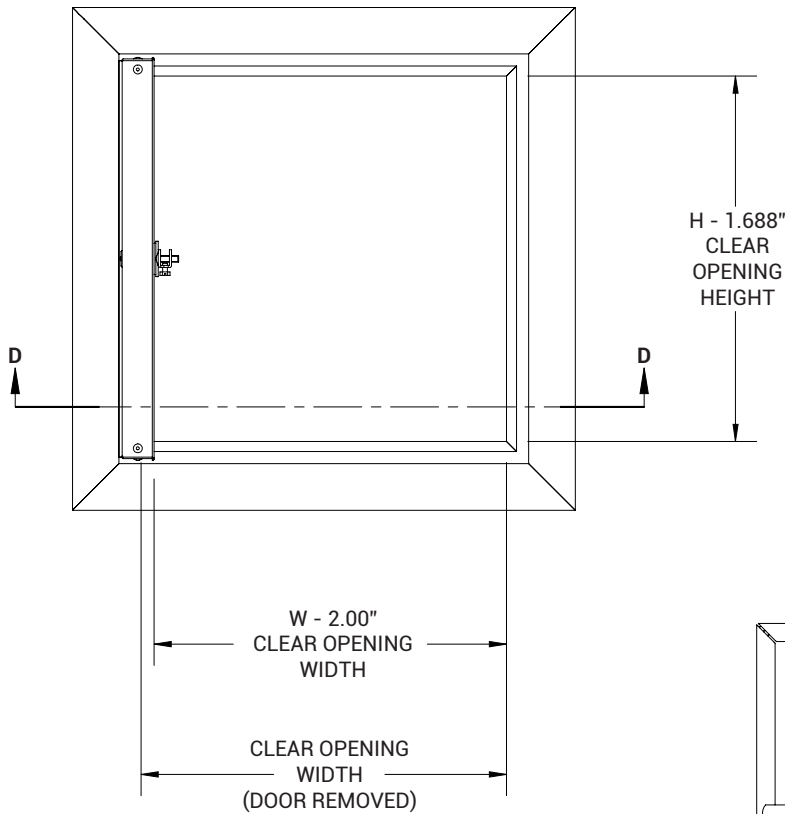
PO BOX 66738 #76520,  
SAINT LOUIS, MO  
63166-6738  
USA

WEBSITE:  
[www.AccessDoorsAndPanels.com](http://www.AccessDoorsAndPanels.com)  
E-MAIL:  
[info@AccessDoorsAndPanels.com](mailto:info@AccessDoorsAndPanels.com)



# BDW

# LIGHTWEIGHT ACCESS DOOR



**NOTES:**

- ① FRAME: .080-6063-T5 Extruded Aluminum
- ② DOOR: FRAME: .045-6063-T5 Extruded Aluminum  
PANEL: 24 Ga Galv Steel
- ③ HINGE:
- ④ FINISH: FRAME: Clear Anodized  
PANEL: Pre-Finished White Embossed
- ⑤ INSULATION: 3/4" Extruded Polystyrene, 3.8 R Value
- ⑥ LATCH: Screwdriver Cam

**OPTIONS:**

- Gasket Installed (G)
- Aluminum Door Panel, Mill (A)

ROUGH OPENING: W + 0.25" x H + 0.25"  
CLEAR OPENING: W - 2.00" x H - 1.688"  
DEGREE OF OPENING: 180°

