

SUBMITTAL/TECHNICAL DATA SHEET



DESCRIPTION

Fire-Rated Upward Opening Access Door is designed for those special ceiling applications when the door must swing upward into the ceiling cavity.

FEATURES

- Fire-Rated
- Self-Closing by Gravity
- Ceiling Installation
- Custom Sizing

SPECIFICATIONS

MODEL: BIU OR BFRU

DOOR: 18 gauge Steel

FRAME: 16 gauge Steel

SIZE: Min: 6 inches by 6 inches

- Min:
- BIU: 12 inches by 12 inches
 - BFRU: > 24 inches by 36 inches
- Max:
- BIU: 24 inches by 36 inches
 - BFRU: 40 inches by 70 inches

INSTALLATION: Ceiling

FLANGE: 1 inch Exposed

HINGE: Flush Continuous Piano

LATCH: 1/4 inch Allen Head Key

INSULATION:

- BIU: 2 inch fire-rated mineral fiber; R-8
- BFRU: 1-1/2 inch fire-rated insulation, R-6.3

CERTIFICATION: Warnock-Hersey listed for 1 hour

FINISH: Off White Prime Coat

WARRANTY: 1 year

OPTIONS: Materials and Gaskets

For a complete list of options visit www.AccessDoorsAndPanels.com



SKU: **BIU**

UPWARD OPENING ACCESS DOOR

DIMENSIONS AND APPEARANCE

>> CLICK TO VIEW ADDITIONAL DETAILS AND PRICING <<

ORDER GUIDE:

BASE	WIDTH	X	LENGTH	OPTIONS
B				
IU - Sizes ≤24" x 36"	STANDARD SIZES (in.)			B - Galvannealed
	IU		FRU	
FRU - >24" x 36"	12 X 12		24 X 48	G - Gasketing
	14 X 14		30 X 30	
	18 X 18		30 X 36	S - Type 304 Stainless Steel
	22 X 22		30 X 48	
	22 X 36		32 X 32	
	24 X 36		36 X 36	

Rough opening is door size +1/4 inch minimum. Use BIU for access doors 24 inches by 36 inches or smaller; BFRU for larger doors.

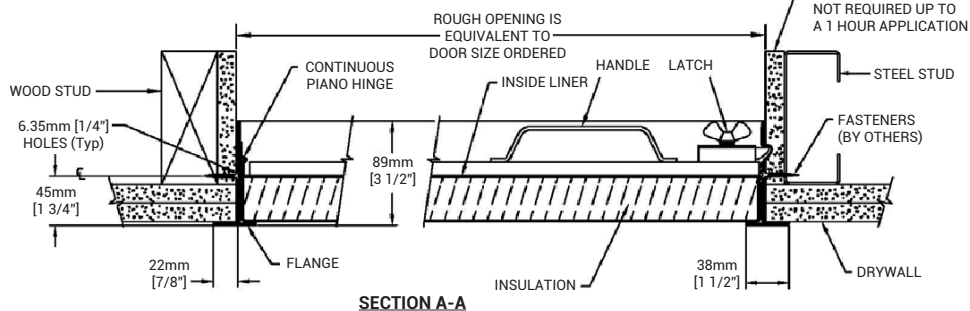
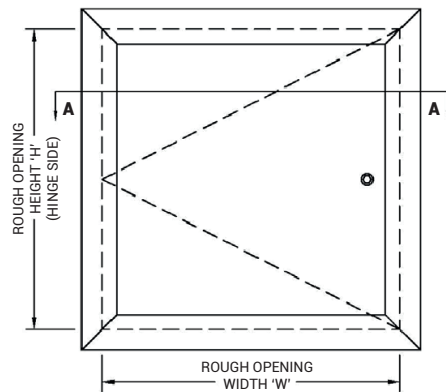
Additional sizes available, call for more information.

FRD wall and ceiling fire-rated panels are manufactured under the factory inspection service of Intertek (Warnock Hersey) and have a label reading: "Listed access frame and insulated fire door assembly 2 hour fire rating. Vertical and Horizontal Installation."

Temperature rise maximum 139°C/ 250°F at 30 minutes, 250°C/450°F at 60 minutes.



For Detailed Specifications See Submittal Sheet



PROJECT DATA

Custom Sizes Available - Fast!

PROJECT NAME :	QTY	W	H	OPTIONS
ARCHITECT :				
DEALER :				
CONTRACTOR :				
LOCATION :	SPECIAL INSTRUCTIONS :			
DATE :				
TAGGING INSTRUCTIONS :	SUBMITTAL APPROVAL : (signature or stamp)			

Scan or Click



To view Pricing and Additional Product Info.

TELEPHONE:
1-888-457-1275
FAX:
1-888-626-2907



PO BOX 66738 #76520,
SAINT LOUIS, MO
63166-6738
USA

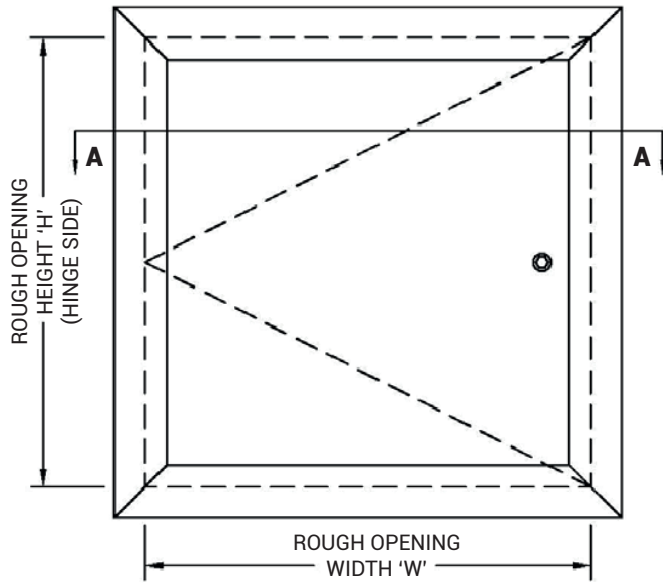


WEBSITE:
www.AccessDoorsAndPanels.com
E-MAIL:
info@AccessDoorsAndPanels.com



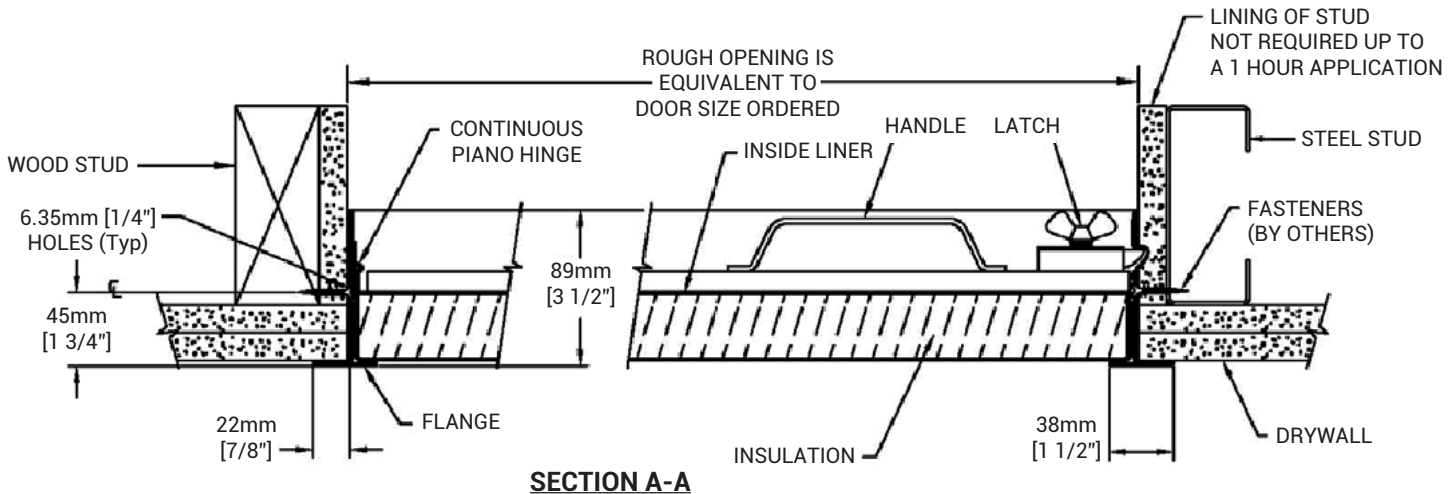
BIU

UPWARD OPENING ACCESS DOOR



NOTES:

- MATERIAL** - SATIN FINISH GALVANIZED (GALVANNEALED) STEEL.
- PANEL** - 1.31mm (18 ga.), SELF CLOSING C/W INSIDE LIFTING HANDLE.
- LINER** - 0.85mm (22 ga.)
- FRAME** - 1.61mm (16 ga.)
- FLANGE** - 22mm (7/8") EXTERIOR FLANGE. 38mm (1 1/2") OVERALL WIDTH.
- HINGE** - CONTINUOUS PIANO HINGE.
- PANEL CLOSER** - THE DESIGN OF THE UNIT ALLOWS THE DOOR PANEL TO BE SELF-CLOSING BY GRAVITY.
- LATCH** - 1/4" ALLEN KEY, WITH INTERIOR RELEASE
- INSULATION** - 63mm [2 1/2"] HIGH TEMPERATURE
- FINISH** - RUST INHIBITIVE PRIME COAT (OFF-WHITE).



SECTION A-A

STANDARD SIZES
single leaf construction for ceilings only

- OPTIONS:** * - DENOTES ADDITIONAL COST.
- * ■ - OPTIONAL MATERIAL - 304 STAINLESS STEEL WITH A NO. 4 POLISHED FINISH ON THE EXTERIOR SURFACE
 - - ALLEN KEY
 - - RAISED KNURLED KNOB.
 - * ■ - NON-LOCKING HANDLE.
 - * ■ - 1 1/8" MORTISE PREP ONLY.
 - * ■ - 1 1/8" MORTISE PREP COMPLETE WITH MORTISE CYLINDER.

QTY	Rough Opening Size WxH		QTY of Latches or Locks	Weight in KGs.	Weight in lbs.
	Metric (mm)	Inches			
	610 x 1219	24 x 48	1	27.66	61.00
	762 x 762	30 x 30	1	21.31	47.00
	762 x 914	30 x 36	1	24.94	55.00
	762 x 1219	30 x 48	1	31.97	70.50
	813 x 813	32 x 32	1	24.04	53.00
	914 x 914	36 x 36	1	29.48	65.00

NET OPENING = WIDTH MINUS 83mm [3 1/4"]
HEIGHT MINUS 39mm [1 1/2"]

* **BOLD VALUES ARE HINGE SIDE**