

SUBMITTAL/TECHNICAL DATA SHEET



DESCRIPTION

The Gasketed Access Door is an all purpose access door that provides reduced sound transmission and minimizes air filtration.

FEATURES

- EPDM Gasket reduces sound transmission and maintains air filtration
- Custom Sizing
- Easy installation and operation

SPECIFICATIONS

MODEL: BGT/BGW

DOOR: 16 gauge Steel

FRAME: 16 gauge Steel or 16 gauge Type 304 Stainless Steel

SIZE:
Minimum: 6 inches by 6 inches
Maximum: 36 inches by 72 inches or 48 inches by 48 inches

INSTALLATION: Walls or Ceilings

FLANGE: 1 1/4" inch exposed or Drywall Bead

HINGE: Concealed pin

GASKET: EPDM

LATCH: Screwdriver Cam Latch, Key Operated Cam Latch, or Mortise Lock (1-1/8 inch) Prep

FINISH: White Powder Coat (steel) or #4 Satin (stainless steel)

WARRANTY: 1 year

For a complete list of options visit www.AccessDoorsAndPanels.com



SKU: **BGT**

GASKETED ACCESS DOOR



DIMENSIONS AND APPEARANCE

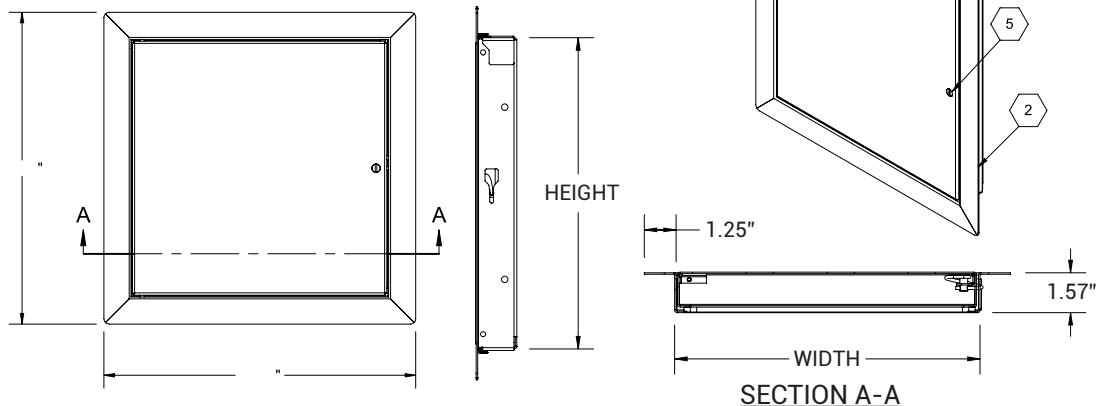
>> [CLICK TO VIEW ADDITIONAL DETAILS AND PRICING <<](#)

ORDER GUIDE:

BASE	FLANGE	LATCH	WIDTH	X	LENGTH	OPTIONS
G			STANDARD SIZES (W XL)			
	T - 1 1/4 inch Flange	C - Screwdriver Cam	6" X 6"	16" X 20"	24" X 36"	B - Galvannealed
	W - Drywall Bead	L - Keyed Cam Lock	8" X 8"	18" X 18"	24" X 48"	
		P - Pinned Hex Cam	10" X 10"	18" X 24"	30" X 30"	S - Type 304 Stainless Steel
		M - Mortise Lock (1-1/8") Prep	12" X 12"	20" X 30"	30" X 36"	
			12" X 18"	22" X 22"	32" X 32"	
			12" X 24"	22" X 30"	36" X 36"	
			14" X 14"	24" X 24"		
			16" X 16"	24" X 30"		

Rough opening is door size + 1/4 inches.
Additional sizes available, call for more information.
Lead Time Average is 1-10 Days. Delivery time is additional.

For Detailed Specifications See Submittal Sheet



PROJECT DATA

Custom Sizes Available - Fast!

PROJECT NAME :	QTY	W	H	OPTIONS
ARCHITECT :				
DEALER :				
CONTRACTOR :				
LOCATION :	SPECIAL INSTRUCTIONS :			
DATE :	SUBMITTAL APPROVAL : (signature or stamp)			
TAGGING INSTRUCTIONS :				

Scan or Click



To view Pricing and Additional Product Info.

TELEPHONE:
1-888-457-1275
FAX:
1-888-626-2907



PO BOX 66738 #76520,
SAINT LOUIS, MO
63166-6738
USA

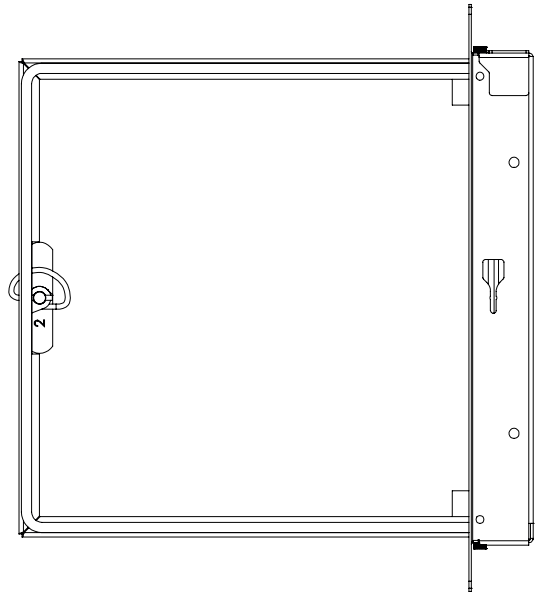
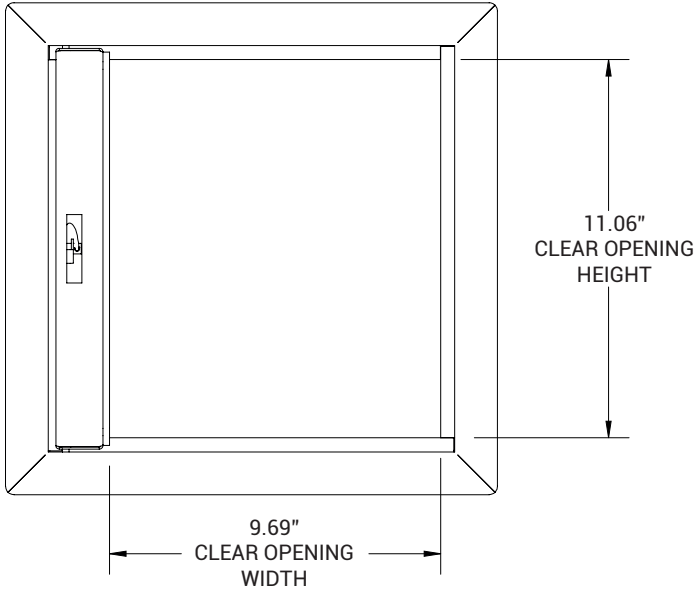


WEBSITE:
www.AccessDoorsAndPanels.com
E-MAIL:
info@AccessDoorsAndPanels.com



BGT

GASKETED ACCESS DOOR



SPECIFICATIONS:

- ① DOOR : 16ga steel
- ② FRAME : 16 ga steel, 1.25 in. Flange
- ③ FINISH : White pwd
- ④ HINGE : Concealed Pin Hinge
- ⑤ LATCH :
- ⑥ GASKET : Continuous, EPDM

OPTIONS:

- Galvannealed
- Type 304 Stainless Steel

ROUGH OPENING: 12.25" X 12.25"

CLEAR OPENING: 9.69" X 11.06"

DEGREE OF OPENING: 120°

