

# SUBMITTAL/TECHNICAL DATA SHEET



## DESCRIPTION

The Drainable Floor Door is intended for standard-duty exterior or high moisture areas where liquid flow is required. The frame is constructed with a gutter channel for runoff into a drainage system and includes an EPDM gasket.

## FEATURES

- Pedestrian Load
- Diamond Tread Plate
- Integral EPDM Gasket
- Coupled Spring Housing and Stiffner
- Cast or Bolt-In Installation

## SPECIFICATIONS

LOAD: 300psf live load

DOOR: Single or Double Leaf

### MATERIAL:

- Aluminum: 1/4 inch, mill finish, gray primer on exterior frame (for cast-in only)
- Steel: 3/16 inch, mill finish
- Stainless Steel: 3/16 inch, Type 304 or Type 316, bead blasted

COVER: Diamond tread plate.

INSULATION: Cast-In or Bolt-In.

SPRING: Enclosed coil, Type 17-7 Stainless Steel.

HINGE: Heavy-duty Type 316 Stainless Steel.

HOLD OPEN ARM: Type 316 Stainless Steel automatic hold open arm locks cover in open position.

LATCH: Slam latch Type 316 Stainless Steel with inside lever handle, includes removable threaded plug and key.

OPTIONS: Padlock Hasps, Locks, Finishes, Safety Grates, Safety Nets, Safety Rails, Skirting.

WARRANTY: 5 year

For a complete list of options visit [www.AccessDoorsAndPanels.com](http://www.AccessDoorsAndPanels.com)

SKU: **BFDDP**

## DRAINABLE DIAMOND TREAD FLOOR DOOR



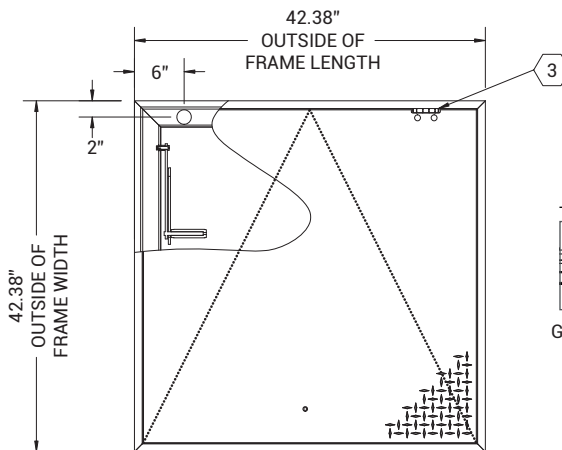
## DIMENSIONS AND APPEARANCE

>> CLICK TO VIEW ADDITIONAL DETAILS AND PRICING <<

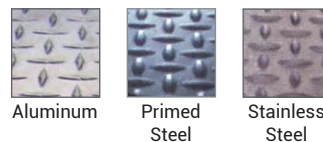
### ORDER GUIDE:

BASE	MATERIAL	WIDTH	X	LENGTH	COVER	INSTALL
BFDDP						-
	A - 1/4" Aluminum	STANDARD SIZES (W XL)			S - SINGLE WALL D - DOUBLE WALL	FL - ALUMINUM
	P - 3/16" Steel	SINGLE	DOUBLE			WL - STEEL OR STAINLESS STEEL
	V - 3/16" Stainless Steel, Type 304	24" X 24"	48" X 48"			
	S - 3/16" Stainless Steel, Type 304	30" X 36"	48" X 72"			
		36" X 36"	60" X 60"			

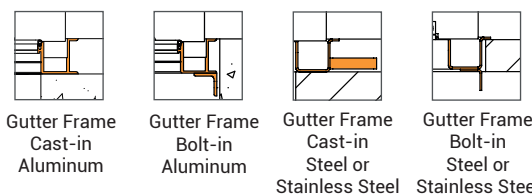
Additional sizes and options available, call for more information.



### MATERIALS



### FRAME



For Detailed Specifications See Submittal Sheet

## PROJECT DATA

Custom Sizes Available - Fast!

PROJECT NAME :	QTY	W	H	OPTIONS
ARCHITECT :				
DEALER :				
CONTRACTOR :				
LOCATION :	SPECIAL INSTRUCTIONS :			
DATE :	SUBMITTAL APPROVAL : (signature or stamp)			
TAGGING INSTRUCTIONS :				

Scan or Click



To view Pricing and Additional Product Info.

TELEPHONE:  
1-888-457-1275  
FAX:  
1-888-626-2907

PO BOX 66738 #76520,  
SAINT LOUIS, MO  
63166-6738  
USA



WEBSITE:  
[www.AccessDoorsAndPanels.com](http://www.AccessDoorsAndPanels.com)  
E-MAIL:  
[info@AccessDoorsAndPanels.com](mailto:info@AccessDoorsAndPanels.com)

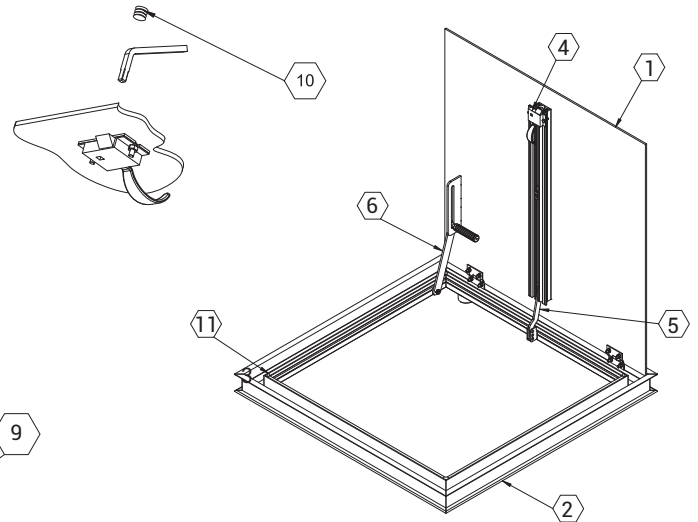


# BFDDP

# 300PSF DRAINABLE DIAMOND TREAD FLOOR DOOR

**SPECIFICATIONS:**

- ① DOOR: ALUMINUM, 1/4" DIAMOND PLATE, MILL FINISH WITH A LIVE LOAD OF 300 PSF AND MAX SPAN DEFLECTION OF L/150.
- ② FRAME: ALUMINUM, 1/4" EXTRUSION, GRAY PRIMER FINISH ON EXTERIOR SURFACES THAT COME IN CONTACT WITH CONCRETE.
- ③ HINGES: TYPE 316 STAINLESS STEEL.
- ④ SLAM LATCH: TYPE 316 STAINLESS STEEL WITH INSIDE LEVER HANDLE AND OUTSIDE REMOVABLE 5/16" SQUARE L HANDLE.
- ⑤ COUNTER-BALANCE SPRING: ENCLOSED 17-7 STAINLESS STEEL SPRING.
- ⑥ HOLD OPEN ARM: TYPE 316 STAINLESS STEEL WITH RED VINYL GRIP HANDLE.
- ⑨ DRAINAGE COUPLING: 1-1/2".
- ⑩ FLUSH TYPE PLUG SEAL: TYPE 316 STAINLESS STEEL.
- ⑪ GASKET: EPDM AIR TIGHT GASKET.



DOOR SIZE: 36" (WIDTH) x 36" (LENGTH).

