

SUBMITTAL/TECHNICAL DATA SHEET



DESCRIPTION

Draft Stop Door is a non-rated access door designed to provide access through wall openings in the attics where draft stop conditions are needed. This self-closing and self-latching access door allows for access from both sides of the door.

FEATURES

- Wall Installation
- Self-Closing
- Custom Sizing

SPECIFICATIONS

MODEL: BDT/BDW/BDP

DOOR: 14 gauge Steel (self-closing)

FRAME: 16 gauge Steel

SIZE: Min: 6 inches by 6 inches
 Max:
 • BDT: 24 inches by 72 inches, 36 inches by 60 inches or 48 inches by 48 inches
 • BDW/BDP: 36 inches by 48 inches

INSTALLATION: Wall

FLANGE: 1 inch Exposed or Drywall Bead

HINGE:
 • BDT: Flush Continuous Piano
 • BDW/BDP: Concealed Pin

FINISH: White Powder Coat

OPTIONS: Flanges, Latches, Materials, Gaskets, Anchors

WARRANTY: 1 year

For a complete list of options visit www.AccessDoorsAndPanels.com



SKU: **BDP**
DRAFT STOP ACCESS DOOR

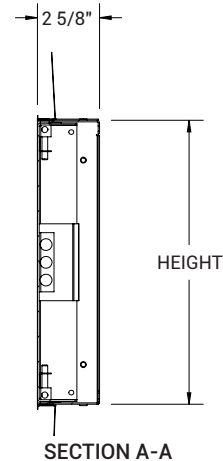
DIMENSIONS AND APPEARANCE

>> CLICK TO VIEW ADDITIONAL DETAILS AND PRICING <<

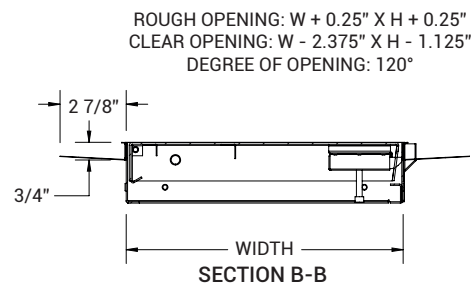
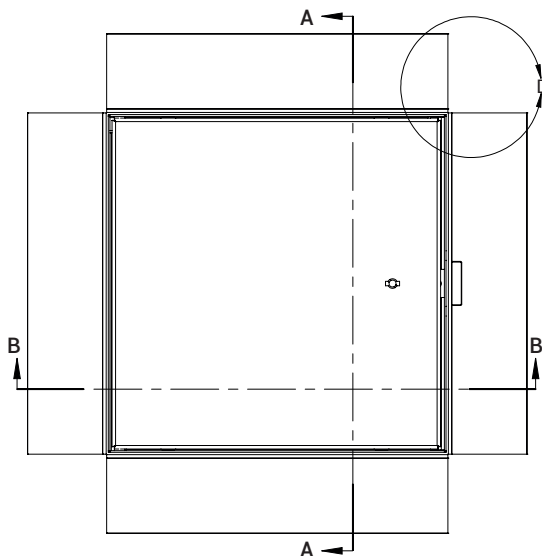
ORDER GUIDE:

| BASE | FLANGE | LATCH | WIDTH | X | LENGTH | OPTIONS |
|------|-----------------|--|------------------------|-----------|-----------|----------------------------|
| BD | | | | | | |
| | T 1 inch Flange | K Knurled Knob/ Key Operated Latch Bolt | STANDARD SIZES (W X L) | | | B Galvannealed |
| | W Drywall Bead | M Mortise Lock (1-1/8") Prep | 22" X 36" | 30" X 30" | 30" X 36" | G Gasketing |
| | P Plaster Bead | | 24" X 48" | 36" X 36" | 36" X 36" | S Type 304 Stainless Steel |
| | | | 24" X 60" | 36" X 48" | | |

For Detailed Specifications See Submittal Sheet



DETAIL D
 PLASTER BEAD DETAIL
 SCALE 1 : 4



ROUGH OPENING: W + 0.25" X H + 0.25"
 CLEAR OPENING: W - 2.375" X H - 1.125"
 DEGREE OF OPENING: 120°

PROJECT DATA

Custom Sizes Available - Fast!

| | | | | |
|------------------------|--|---|---|---------|
| PROJECT NAME : | QTY | W | H | OPTIONS |
| ARCHITECT : | | | | |
| DEALER : | | | | |
| CONTRACTOR : | | | | |
| LOCATION : | SPECIAL INSTRUCTIONS : | | | |
| DATE : | SUBMITTAL APPROVAL : (signature or stamp) | | | |
| TAGGING INSTRUCTIONS : | | | | |

Scan or Click



To view Pricing and Additional Product Info.

TELEPHONE:
 1-888-457-1275
 FAX:
 1-888-626-2907



PO BOX 66738 #76520,
 SAINT LOUIS, MO
 63166-6738
 USA

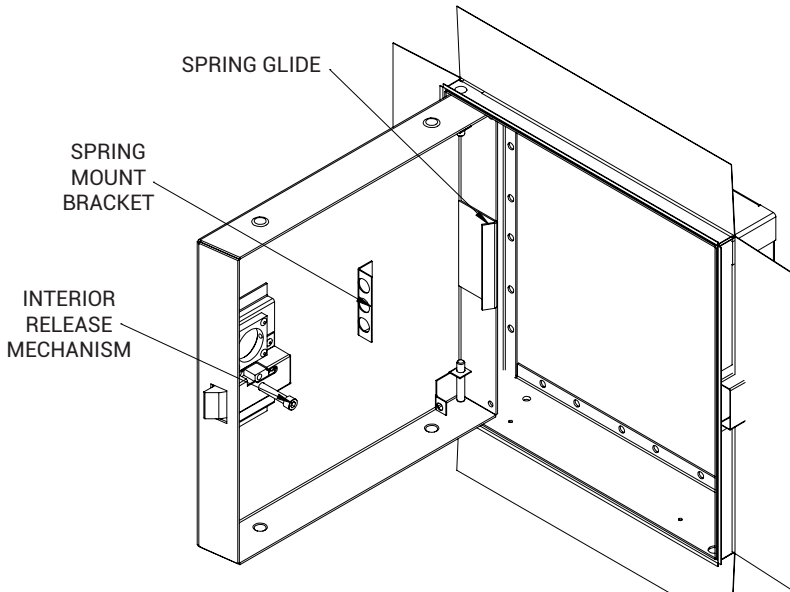


WEBSITE:
www.AccessDoorsAndPanels.com
 E-MAIL:
info@AccessDoorsAndPanels.com



BDP

DRAFT STOP ACCESS DOOR



NOTES:

- ① FRAME:
- ② DOOR: Cold Rolled Steel, 14GA
- ③ FINISH: White Powder Coat
- ④ HINGE:
- ⑤ SECONDARY LATCH: Varies
- ⑥ LOCK: Knurled Knob/Keyed Slam Latch

OPTIONS:

- Gasket Installed (G)
- Masonry Anchors (M)

ROUGH OPENING: W + 0.25" x H + 0.25"
CLEAR OPENING: W - 2.375" x H - 1.125"
DEGREE OF OPENING: 125°

