



Quality Access Doors- FAST!

SUBMITTAL/TECHNICAL DATA SHEET

www.AccessDoorsAndPanels.com

APPLICATION

Indoor or Outdoor applications where dirt and water are prevented from falling into work area. Drainage is provided through threaded coupling in channel

FEATURES

- Channel frame construction with 1 1/2" drainage coupling and integral anchor flange is designed to be cast into concrete
- Diamond plate door panel is equipped with a flush aluminum drop handle and an automatic hold open arm

SPECIFICATIONS

MATERIAL: Aluminum door and frame; stainless steel hinges and hardware

DOOR: 1/4" aluminum diamond plate reinforced for live load of 300 lb/sq. ft.

FRAME: Angle frame from aluminum extrusion with an integral 1" anchor flange

HINGE: Stainless steel butt hinges with tamperproof stainless steel bolts and nuts

OPENING DEVICE: Automatic hold open arm with red vinyl grip allows door panel to open to 90 degrees, locking door in open position, and allowing for easy control when closing door panel. When required, stainless steel compression springs can be provided to add lift assistance. Available with electrical actuators, operated by wall mounted push button switch, and remote control

STANDARD LATCH: Flush aluminum drop handle with staple for padlock. Also available: Recessed padlock provision: st/stl Slamlock

FINISH: Mill finish, with optional bituminous coating on exterior of frame

For a complete list of options visit www.AccessDoorsAndPanels.com

SKU: **BA-WTFD**

WATERTIGHT FLOOR HATCH

CAST IN PLACE 300LB/SQFT



DIMENSIONS AND APPEARANCE

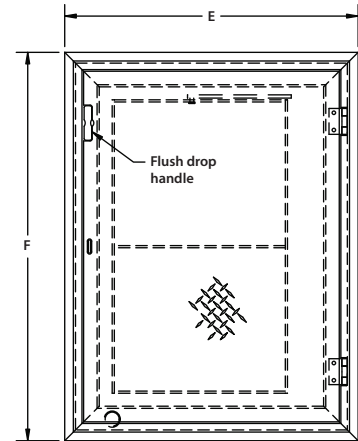
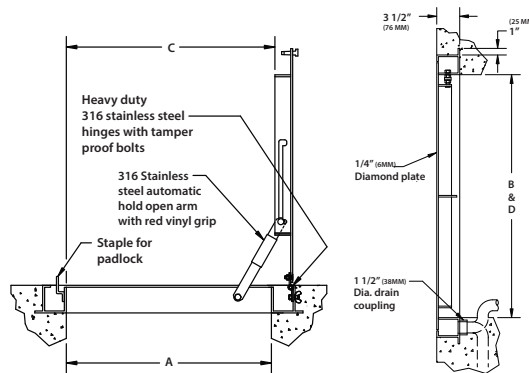
>> CLICK TO VIEW ADDITIONAL DETAILS AND PRICING <<

| DOOR SIZE W x H INCHES (MM) | WEIGHT | |
|--------------------------------|--------|-----|
| | LBS | KG |
| 24 x 24 (610 x 610) | 60 | 27 |
| 24 x 30 (610 x 762) | 69 | 31 |
| 30 x 30 (762 x 762) | 79 | 36 |
| 30 x 36 (610 x 914) | 88 | 40 |
| 36 x 36 (914 x 914) | 99 | 45 |
| 36 x 48 (914 x 1219) | 121 | 55 |
| 42 x 42 (1067 x 1067) | 123 | 56 |
| *48 x 48 (1219 x 1219) | 158 | 72 |
| *48 x 72 (1219 x 1829) | 215 | 98 |
| *60 x 60 (1524 x 1524) | 223 | 101 |

* DOUBLE LEAF

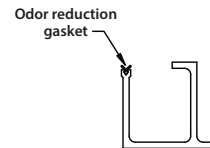
For detailed specifications see submittal sheet

MANUFACTURED BY ACUDOR



NOTES:

- MATERIAL: ALUMINUM WITH 316 STAINLESS STEEL NUTS & BOLTS, HINGES AND HOLD OPEN ARM.
- LOADING: 300 LBS. PER SQ. FOOT. (1464 KG. PER SQ. M)



1/4" Extruded trough section W/integral continuous anchor flange & groove for gasket frame MAT'L: aluminum 6063-T5

| OPTIONAL FEATURES |
|--|
| <input type="checkbox"/> S.S. HORIZONTAL SPRINGS |
| <input type="checkbox"/> S.S. SLAMLOCK |
| <input type="checkbox"/> BITUMINOUS PAINT ON AREA IN CONTACT WITH CONCRETE |
| <input type="checkbox"/> OTHERS: _____ |

PROJECT DATA

Custom Sizes Available - Fast!

Scan or Click



To view Pricing and Additional Product Info.

| | | | | |
|------------------------|---|---|---|---------|
| PROJECT NAME : | QTY | W | H | OPTIONS |
| ARCHITECT : | | | | |
| DEALER : | | | | |
| CONTRACTOR : | | | | |
| LOCATION : | SPECIAL INSTRUCTIONS : | | | |
| DATE : | SUBMITTAL APPROVAL : (signature or stamp) | | | |
| TAGGING INSTRUCTIONS : | | | | |

TELEPHONE:
1-888-457-1275
FAX:
1-888-626-2907



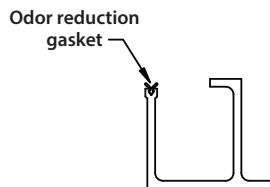
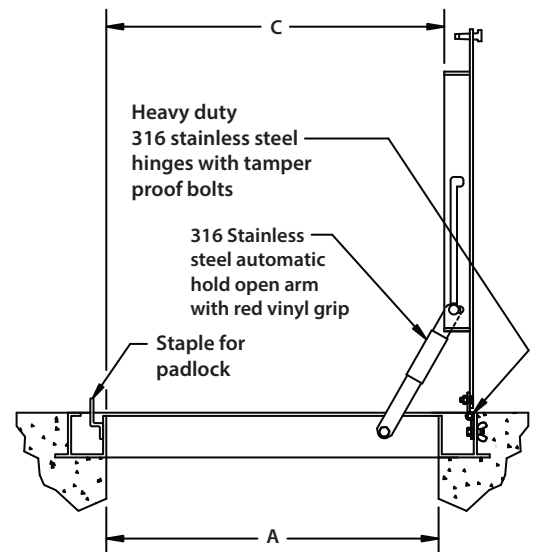
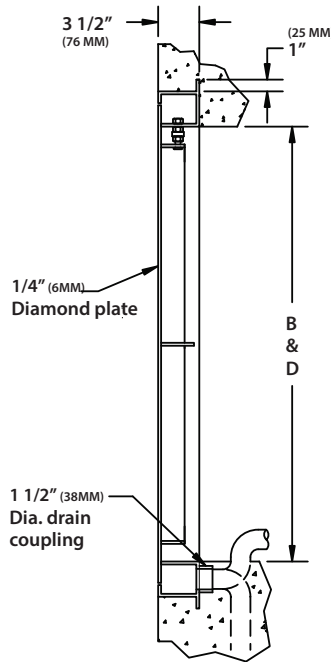
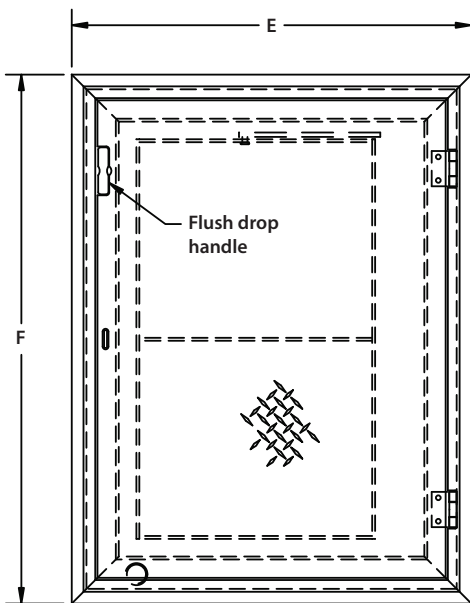
PO BOX 66738 #76520,
SAINT LOUIS, MO
63166-6738
USA



WEBSITE:
www.AccessDoorsAndPanels.com
E-MAIL:
info@AccessDoorsAndPanels.com

BA-WTFD WATERTIGHT FLOOR HATCH CAST IN PLACE 300LB/SQFT - SINGLE LEAF

| NOMINAL DOOR SIZE | FRAME OPENING | | CLEAR OPENING | | OVERALL SIZE | | WEIGHT |
|-----------------------|---------------|------------|---------------|------------|--------------|------------|------------|
| | in. (mm) | A in. (mm) | B in. (mm) | C in. (mm) | D in. (mm) | E in. (mm) | F in. (mm) |
| 24 x 24 (610 x 610) | 24 (610) | 24 (610) | 24 (610) | 24 (610) | 32 (813) | 32 (813) | 60 (27) |
| 24 x 30 (610 x 762) | 24 (610) | 30 (762) | 24 (610) | 30 (762) | 32 (813) | 38 (965) | 69 (31) |
| 30 x 30 (762 x 762) | 30 (762) | 30 (762) | 29 (737) | 30 (762) | 38 (965) | 38 (965) | 79 (36) |
| 30 x 36 (762 x 914) | 30 (762) | 36 (914) | 29 (737) | 36 (914) | 38 (965) | 44 (1118) | 88 (40) |
| 36 x 36 (914 x 914) | 36 (914) | 36 (914) | 35 (889) | 36 (914) | 44 (1118) | 44 (1118) | 99 (45) |
| 36 x 48 (914 x 1219) | 36 (914) | 48 (1219) | 35 (889) | 48 (1219) | 44 (1118) | 56 (1422) | 121 (55) |
| 42 x 42 (1067 x 1067) | 42 (1067) | 42 (1067) | 41 (1041) | 42 (1067) | 50 (1270) | 50 (1270) | 123 (56) |



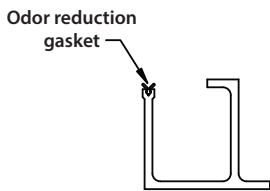
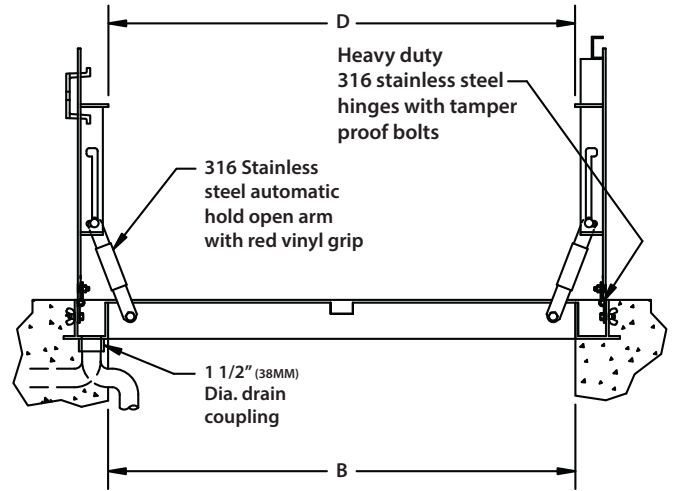
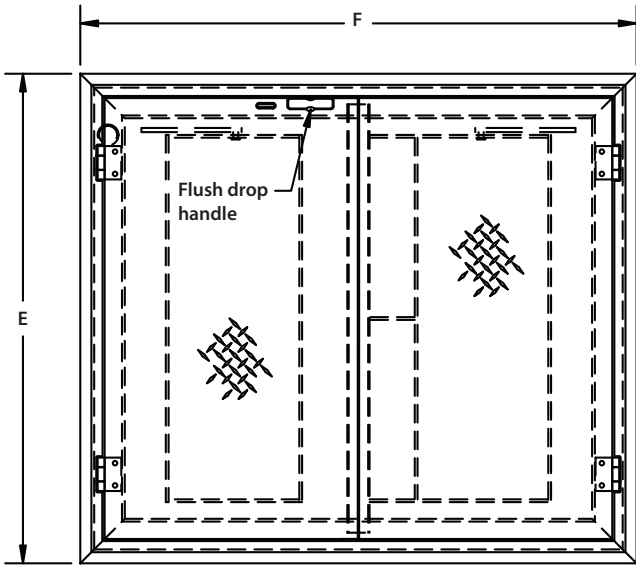
1/4" Extruded trough section W/integral continuous anchor flange & groove for gasket frame MAT'L: aluminum 6063-TS

- NOTES:
- MATERIAL: ALUMINUM WITH 316 STAINLESS STEEL NUTS & BOLTS, HINGES AND HOLD OPEN ARM.
 - LOADING: 300 LBS. PER SQ. FOOT. (1464 KG. PER SQ. M)

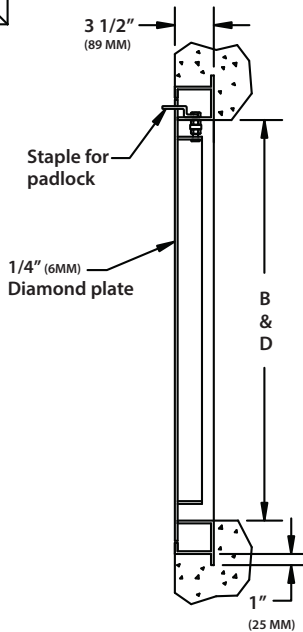
| OPTIONAL FEATURES | |
|--------------------------|---|
| <input type="checkbox"/> | S.S. HORIZONTAL SPRINGS |
| <input type="checkbox"/> | S.S. SLAMLOCK |
| <input type="checkbox"/> | BITUMINOUS PAINT ON AREA IN CONTACT WITH CONCRETE |
| <input type="checkbox"/> | OTHERS: _____ |

BA-WTFD WATERTIGHT FLOOR HATCH CAST IN PLACE 300LB/SQFT - DOUBLE LEAF

| NOMINAL DOOR SIZE | FRAME OPENING | | CLEAR OPENING | | OVERALL SIZE | | WEIGHT |
|-----------------------|---------------|------------|---------------|------------|--------------|------------|-----------|
| in. (mm) | A in. (mm) | B in. (mm) | C in. (mm) | D in. (mm) | E in. (mm) | F in. (mm) | LBS. (KG) |
| 48 x 48 (1219 x 1219) | 48 (1219) | 48 (1219) | 48 (1219) | 45 (1143) | 56 (1422) | 56 (1422) | 158 (72) |
| 48 x 72 (1219 x 1829) | 48 (1219) | 72 (1829) | 48 (1219) | 70 (1778) | 56 (1422) | 80 (2032) | 215 (98) |
| 60 x 60 (1524 x 1524) | 60 (1524) | 60 (1524) | 60 (1524) | 58 (1473) | 68 (1727) | 68 (1727) | 223 (101) |



1/4" Extruded trough section W/integral continuous anchor flange & groove for gasket frame MAT'L: aluminum 6063-TS



- NOTES:
- MATERIAL: ALUMINUM WITH 316 STAINLESS STEEL NUTS & BOLTS, HINGES AND HOLD OPEN ARM.
 - LOADING: 300 LBS. PER SQ. FOOT. (1464 KG. PER SQ. M)

| OPTIONAL FEATURES |
|--|
| <input type="checkbox"/> S.S. HORIZONTAL SPRINGS |
| <input type="checkbox"/> S.S. SLAMLOCK |
| <input type="checkbox"/> BITUMINOUS PAINT ON AREA IN CONTACT WITH CONCRETE |
| <input type="checkbox"/> OTHERS: _____ |

MANUFACTURED BY ACUDOR