



Quality Access Doors- FAST!

SUBMITTAL/TECHNICAL DATA SHEET

www.AccessDoorsAndPanels.com

APPLICATION

Designed for interior and exterior applications that require an access opening that will blend in with the surrounding floor material

FEATURES

- Recessed 1" to accommodate ceramic tile/concrete
- To keep the floor material from cracking or chipping within the door panel, the security screws are located in the flange of the mounting frame

SPECIFICATIONS

MATERIAL: Aluminum

DOOR: 1/4" smooth aluminum plate reinforced for live loads of 150 pounds/sq.ft. / recessed 1" for ceramic tile/concrete

FRAME: 1-1/2" x 1-1/4" aluminum angle with mounting holes in top flange

STANDARD LATCH: Door panel is secured to frame with 1/4" x 1" flat head screws

FINISH: Mill finish

For a complete list of options visit www.AccessDoorsAndPanels.com

SKU: **BA-RRFD-C1**

**FLOOR DOOR NON HINGED
PANEL RECESSED 1"**

FOR CERAMIC TILE/CONCRETE



DIMENSIONS AND APPEARANCE

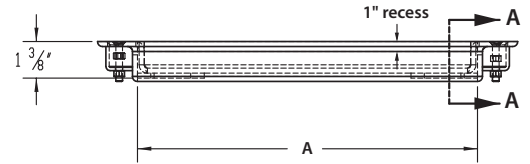
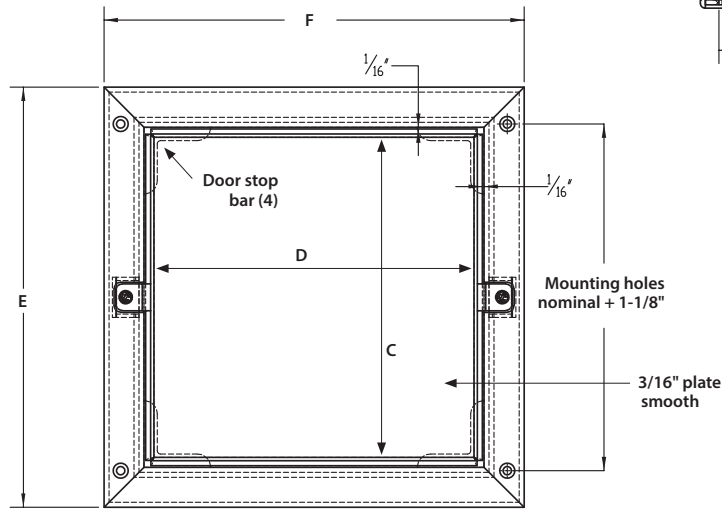
>> CLICK TO VIEW ADDITIONAL DETAILS AND PRICING <<

STANDARD SIZES:

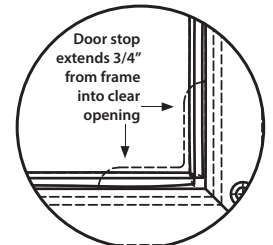
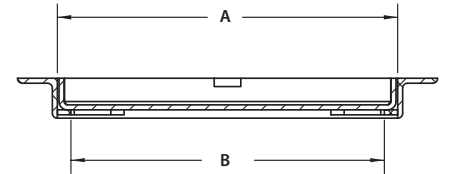
| DOOR SIZE W x H INCHES (MM) | WEIGHT | |
|--------------------------------|--------|------|
| | LBS | KG |
| 8 x 8 (203 x 203) | 6 | 2.7 |
| 12 x 12 (305 x 305) | 9 | 4.1 |
| 18 x 18 (457 x 457) | 18 | 8.2 |
| 24 x 24 (610 x 610) | 36 | 16.3 |

For detailed specifications see submittal sheet

MANUFACTURED BY ACUDOR



SECTION A-A



DOOR STOP DETAIL

NOTES:

- MATERIAL: ALUMINUM
- LOADING: 150 LBS. PER SQ. FT.
- 316 STAINLESS STEEL NUTS & BOLTS

PROJECT DATA

Custom Sizes Available - Fast!

Scan or Click



To view Pricing and Additional Product Info.

| | | | | |
|------------------------|--|---|---|---------|
| PROJECT NAME : | QTY | W | H | OPTIONS |
| ARCHITECT : | | | | |
| DEALER : | | | | |
| CONTRACTOR : | | | | |
| LOCATION : | SPECIAL INSTRUCTIONS : | | | |
| DATE : | SUBMITTAL APPROVAL : (signature or stamp) | | | |
| TAGGING INSTRUCTIONS : | | | | |

TELEPHONE:
1-888-457-1275
FAX:
1-888-626-2907



PO BOX 66738 #76520,
SAINT LOUIS, MO
63166-6738
USA

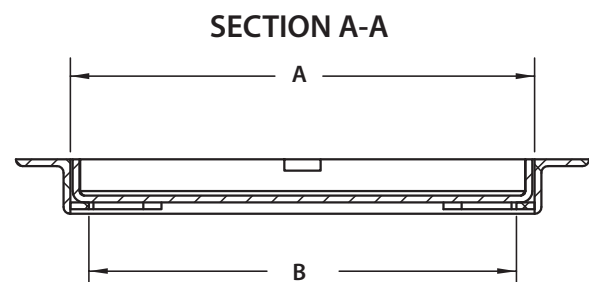
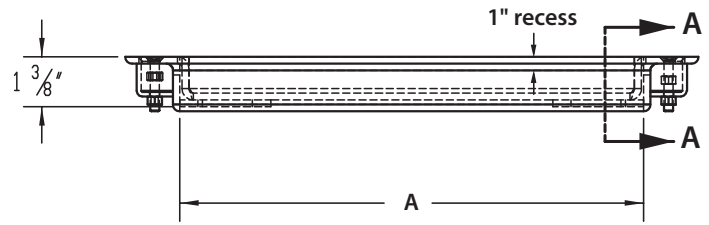
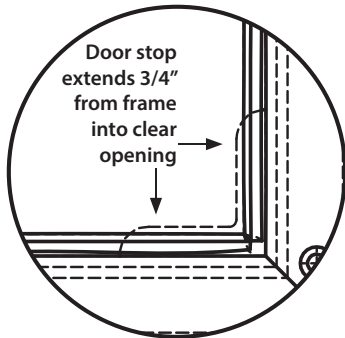
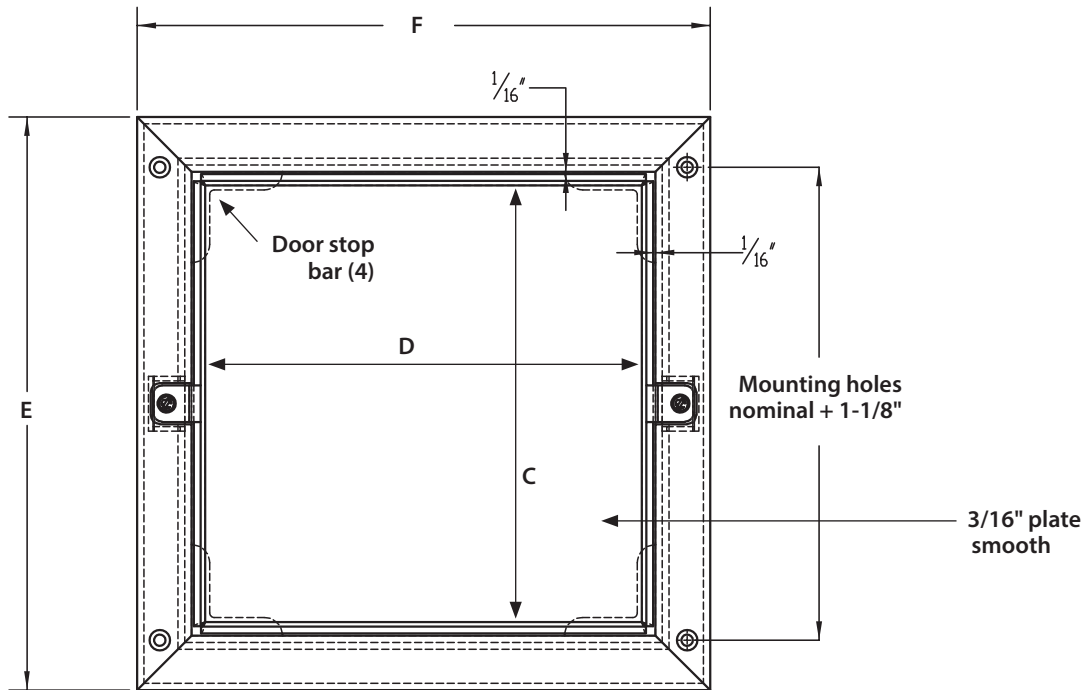


WEBSITE:
www.AccessDoorsAndPanels.com
E-MAIL:
info@AccessDoorsAndPanels.com

BA-RRFD-C1

NON-HINGED PANEL RECESSED 1" FOR CERAMIC TILE/CONCRETE

| NOMINAL DOOR SIZE | FRAME OPENING | | RECEIVING AREA | | OVERALL SIZE | | WEIGHT |
|-------------------|---------------|--------------|----------------|--------------|--------------|--------------|------------|
| | in. (mm) | A in. (mm) | B in. (mm) | C in. (mm) | D in. (mm) | E in. (mm) | F in. (mm) |
| 8 x 8 | 8.750 (222) | 7.750 (222) | 8.125 (206) | 8.125 (206) | 11.750 (298) | 11.750 (298) | 5 (2.2) |
| 12 x 12 | 12.750 (324) | 11.750 (324) | 12.125 (308) | 12.125 (308) | 15.750 (476) | 15.750 (476) | 7 (3.2) |
| 18 x 18 | 18.750 (476) | 17.750 (476) | 18.125 (460) | 18.125 (460) | 21.750 (552) | 21.750 (552) | 15 (6.8) |
| 24 x 24 | 24.750 (629) | 23.750 (629) | 24.125 (613) | 24.125 (613) | 27.750 (705) | 27.750 (705) | 36 (16.3) |



- NOTES:
- MATERIAL: ALUMINUM
 - LOADING: 150 LBS. PER SQ. FT.
 - 316 STAINLESS STEEL NUTS & BOLTS