



Quality Access Doors- FAST!

SUBMITTAL/TECHNICAL DATA SHEET

www.AccessDoorsAndPanels.com

APPLICATION

Designed for interior and exterior applications that require an access opening that will blend in with the surrounding floor material

FEATURES

- Flush Diamond Plate door panel
- Door panel removable via screws

SPECIFICATIONS

MATERIAL: Aluminum

DOOR: 1/4" aluminum diamond plate reinforced for the live load of 150 lb/per sq. ft.

FRAME: 1" x 1" aluminum angle designed to be cast into concrete

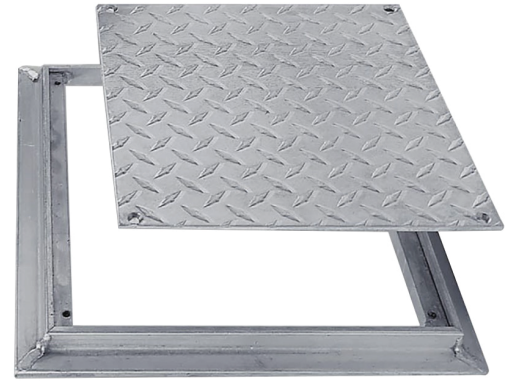
STANDARD LATCH: Door panel is secured to frame with 1/4" x 1" flat head screws

FINISH: Mill finish

SKU: **BA-RFD**

FLOOR DOOR

NON HINGED, FLUSH DIAMOND PLATE



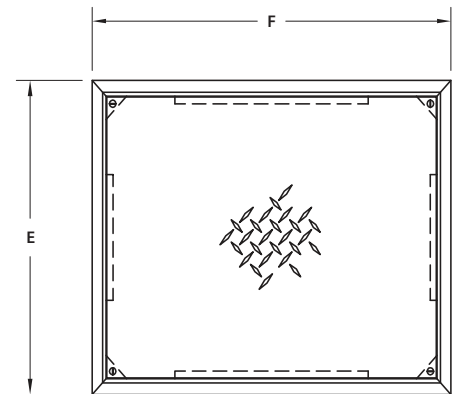
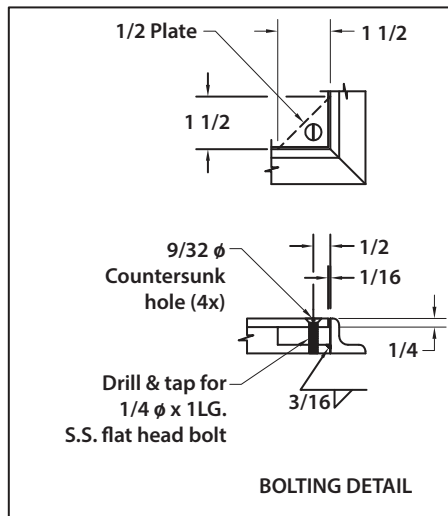
DIMENSIONS AND APPEARANCE

>> [CLICK TO VIEW ADDITIONAL DETAILS AND PRICING](#) <<

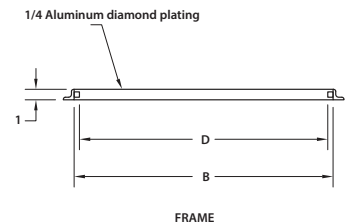
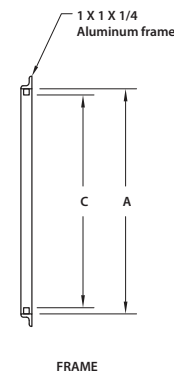
DOOR SIZE W x H INCHES (MM)	WEIGHT	
	LBS	KG
8 x 8 (203 x 203)	5	2.0
12 x 12 (305 x 305)	7	3.0
18 x 18 (457 x 457)	13	6.0
24 x 24 (610 x 610)	20	9.0

For detailed specifications see submittal sheet

MANUFACTURED BY ACUDOR



COVER & FRAME



NOTES:

- MATERIAL: ALUMINUM
- LOADING: 150 LBS. PER SQ. FT.
- 316 STAINLESS STEEL NUTS & BOLTS

For a complete list of options visit www.AccessDoorsAndPanels.com

PROJECT DATA

Custom Sizes Available - Fast!

Scan or Click



To view Pricing and Additional Product Info.

PROJECT NAME :	QTY	W	H	OPTIONS
ARCHITECT :				
DEALER :				
CONTRACTOR :				
LOCATION :	SPECIAL INSTRUCTIONS :			
DATE :	SUBMITTAL APPROVAL : (signature or stamp)			
TAGGING INSTRUCTIONS :				

TELEPHONE:
1-888-457-1275
FAX:
1-888-626-2907



PO BOX 66738 #76520,
SAINT LOUIS, MO
63166-6738
USA

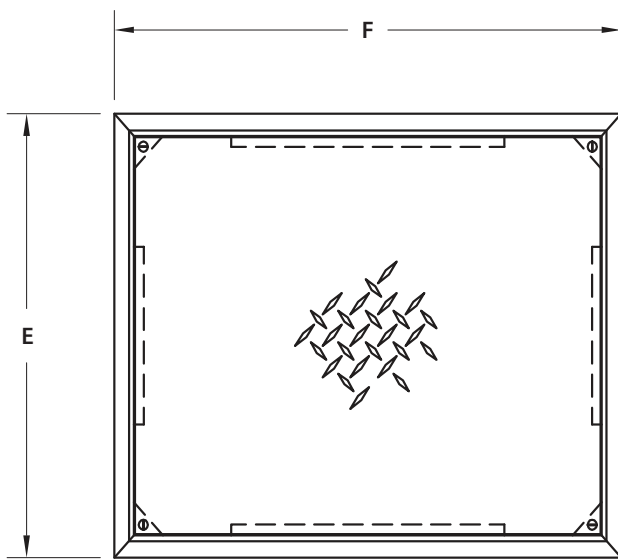


WEBSITE:
www.AccessDoorsAndPanels.com
E-MAIL:
info@AccessDoorsAndPanels.com

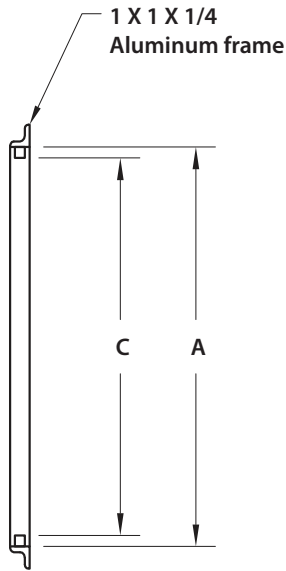
BA-RFD

NON-HINGED, FLUSH DIAMOND PLATE FLOOR DOOR

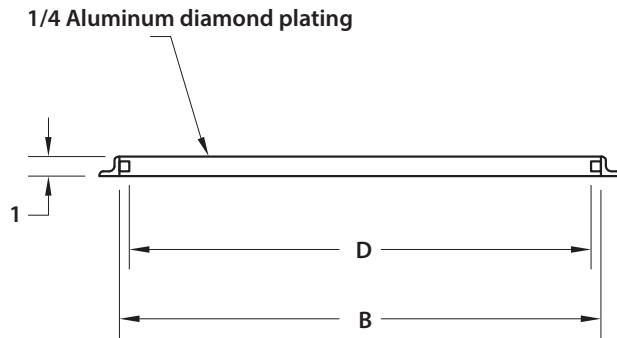
NOMINAL DOOR SIZE	FRAME OPENING		CLEAR OPENING		OVERALL SIZE		WEIGHT
	in. (mm)	A in. (mm)	B in. (mm)	C in. (mm)	D in. (mm)	E in. (mm)	F in. (mm)
8 x 8	8 (203)	8 (203)	7 (178)	7 (178)	10 (254)	10 (254)	4 (2)
12 x 12	12 (305)	12 (305)	22 (584)	22 (584)	14 (356)	14 (356)	6 (3)
18 x 18	18 (457)	18 (457)	22 (584)	22 (584)	20 (508)	20 (508)	12 (6)
24 x 24	24 (610)	24 (610)	28 (737)	28 (737)	26 (660)	26 (660)	24 (11)



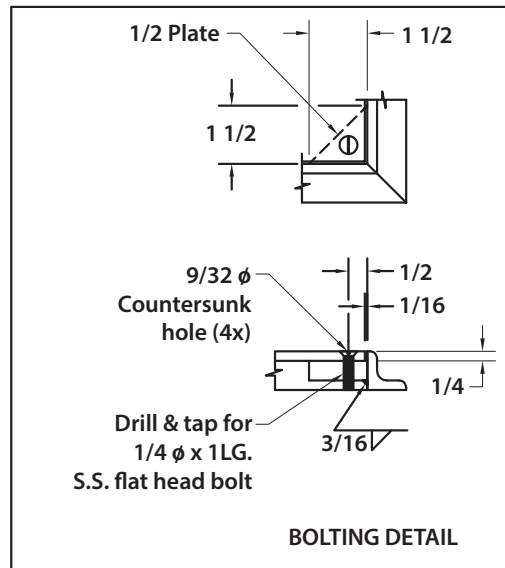
COVER & FRAME



FRAME



FRAME



BOLTING DETAIL

- NOTES:
- MATERIAL: ALUMINUM
 - LOADING: 150 LBS. PER SQ. FT.
 - 316 STAINLESS STEEL NUTS & BOLTS