



Quality Access Doors- FAST!

SUBMITTAL/TECHNICAL DATA SHEET

www.AccessDoorsAndPanels.com

STANDARD OPTIONS

- MATERIAL:**
 DOOR: Aluminum diamond plate 1/4"
 (6.35 mm)
 FRAME: 2" x 2" x 1/4" Aluminum angle
- HINGE:**
 Heavy duty aluminum continuous piano hinge (0.080")
- LOCK / LATCH:**
 4" Removable handle
- RECESS:**
 1/4" standard



SKU: **BA-RAFL**

RECESSED ALUMINUM FLOOR HATCH

WITH EXPOSED FLANGE



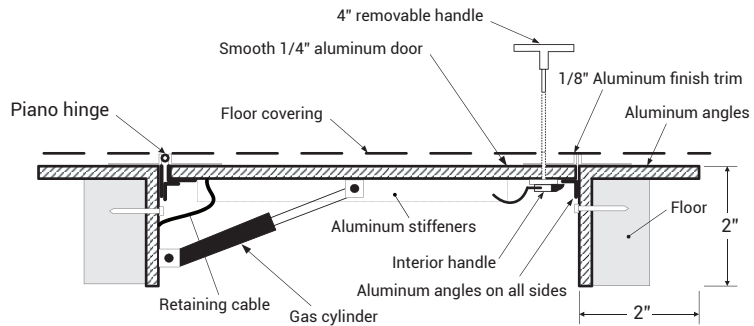
OPTIONS AVAILABLE

RECESS:
 1/8", 3/8", 1/2" and 3/4"

CAUTION:
 The PPA-RE floor access door is designed to support a live load of 300 pounds/sq.foot and includes a hold open arm to keep the door in an open position

DIMENSIONS AND APPEARANCE

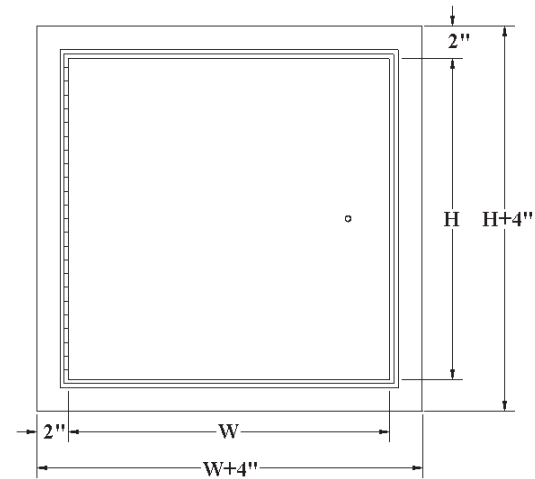
>> CLICK TO VIEW ADDITIONAL DETAILS AND PRICING <<



DIMENSIONS AND APPEARANCE

HATCH SIZE - W x H INCHES (MM)	NUMBER OF LOCKS	WEIGHT	
		LBS	KG
24 x 24 (609 x 609)	1	35	15.9
24 x 36 (609 x 914)	1	44	20

Rough floor opening is door size + 1/2" or + 13mm



Scan or Click



To view Pricing and Additional Product Info.

LEED READY: THIS PRODUCT CONTRIBUTES TO LEED® CREDITS



PROJECT DATA

Custom Sizes Available - Fast!

PROJECT NAME :	QTY	W	H	OPTIONS
ARCHITECT :				
DEALER :				
CONTRACTOR :				
LOCATION :	SPECIAL INSTRUCTIONS :			
DATE :				
TAGGING INSTRUCTIONS :	SUBMITTAL APPROVAL : (signature or stamp)			

TELEPHONE:
 1-888-457-1275

FAX:
 1-888-626-2907



PO BOX 66738 #76520,
 SAINT LOUIS, MO
 63166-6738
 USA



WEBSITE:
 www.AccessDoorsAndPanels.com

E-MAIL:
 info@AccessDoorsAndPanels.com