



Quality Access Doors - FAST!

SUBMITTAL/TECHNICAL DATA SHEET

www.AccessDoorsAndPanels.com

STANDARD OPTIONS

- MATERIAL:**
16 gauge cold rolled steel
- HINGE:**
Continuous piano hinge
- LOCK / LATCH:**
Key operated cylinder cam latch
- FINISH:**
High quality white powder coat primer
- PACKAGING:**
Individually wrapped, 1 per box



SKU: **BA-MSD**

MEDIUM SECURITY ACCESS PANEL

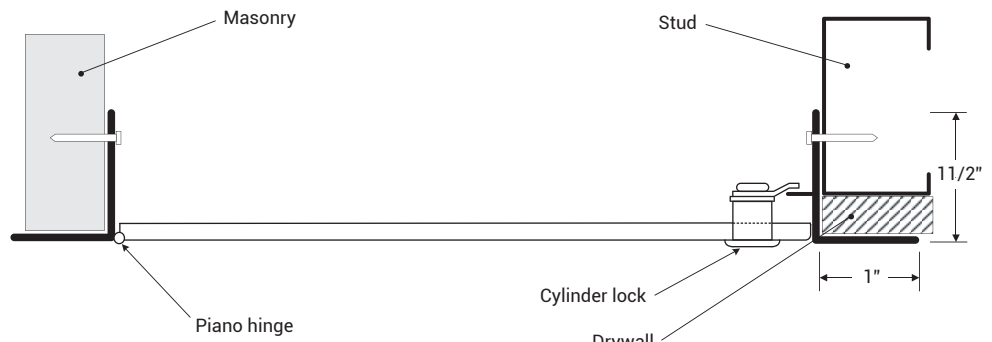


OPTIONS AVAILABLE

- LOCK / LATCH:**
- 4" Key handle operated cam latch
 - Mortise deadbolt lock
 - Pinned hex head cam latch
 - Mortise preparation for cylinder (Cylinder optional)
- MATERIAL:**
Stainless steel 304 #4 (brushed finish)

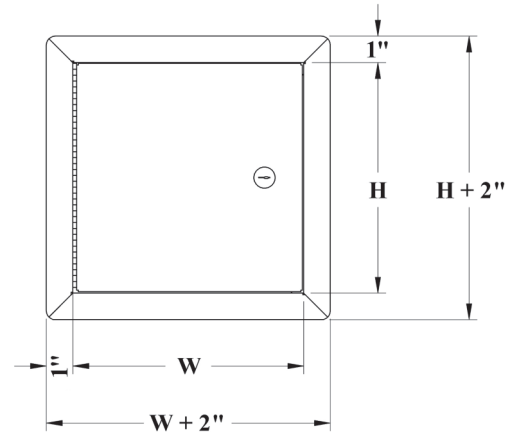
INSTALLATION

>> [CLICK TO VIEW ADDITIONAL DETAILS AND PRICING <<](#)



DIMENSIONS AND APPEARANCE

| DOOR SIZE W x H INCHES (MM) | NUMBER OF LOCKS | WEIGHT LBS | KG |
|---|--------------------|---------------|------|
| 12 x 12 (304 x 304) | 1 | 6 | 2.7 |
| 16 x 16 (406 x 406) | 1 | 7 | 3.2 |
| 18 x 18 (457 x 457) | 1 | 11 | 5 |
| 24 x 24 (609 x 609) | 1 | 19 | 8.6 |
| 24 x 30 (609 x 762) | 2 | 24 | 10.9 |
| 24 x 36 (609 x 914) | 2 | 27 | 12.2 |
| 36 x 36 (914 x 914) | 2 | 41 | 18.6 |
| Rough wall opening door size + 1/4" or +6mm | | | |



Scan or Click



To view Pricing and Additional Product Info.

LEED READY: THIS PRODUCT CONTRIBUTES TO LEED® CREDITS

PROJECT DATA

Custom Sizes Available - Fast!

| PROJECT NAME : | QTY | W | H | OPTIONS |
|------------------------|--|---|---|---------|
| ARCHITECT : | | | | |
| DEALER : | | | | |
| CONTRACTOR : | | | | |
| LOCATION : | SPECIAL INSTRUCTIONS : | | | |
| DATE : | SUBMITTAL APPROVAL : (signature or stamp) | | | |
| TAGGING INSTRUCTIONS : | | | | |



TELEPHONE:
1-888-457-1275
FAX:
1-888-626-2907



PO BOX 66738 #76520,
SAINT LOUIS, MO
63166-6738
USA



WEBSITE:
www.AccessDoorsAndPanels.com
E-MAIL:
info@AccessDoorsAndPanels.com