



Quality Access Doors - FAST!

SUBMITTAL/TECHNICAL DATA SHEET

www.AccessDoorsAndPanels.com

SKU: **BA-LO1D-PF**

HEAVY DUTY ACCESS DOOR FOR LARGE OPENINGS

WITH PLASTER BEAD FLANGE



STANDARD OPTIONS

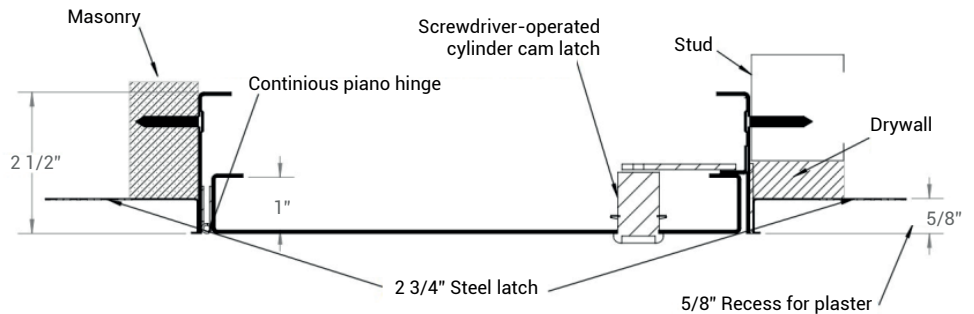
- MATERIAL:**
16 gauge cold rolled steel
- HINGE:**
Continuous piano hinge
- LOCK / LATCH:**
Screwdriver-operated cylinder cam latch
- FLANGE:**
Galvanized steel, 2 3/4 plaster bead flange
- FRAME:**
2 1/2" in depth, made of 16-gauge cold rolled steel
- FINISH:**
High quality white powder coat primer
- PACKAGING:**
• Individually wrapped
• 1 Per box

OPTIONS AVAILABLE

- MATERIAL:**
Stainless steel 304 #4 (brushed finish)
- LOCK / LATCH:**
• Key operated cylinder cam latch
• Handle operated cam latch
• Mortise preparation for cylinder (cylinder optional)
• Mortise deadbolt lock
- DESIGN:** Double leaf

INSTALLATION

>> [CLICK TO VIEW ADDITIONAL DETAILS AND PRICING <<](#)

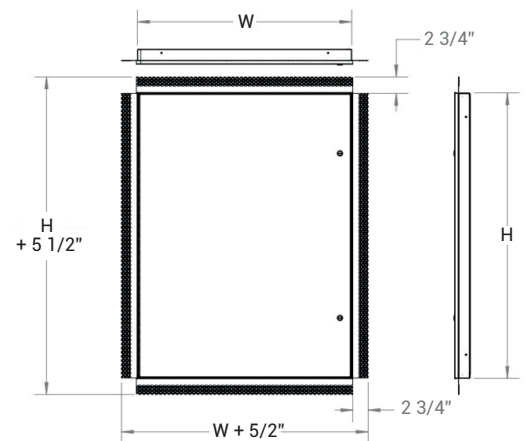


DIMENSIONS AND APPEARANCE

STANDARD SIZES:

DOOR SIZE W x H INCHES (MM)	NUMBER OF LOCKS	WEIGHT	
		LBS	KG
48 x 48 (1219 x 1219)	1	62.18	28.2

Rough wall opening = door size + 1/4" or + 6mm



Scan or Click



To view Pricing and Additional Product Info.

LEED READY: THIS PRODUCT CONTRIBUTES TO LEED® CREDITS

PROJECT DATA

Custom Sizes Available - Fast!

PROJECT NAME :	QTY	W	H	OPTIONS
ARCHITECT :				
DEALER :				
CONTRACTOR :				
LOCATION :	SPECIAL INSTRUCTIONS :			
DATE :	SUBMITTAL APPROVAL : (signature or stamp)			
TAGGING INSTRUCTIONS :				



TELEPHONE:
1-888-457-1275
FAX:
1-888-626-2907



PO BOX 66738 #76520,
SAINT LOUIS, MO
63166-6738
USA



WEBSITE:
www.AccessDoorsAndPanels.com
E-MAIL:
info@AccessDoorsAndPanels.com