



Quality Access Doors- FAST!

# SUBMITTAL/TECHNICAL DATA SHEET

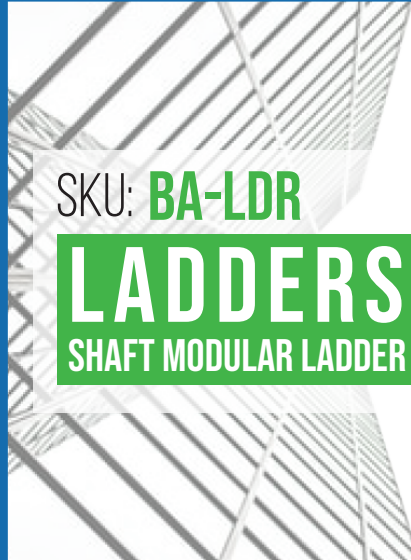
[www.AccessDoorsAndPanels.com](http://www.AccessDoorsAndPanels.com)

## COMPONENT SYSTEM

Create the desired length using 4 ft. & 5 ft. Ladder modules along with a variety of accessories & mounting options.

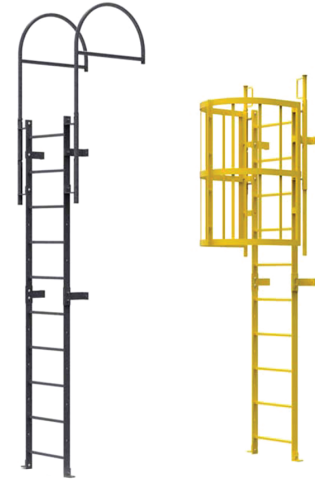
## FEATURES

- Provides safe, easy & economic access
- Ladders Flat Packed Kit with rapid delivery
- Modular design serving multitude of length requirements
- Easy to store & install
- Assembled on site, no special tools necessary
- Non-slip Rungs ensure secure footholds & handholds
- Standard Finish is Safety Yellow Painted, also available in Galvanized finish
- OSHA Compliant Ladder



SKU: **BA-LDR**

## LADDERS - FIXED SHAFT MODULAR LADDER SYSTEM



## DIMENSIONS AND APPEARANCE

>> CLICK TO VIEW ADDITIONAL DETAILS AND PRICING <<

### LADDER:

Material: Steel ASTM A36  
Stringers: LAD-H: 2 1/2" x 3/8"  
Rungs: LAD-H: 1" dia  
Ladder Width: 20" inside  
Length: 4' & 5' (special lengths available on request)  
Weight: LAD-H: 10.5 Lbs/ft

### CAGE:

Material: Steel ASTM A36  
Hoops: 2" x 1/4" Th.  
Straps: 1" x 3/16" Th.  
Weight: 8 Lbs/ft  
Height: 48"

### TELESCOPIC SAFETY UPSTAND:

Material: Steel ASTM A36  
Extended height: 40" from top rung

### LANDING GUIDE RAIL:

Material: Steel ASTM A36  
Extended height: 42" from top rung

### HINGED GATE:

Material: 12 Ga. Steel ASTM A36  
Height: 7'

### NOTE:

All application requirements are different depending on site conditions. We provided our Ladder System in modular parts to allow a perfect fit for all uses. All components are sold separately. See a parts list and sample reference on the back of this page.



Optional: Hinged Gate

MANUFACTURED BY ACUDOR

For a complete list of options visit [www.AccessDoorsAndPanels.com](http://www.AccessDoorsAndPanels.com)

## PROJECT DATA

Custom Sizes Available - Fast!

Scan or Click



To view Pricing and Additional Product Info.

PROJECT NAME :	QTY	W	H	OPTIONS
ARCHITECT :				
DEALER :				
CONTRACTOR :				
LOCATION :	SPECIAL INSTRUCTIONS :			
DATE :	SUBMITTAL APPROVAL : (signature or stamp)			
TAGGING INSTRUCTIONS :				

TELEPHONE:  
1-888-457-1275  
FAX:  
1-888-626-2907



PO BOX 66738 #76520,  
SAINT LOUIS, MO  
63166-6738  
USA

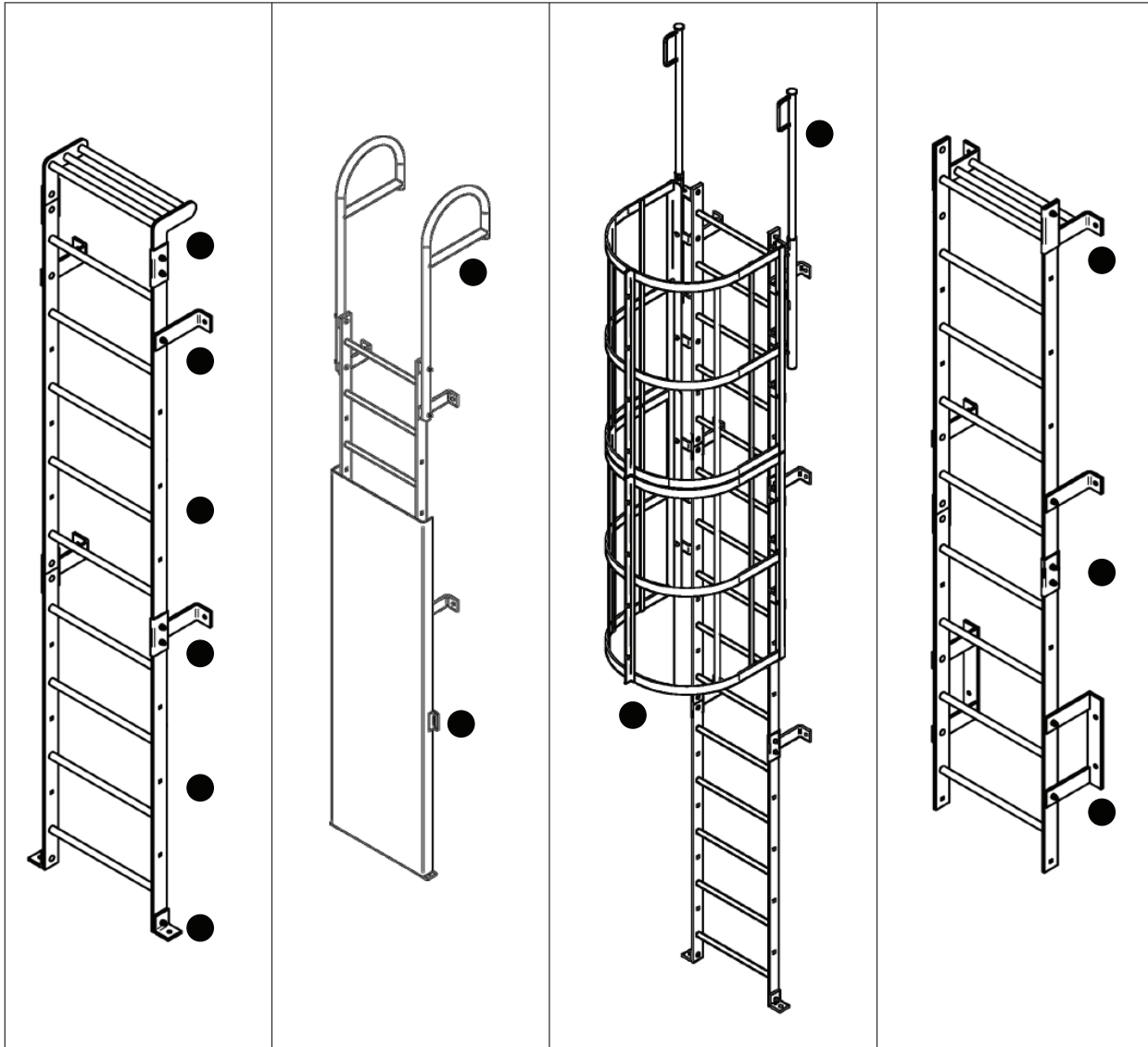


WEBSITE:  
[www.AccessDoorsAndPanels.com](http://www.AccessDoorsAndPanels.com)  
E-MAIL:  
[info@AccessDoorsAndPanels.com](mailto:info@AccessDoorsAndPanels.com)



# BA-LDR

# FIXED SHAFT MODULAR LADDER SYSTEM - PARTS GUIDE



Sample configurations shown above are for illustrative purposes only. All components are sold separately

**MANUFACTURED BY ACUDOR**

ITEM	DESCRIPTION	PART#
01	Interior Landing Step c/w hardware *	LAD-LS-1
02	Wall Bracket c/w hardware * (8 1/2" x 5/16")	LAD-WB-1
03	4'L Ladder	LAD-H-4
	5'L Ladder	LAD-H-5
04	Wall Bracket Splice c/w hardware * (8 1/2" x 5/16")	LAD-WBS-1
05	Floor Bracket c/w hardware * (2 3/4" x 2 3/4" x 5/16")	LAD-FB-1
06	4'Landing Guide Rail c/w mounting hardware *	LAD-LG-1

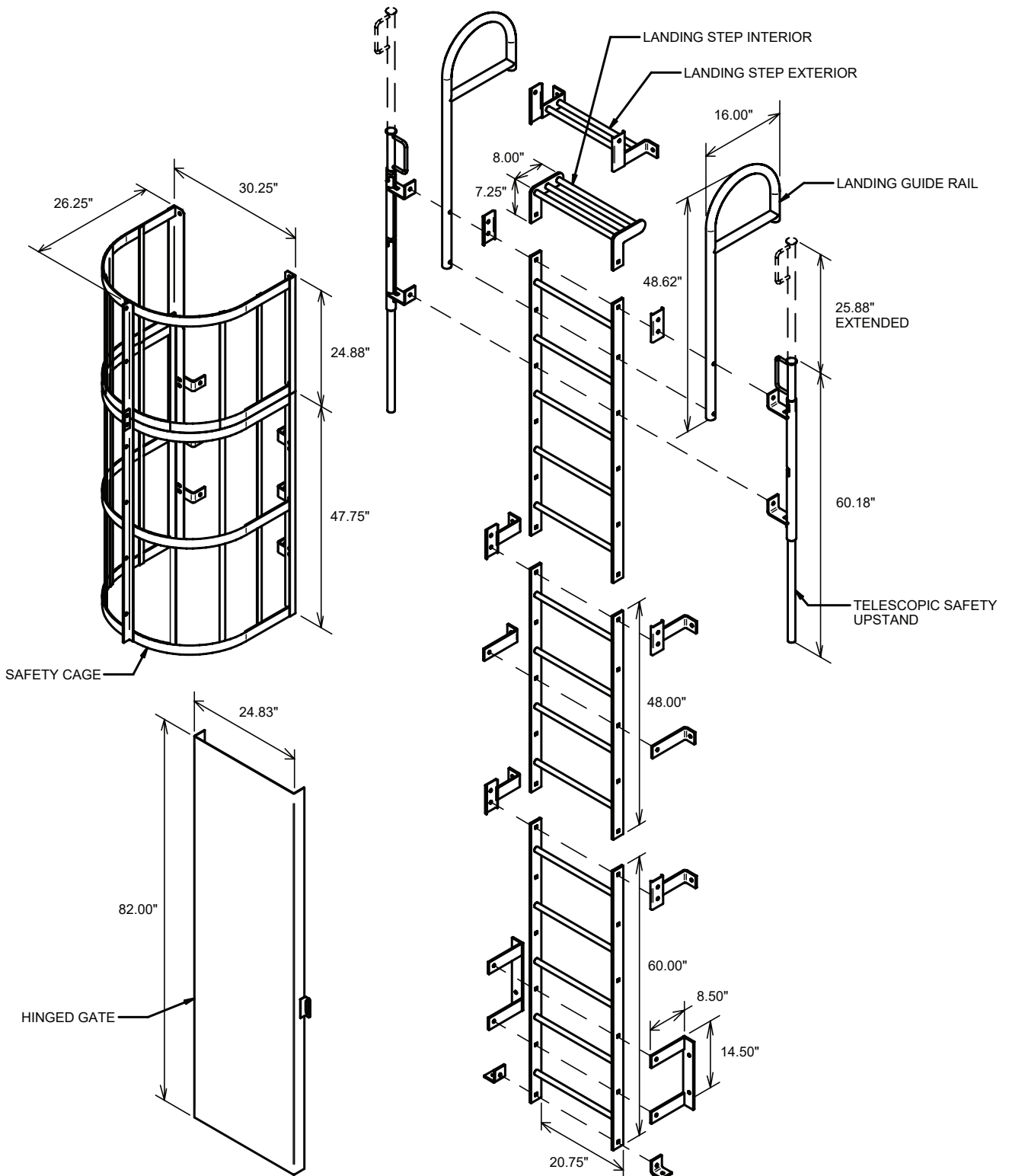
ITEM	DESCRIPTION	PART#
07	7' Hinged Gate c/w Hinges, Lock Hasp & hardware*	LAD-HG-1
08	Telescoping Safety Upstand c/w hardware * (2')	LAD-TSPU-2
09	48" Safety Cage c/w hardware *	LAD-CG-1
10	Exterior Landing Step c/w hardware *	LAD-LS-2
11	Splice Plate c/w hardware * (10 Ga)	LAD-SP-1
12	Off-Floor Wall Bracket c/w hardware * (8 1/2" x 14 1/2" x 5/16")	LAD-WBO-2

Additional component material specifications available on request

\* All mounting hardware mounts parts to ladder and not ladder to the wall or floor. Carriage Bolts ( 1/2-13 x 1 1/2") are included

# BA-LDR

# FIXED SHAFT MODULAR LADDER SYSTEM - PARTS GUIDE



HEAVY DUTY LADDER (2-1/2" X 3/8" STRINGER, 1" DIA. RUNG)  
STANDARD LADDER MODULES: 48.00" AND 60.00" (CAN COMBINE TO DIFFERENT LENGTHS)  
FINISH: POWDER COATED TO SAFELY YELLOW AND GALVANIZED

MANUFACTURED BY ACUDOR