



Quality Access Doors - FAST!

# SUBMITTAL/TECHNICAL DATA SHEET

[www.AccessDoorsAndPanels.com](http://www.AccessDoorsAndPanels.com)

## APPLICATION

Designed for interior and exterior applications that require an access opening that will blend in with the surrounding floor material

## FEATURES

- Recessed 1" to accommodate ceramic tile/concrete flooring
- Door panel is equipped with a flush aluminum drop handle and an automatic hold open arm

## SPECIFICATIONS

**MATERIAL:** Aluminum door and frame; stainless steel hinges and hardware

**DOOR:** 1/4" smooth aluminum plate reinforced for live load of 300 lb/sq. ft. Extruded edging is welded to door panel, providing a 1" recess

**FRAME:** Channel frame fabricated from aluminum extrusion with 1 1/2" drainage coupling and integral 1" anchor flange

**HINGE:** Stainless steel continuous piano hinge

**OPENING DEVICE:** Automatic Hold-Open Arm with red vinyl grip allows door panel to open to 90 degrees, locking door in open position, and allowing for easy control when closing door panel. Stainless Steel Open Compression Springs provide lift assist. Available with electrical actuators, operated by wall mounted push button switch, and remote control

**STANDARD LATCH:** Stainless steel slam lock with a fixed inside handle, removable outside handle, and removable threaded plug

**FINISH:** Mill finish with bituminous coating applied to exterior of frame

For a complete list of options visit [www.AccessDoorsAndPanels.com](http://www.AccessDoorsAndPanels.com)

SKU: **BA-HFRC-1**

## FLOOR DOOR

RECESSED 1" FOR CERAMIC TILE/CONCRETE

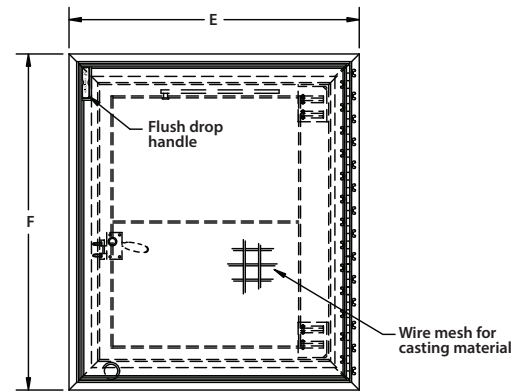


## DIMENSIONS AND APPEARANCE

>> CLICK TO VIEW ADDITIONAL DETAILS AND PRICING <<

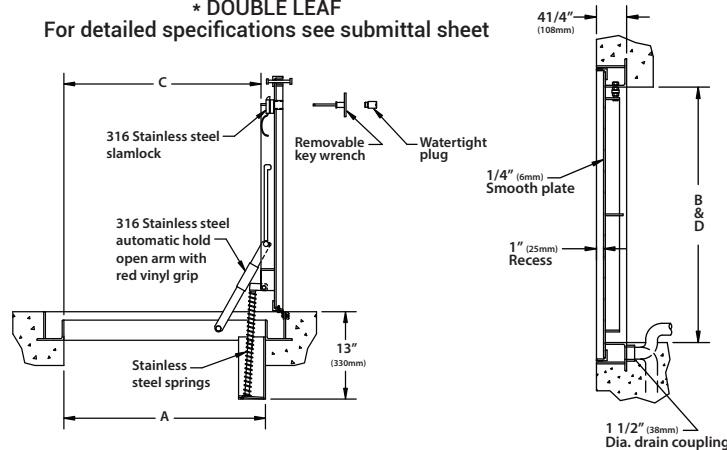
### STANDARD SIZES:

DOOR SIZE W x H INCHES (MM)	WEIGHT	
	LBS	KG
24 x 24 (610 x 610)	70	32
24 x 30 (610 x 762)	80	37
24 x 36 (610 x 914)	90	41
30 x 30 (762 x 762)	110	50
30 x 36 (762 x 914)	100	45
36 x 36 (914 x 914)	115	52
42 x 42 (1067 x 1067)	140	64
*48 x 48 (1220 x 1220)	195	89
*48 x 72 (1220 x 1829)	265	120
*60 x 60 (1524 x 1524)	275	125

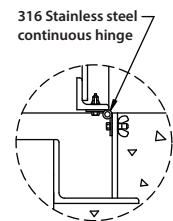


MANUFACTURED BY ACUDOR

### \* DOUBLE LEAF For detailed specifications see submittal sheet



- NOTES:
- MATERIAL: ALUMINUM WITH SPRINGS, 316 STAINLESS STEEL NUTS & BOLTS, SLAMLOCK, HINGES AND HOLD OPEN ARM.
  - LOADING: 300 LBS. PER SQ. FOOT (1464 KG. PER SQ. M)
  - BITUMINOUS COATING IS APPLIED TO AREA OF FRAME IN CONTACT WITH CONCRETE.



## PROJECT DATA

Custom Sizes Available - Fast!

Scan or Click



To view Pricing and Additional Product Info.

PROJECT NAME :	QTY	W	H	OPTIONS
ARCHITECT :				
DEALER :				
CONTRACTOR :				
LOCATION :	SPECIAL INSTRUCTIONS :			
DATE :	SUBMITTAL APPROVAL : (signature or stamp)			
TAGGING INSTRUCTIONS :				

TELEPHONE:  
1-888-457-1275  
FAX:  
1-888-626-2907



PO BOX 66738 #76520,  
SAINT LOUIS, MO  
63166-6738  
USA

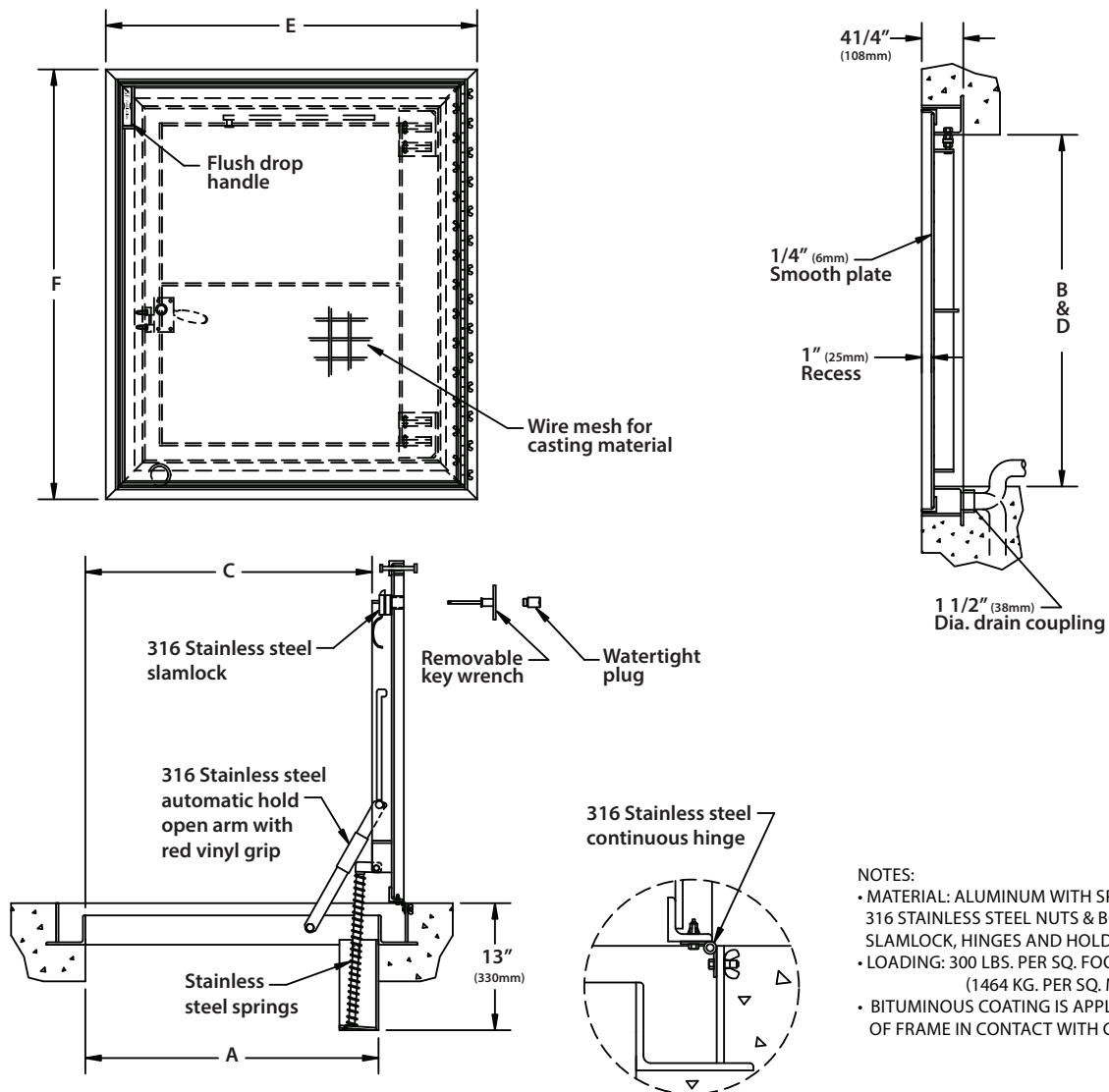


WEBSITE:  
[www.AccessDoorsAndPanels.com](http://www.AccessDoorsAndPanels.com)  
E-MAIL:  
[info@AccessDoorsAndPanels.com](mailto:info@AccessDoorsAndPanels.com)

# BA-HFRC-1

## 1" RECESSED FOR CERAMIC TILE/ CONCRETE FLOOR DOOR - SINGLE LEAF

NOMINAL DOOR SIZE	FRAME OPENING		CLEAR OPENING		OVERALL SIZE		WEIGHT
in. (mm)	A in. (mm)	B in. (mm)	C in. (mm)	D in. (mm)	E in. (mm)	F in. (mm)	LBS. (KG)
24 x 24 (610 x 610)	24 (610)	24 (610)	23 (584)	24 (610)	32 (813)	32 (813)	70 (32)
24 x 30 (610 x 762)	24 (610)	30 (762)	23 (584)	30 (762)	32 (813)	38 (965)	80 (37)
24 x 36 (610 x 914)	24 (610)	36 (914)	23 (584)	36 (914)	32 (813)	44 (1118)	90 (41)
30 x 30 (762 x 762)	30 (762)	30 (762)	28 (711)	30 (762)	38 (965)	38 (965)	110 (50)
30 x 36 (762 x 914)	30 (762)	36 (762)	28 (711)	36 (762)	38 (965)	44 (1118)	100 (45)
36 x 36 (914 x 914)	36 (914)	36 (762)	34 (864)	36 (762)	44 (1118)	44 (1118)	115 (52)
42 x 42 (1067 x 1067)	42 (1067)	42 (1067)	40 (1016)	42 (1067)	50 (1270)	50 (1270)	140 (64)



- NOTES:
- MATERIAL: ALUMINUM WITH SPRINGS, 316 STAINLESS STEEL NUTS & BOLTS, SLAMLOCK, HINGES AND HOLD OPEN ARM.
  - LOADING: 300 LBS. PER SQ. FOOT (1464 KG. PER SQ. M)
  - BITUMINOUS COATING IS APPLIED TO AREA OF FRAME IN CONTACT WITH CONCRETE.