



Quality Access Doors- FAST!

SUBMITTAL/TECHNICAL DATA SHEET

www.AccessDoorsAndPanels.com

APPLICATION

BA-GSV Smoke Vents are designed to provide an economical solution for fire ventilation by removing deadly smoke, heat, and gases from a burning building. Single leaf Smoke Vents are used for smaller areas that need venting, including elevator shafts and stairwells. Single leaf units are not U.L. Listed

FEATURES

- 14 gauge G90 Galvanized Steel
- 12" high insulated curb
- High performance gas springs
- Inside and Outside manual release
- UL Listed Fusible or McCabe Resettable Links

SPECIFICATIONS

COVER: Double-skin construction ("in box type design") with 1" cellulose insulation and a continuous EPDM foam weather/draft seal gasket that is attached to the inside of cover to provide a flush, tight fit. Designed to support a live load of 40lbs./sq. ft., the cover is 14 gauge galvanized steel with a 22 gauge galvanized steel inside liner

CURB: 14 gauge galvanized steel with 1" thick fiberboard roof insulation at curb exterior. Curb is 12" high, with 3.375" wide bottom flange and pre-drilled mounting holes

HINGE: Heavy duty galvanized steel with 3/8" pin

OPENING: Gas spring operators allow cover to open and close with ease. Inside and outside release allows for manual lid operation

DOOR LATCH: Self latching Slam Latch. Supplied standard with 165° UL Listed Fusible Link. Resettable McCabe link available

FINISH: Galvanized Steel: baked on polyester enamel paint

SKU: **BA-GSV**

SMOKE VENT GALVANIZED



DIMENSIONS AND APPEARANCE

>> [CLICK TO VIEW ADDITIONAL DETAILS AND PRICING](#) <<

MODEL	CURB ID L&W INCHES (MM)	WEIGHT	
		LBS	KG
SVG2424	24 x 24 (610 x 610)	125	56.8
SVG2436	24 x 36 (610 x 914)	135	61.4
SVG3030	30 x 30 (762 x 762)	140	63.5
SVG3036	30 x 36 (762 x 914)	155	70.5
SVG3096	36 x 96 (762 x 2438)	387	175.5
SVG3636	36 x 36 (914 x 914)	170	77.3
SVG4848	48 x 48 (1219 x 1219)	221	100.2

OPTIONAL FEATURES

- Curb mount or Metal Building Flange
- Double-Dome Co-Polyester lids for daylighting
- Louvered curb for ventilation

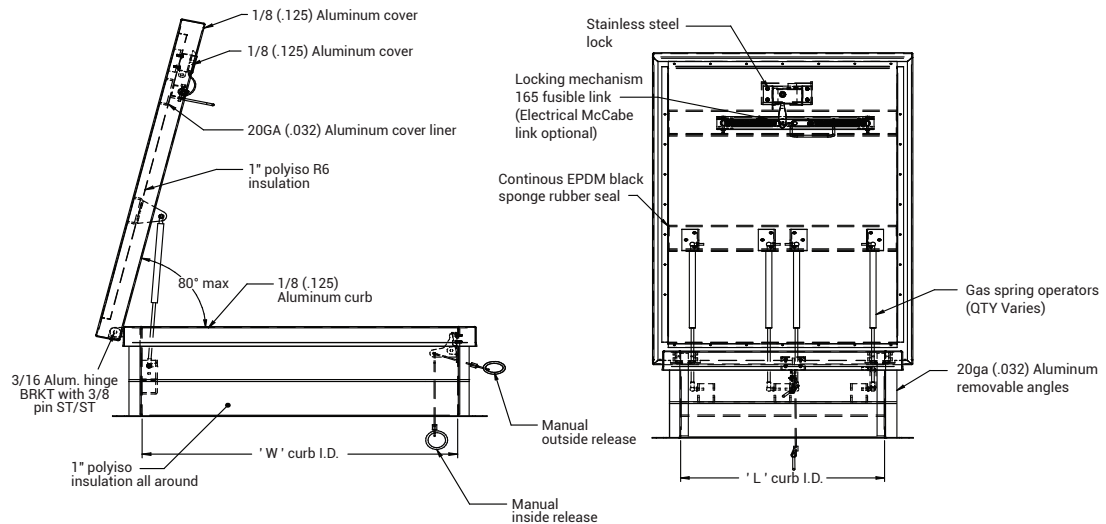
ASSEMBLY NOTE:

Unit shall be completely assembled as shown and supplied to job ready for installation

FINISH: Mill

For detailed specifications see submittal sheet

MANUFACTURED BY ACUDOR



PROJECT DATA

Custom Sizes Available - Fast!

Scan or Click



To view Pricing and Additional Product Info.

PROJECT NAME :	QTY	W	H	OPTIONS
ARCHITECT :				
DEALER :				
CONTRACTOR :				
LOCATION :	SPECIAL INSTRUCTIONS :			
DATE :				
TAGGING INSTRUCTIONS :	SUBMITTAL APPROVAL : (signature or stamp)			

TELEPHONE:
1-888-457-1275
FAX:
1-888-626-2907



PO BOX 66738 #76520,
SAINT LOUIS, MO
63166-6738
USA

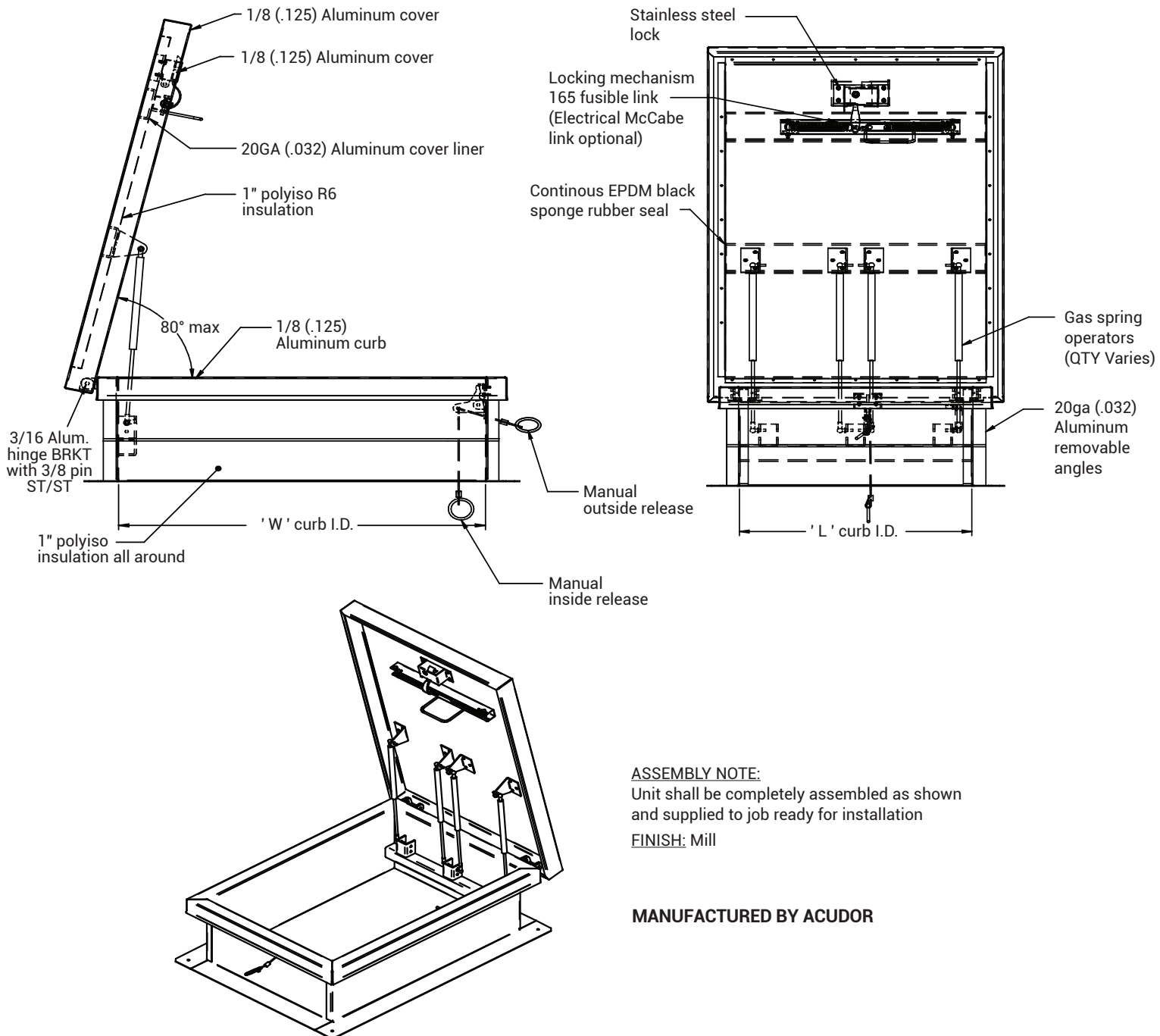


WEBSITE:
www.AccessDoorsAndPanels.com
E-MAIL:
info@AccessDoorsAndPanels.com

BA-GSV

SMOKE VENT - GALVANIZED

QTY	OPENING WIDTH 'W'	OPENING LENGTH 'L'	QTY	OPENING WIDTH 'W'	OPENING LENGTH 'L'
	24" (610mm)	24" (610mm)		36" (914mm)	30" (762mm)
	36" (914mm)	24" (610mm)		36" (914mm)	36" (914mm)
	30" (762mm)	30" (762mm)			



ASSEMBLY NOTE:
Unit shall be completely assembled as shown and supplied to job ready for installation
FINISH: Mill

MANUFACTURED BY ACUDOR