



Quality Access Doors - FAST!

SUBMITTAL/TECHNICAL DATA SHEET

www.AccessDoorsAndPanels.com



SKU: **BA-FRI-SS**

FIRE RATED INSULATED ACCESS DOOR

FOR ALL SURFACE TYPES

STANDARD OPTIONS

- MATERIAL:**
16 gauge cold rolled steel frame & 20 gauge galvaneal steel door
- HINGE:**
Continuous piano hinge
- INSULATION:**
Mineral wool
- LOCK / LATCH:**
Self latching tool-key operated slam latch and/or ring operated slam latch, both included
- INSIDE PANEL RELEASE:**
Standard on all doors over 12" x 12"
- AUTOMATIC PANEL CLOSER:**
Standard on all doors
- FINISH:**
Stainless steel 304 #4 (brushed finish)
- PACKAGING:**
Individually wrapped, 1 per box

OPTIONS AVAILABLE

- LOCK / LATCH:**
- Mortise deadbolt lock
 - Hex head slam latch
 - Handle operated slam latch
 - Mortise preparation for cylinder (cylinder optional)
- MATERIAL:**
Stainless steel #4 (brushed finish)
- MASONRY ANCHOR:**
Available on all sizes

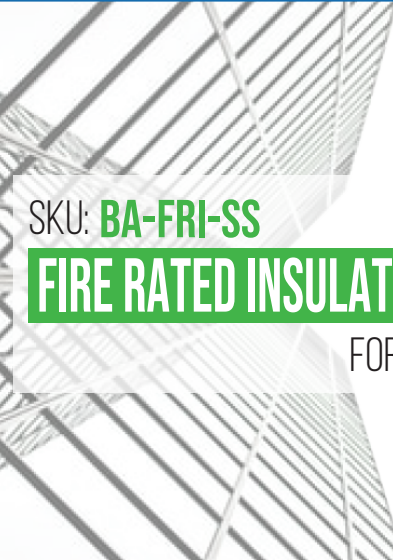
Fire Rating information on Page 2

Scan or Click



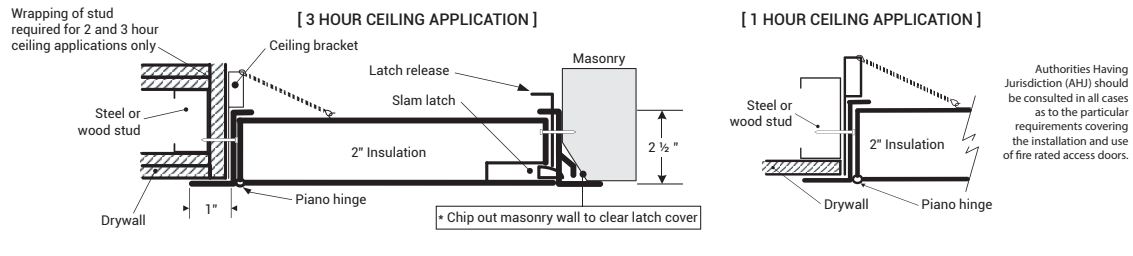
To view Pricing and Additional Product Info.

LEED READY: THIS PRODUCT CONTRIBUTES TO LEED® CREDITS



INSTALLATION

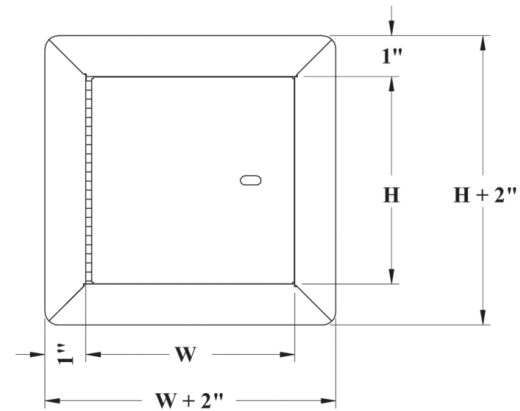
>> CLICK TO VIEW ADDITIONAL DETAILS AND PRICING <<



DIMENSIONS AND APPEARANCE

STANDARD SIZES:

DOOR SIZE W x H INCHES (MM)	NUMBER OF LOCKS	WEIGHT	
		LBS	KG
8 x 8 (203 x 203)	1	7	3.2
10 x 10 (254 x 254)	1	8	3.6
12 x 12 (304 x 304)	1	10	4.5
14 x 14 (355 x 355)	1	12	5.4
16 x 16 (406 x 406)	1	14	6.4
18 x 18 (457 x 457)	1	17	7.7
22 x 22 (558 x 558)	1	20	9.1
22 x 30 (558 x 762)	1	30	13.6
22 x 36 (558 x 914)	2	34	15.5
24 x 24 (609 x 609)	1	28	12.7
24 x 36 (609 x 914)	2	36	16.4
* 24 x 48 (609 x 1219)	2	48	21.8
* 30 x 30 (762 x 762)	1	40	18.1
* 32 x 32 (812 x 812)	2	43	19.5
* 36 x 36 (914 x 914)	2	50	22.7
* 48 x 48 (1219 x 1219)	2	83	37.7



ROUGH WALL OPENING IS DOOR SIZE + 1/4" OR + 6MM

* Not available for ceiling rating (maximum 24"x36")

PROJECT DATA

Custom Sizes Available - Fast!

PROJECT NAME :	QTY	W	H	OPTIONS
ARCHITECT :				
DEALER :				
CONTRACTOR :				
LOCATION :	SPECIAL INSTRUCTIONS :			
DATE :				
TAGGING INSTRUCTIONS :	SUBMITTAL APPROVAL : (signature or stamp)			



TELEPHONE:
1-888-457-1275
FAX:
1-888-626-2907



PO BOX 66738 #76520,
SAINT LOUIS, MO
63166-6738
USA



WEBSITE:
www.AccessDoorsAndPanels.com
E-MAIL:
info@AccessDoorsAndPanels.com

■ FIRE RATING

FOR INSTALLATION IN VERTICAL WALL ASSEMBLIES:
 CERTIFIED TO STANDARDS: UBC 7-2 (1997), UL 10B (1997),
 UL 10B (2009), NFPA 252 (2003), NFPA 252 (2008), NFPA 252
 (2012), CAN/ULC S104 (R1985), CAN/ULC S104 (2010).
 RATING ACHIEVED: 3 hours, neutral/negative pressure.
 MAXIMUM SIZE: 48" wide x 48" high (1219 mm x 1219 mm).
 Maximum area of 2304 in²

Tolerance on height and width limitation is ± 3" (76 mm)
 as long as the area does not exceed 2304 in²

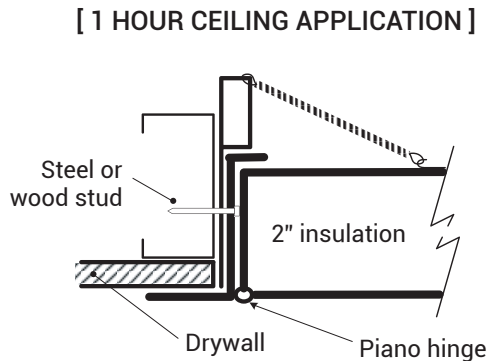
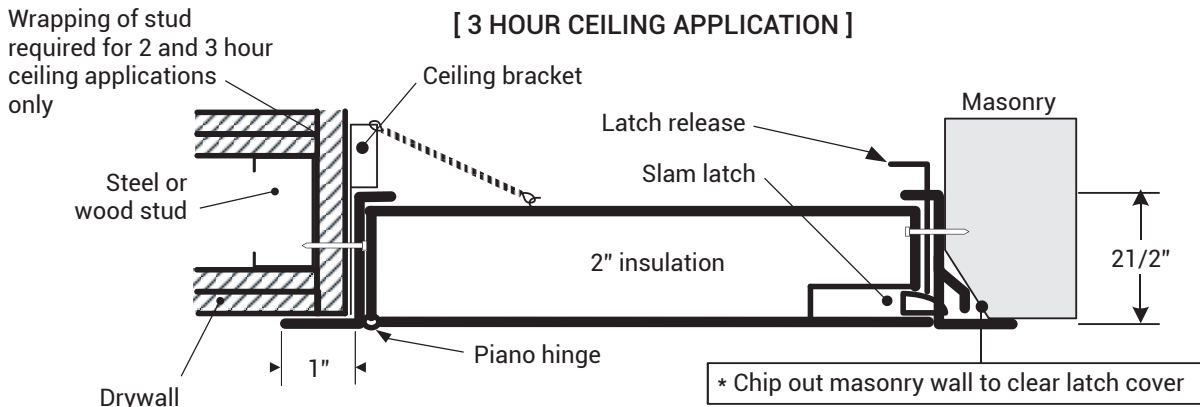
TEMPERATURE RISE: 250°F (121°C) after 30 min. 450°F (232°C)
 after 60 min.

FOR INSTALLATION IN HORIZONTAL CEILING ASSEMBLIES:
 CERTIFIED TO STANDARDS: ASTM E119 (2012), CAN/ULC S101
 (2007).
 RATING ACHIEVED: 3 hours in non-combustible construction.
 1 hour in combustible construction.
 MAXIMUM SIZE: 24" x 36" (hinges & latch on 36" long sides) (610
 mm x 914 mm).

Tolerances on dimension limitations are ± 3" (76 mm)
 as long as the area does not exceed 864 in²

TEMPERATURE RISE: Not applicable.

■ INSTALLATION: WALLS AND CEILINGS



Authorities Having Jurisdiction (AHJ) should be consulted in all cases as to the particular requirements covering the installation and use of fire rated access doors.



TELEPHONE:
 1-888-457-1275
 FAX:
 1-888-626-2907



PO BOX 66738 #76520,
 SAINT LOUIS, MO
 63166-6738
 USA



WEBSITE:
www.AccessDoorsAndPanels.com
 E-MAIL:
info@AccessDoorsAndPanels.com